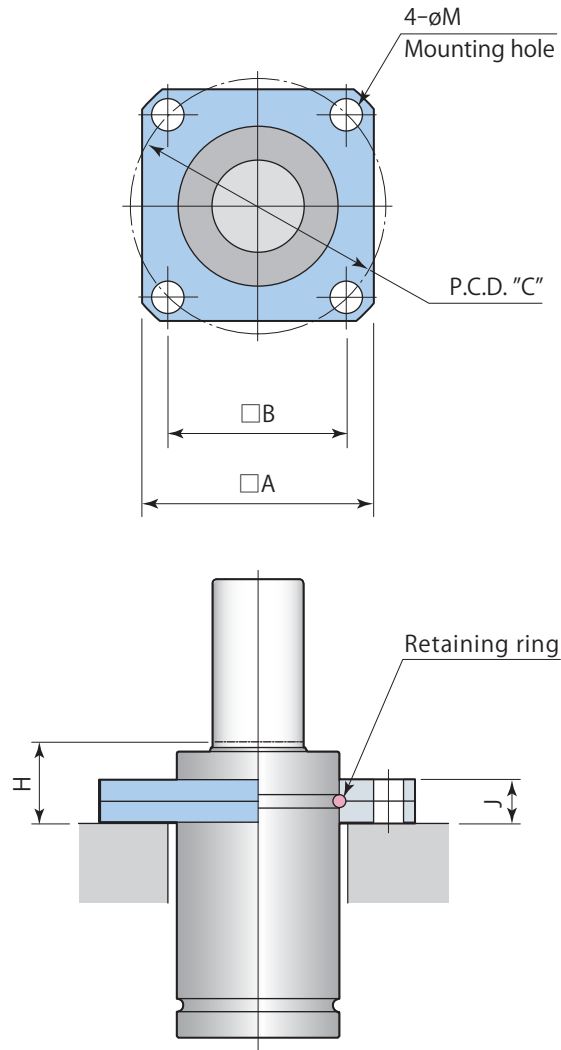


Note: Fc flanges are designed with sufficient strength to accommodate the loading.  
(The flange should support the load by its full mounting face, and should be mounted by 4 screws.)

Gas spring model	Flange model	B mm	C mm	D mm	H mm	J mm	M mm	Mass kg
<b>DNF0750</b>	DJF050-FC	56.5	80	95	22	13	9	0.50
<b>DNF1200</b>	DJF063-FC	73.5	104	122	27	16	11	1.03
<b>DNF2000</b>	DJF075-FC	73.5	104	122	29	16	11	0.88
<b>DNF3000</b>	DJF095-FC	92	130	150	33	18	14	1.44

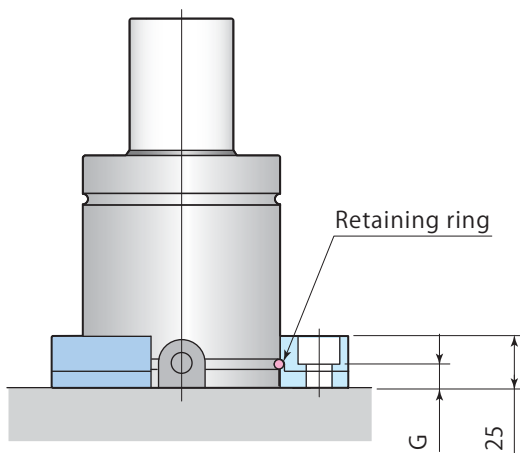
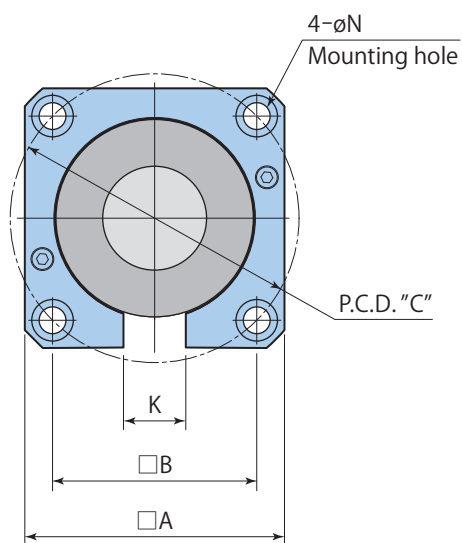
Flange mounting screws are not furnished.



Note: Fs flanges are designed with sufficient strength to accommodate the loading.  
(The flange should support the load by its full mounting face, and should be mounted by 4 screws.)

Gas spring model	Flange model	A mm	B mm	C mm	H mm	J mm	M mm	Mass kg
DNF0750	DJF050-FS	70	56.5	80	22	13	9	0.30
DNF1200	DJF063-FS	90	73.5	104	27	16	11	0.60
DNF2000	DJF075-FS	90	73.5	104	29	16	11	0.44
DNF3000	DJF095-FS	110	92	130	33	18	14	0.65

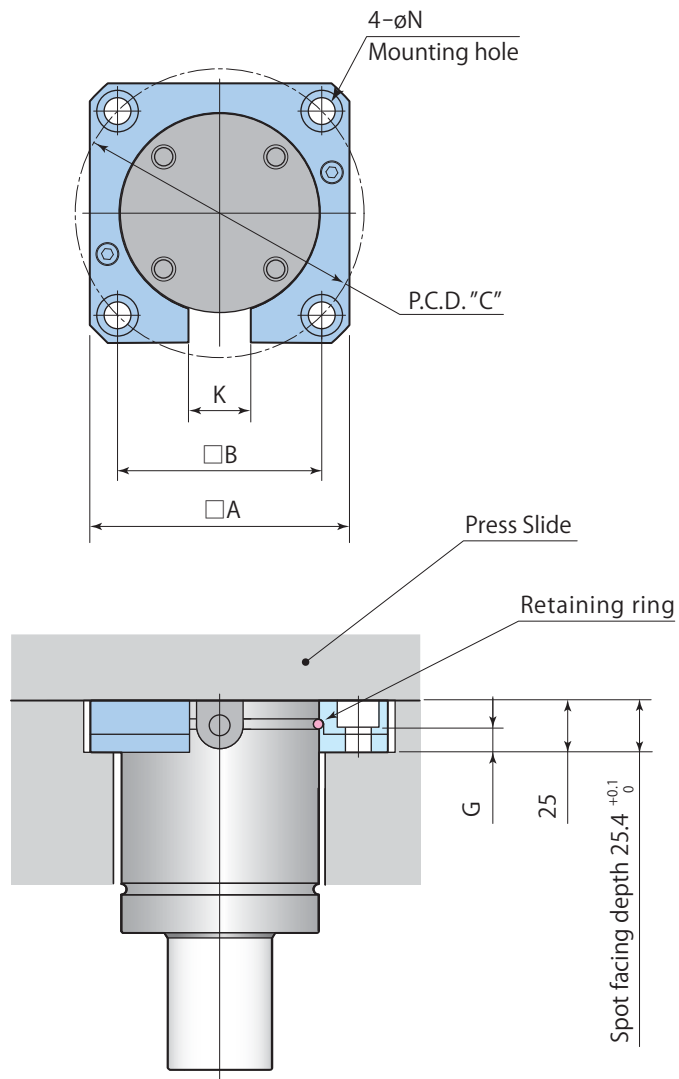
Flange mounting screws are not furnished.



Note: The cylinder should be backed up fully at the bottom face.

Gas spring model	Flange model	A mm	B mm	C mm	G mm	K mm	N mm	Mass kg
DNF0750	DJF050-BU	75	53.9	76.2	14.5	30	11	0.50
DNF1200	DJF063-BU	100	73.5	104	14.5	30	11	1.10
DNF2000	DJF075-BU	100	76.2	107.8	12.5	30	14	0.81
DNF3000	DJF095-BU	125	98.3	139	12.5	30	14	1.40

Flange mounting screws are not furnished.



Note: The cylinder should be backed up fully at the bottom face.

Gas spring model	Flange model	A mm	B mm	C mm	G mm	K mm	N mm	Mass kg
DNF0750	DJF050-BL	75	53.9	76.2	14.5	30	11	0.50
DNF1200	DJF063-BL	100	73.5	104	14.5	30	11	1.10
DNF2000	DJF075-BL	100	76.2	107.8	12.5	30	14	0.81
DNF3000	DJF095-BL	125	98.3	139	12.5	30	14	1.40

Flange mounting screws are not furnished.