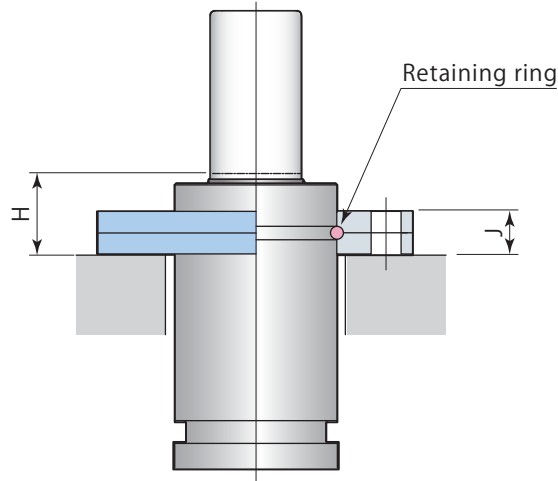
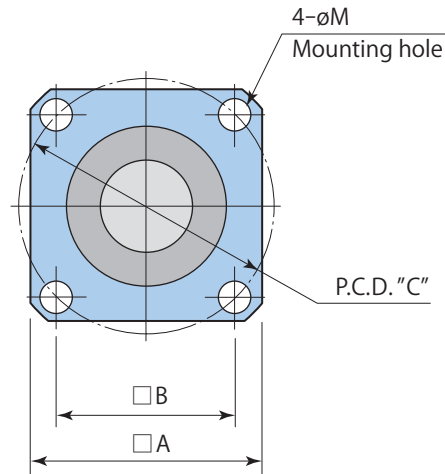


Note: Fc flanges are designed with sufficient strength to accommodate the loading.
(The flange should support the load by its full mounting face, and should be mounted by 4 screws.)

Gas spring model	Flange model	B mm	C mm	D mm	H mm	J mm	M mm	Mass kg
DNR0350	DJF032-FC	35	49.5	60	17	9	6.8	0.13
DNR0500	DJF038-FC	40	56.5	68	17	9	6.8	0.17
DNR0750	DJF045-FC	50	70.7	86	22	13	9	0.40
DNR1000	DJF050-FC	56.5	80	95	22	13	9	0.50
DNR1500	DJF063-FC	73.5	104	122	27	16	11	1.03
DNR2400	DJF075-FC	73.5	104	122	29	16	11	0.88
DNR4200	DJF095-FC	92	130	150	33	18	14	1.44
DNR6600	DJF120-FC	109.5	155	175	36	21	14	2.03
DNR9500	※ DJF150-FC	138	195	220	41	27	18	4.13

※ made to order

Flange mounting screws are not furnished.

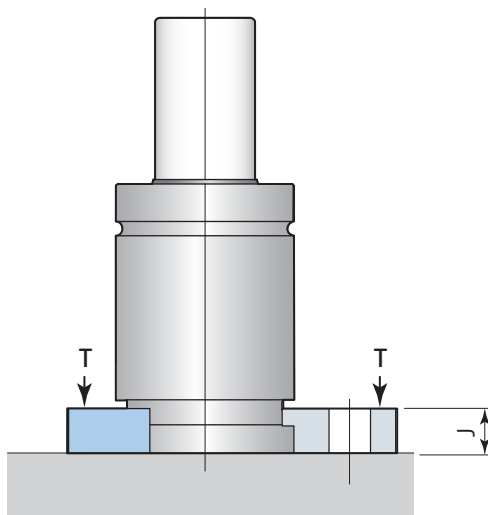
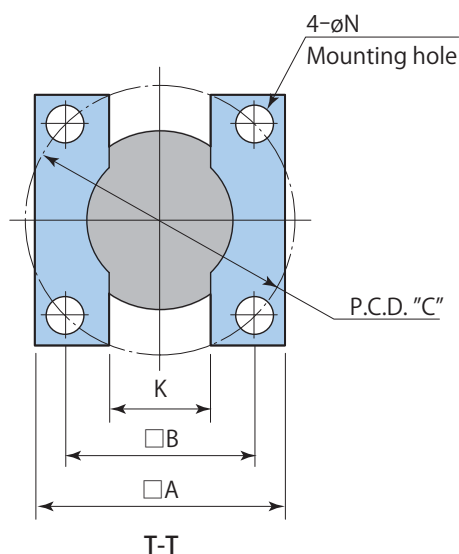


Note: Fs flanges are designed with sufficient strength to accommodate the loading.
(The flange should support the load by its full mounting face, and should be mounted by 4 screws.)

Gas spring model	Flange model	A mm	B mm	C mm	H mm	J mm	M mm	Mass kg
DNR0350	DJF032-FS	45	35	49.5	17	9	6.8	0.10
DNR0500	DJF038-FS	52	40	56.5	17	9	6.8	0.12
DNR0750	DJF045-FS	64	50	70.7	22	13	9	0.25
DNR1000	DJF050-FS	70	56.5	80	22	13	9	0.30
DNR1500	DJF063-FS	90	73.5	104	27	16	11	0.60
DNR2400	DJF075-FS	90	73.5	104	29	16	11	0.44
DNR4200	DJF095-FS	110	92	130	33	18	14	0.65
DNR6600	DJF120-FS	130	109.5	155	36	21	14	0.85
DNR9500	※ DJF150-FS	162	138	195	41	27	18	1.60

※made to order

Flange mounting screws are not furnished.

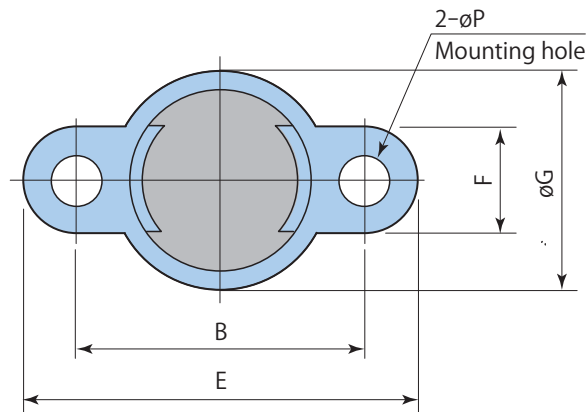


Note: The cylinder should be backed up fully at the bottom face.

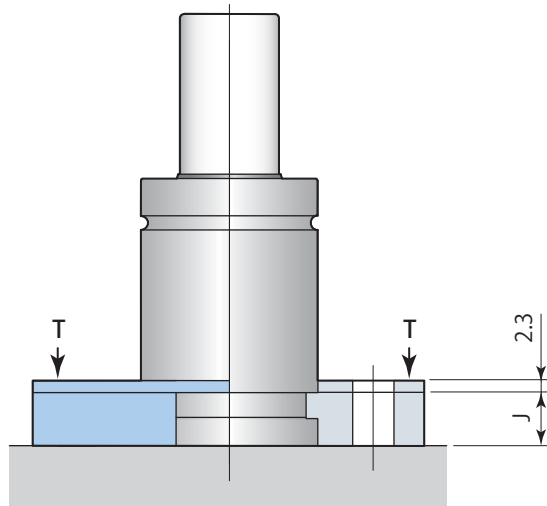
Gas spring model	Flange model	A mm	B mm	C mm	J mm	K mm	N mm	Mass kg
DNR0350	DJF032-SC	50	35	49.5	6	18	6.8	0.06
DNR0500	DJF038-SC	55	40	56.5	6	17	6.8	0.07
DNR0750	DJF045-SC	70	50	70.7	6	20	9	0.12
DNR1000	DJF050-SC	75	56.5	80	12	31	9	0.22
DNR1500	DJF063-SC	100	73.5	104	12	36	11	0.46
DNR2400	DJF075-SC	100	73.5	104	12	36	11	0.39
DNR4200	DJF095-SC	120	92	130	12	32	14	0.54
DNR6600	DJF120-SC	140	109.5	155	12	40	14	0.64
DNR9500	※ DJF150-SC	190	138	195	12	40	18	1.52

※ made to order

Flange mounting screws are not furnished.



T-T

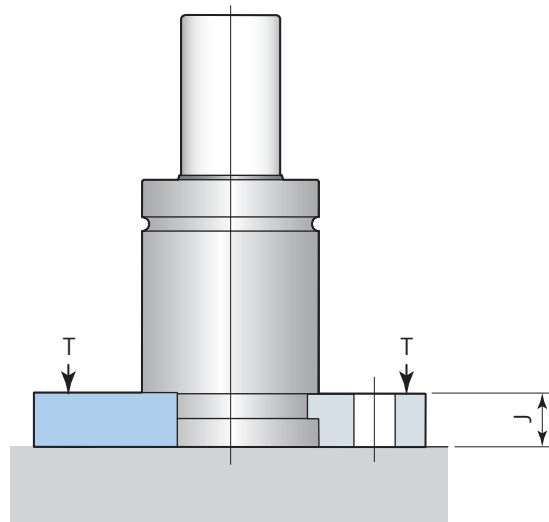
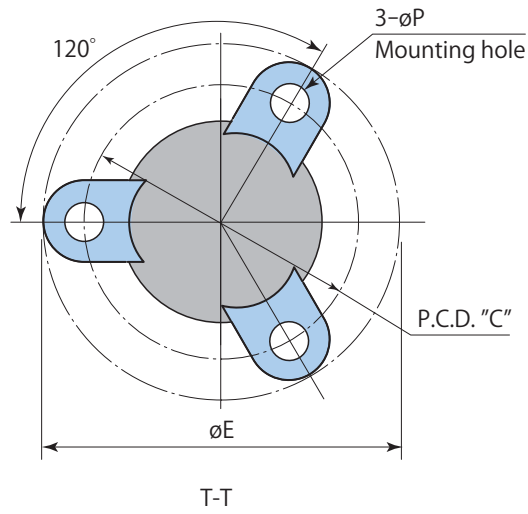


Note1: KA flange cannot be used for hose-linked gas spring.
 Note2: The cylinder should be backed up fully at the bottom face.

Gas spring model	Flange model	B mm	E mm	F mm	G mm	J mm	P mm	Mass kg
DNR0500	DJF038-KA	56.5	76.5	20	48	7	6.8	0.06
DNR0750	DJF045-KA	70.7	95.8	25	56	7	9	0.09
DNR1000	DJF050-KA	80	110	30	61	14.2	14	0.20
DNR1500	DJF063-KA	92	122	30	74	14.2	14	0.20
DNR2400	DJF075-KA	104	134	30	86	14.2	14	0.20
DNR4200	DJF095-KA	130	170	40	106	14.2	18	0.34
DNR6600	DJF120-KA	155	205	50	131	14.2	18	0.49
DNR9500	※ DJF150-KA	195	245	50	170	14.2	22	0.56

※ made to order

Flange mounting screws are not furnished.



Note: The cylinder should be backed up fully at the bottom face.

Gas spring model	Flange model	C mm	E mm	J mm	P mm	Mass kg
DNR2400	DJF075-KB	104	134	14.2	14	0.24
DNR4200	DJF095-KB	130	170	14.2	18	0.41
DNR6600	DJF120-KB	155	205	14.2	18	0.60
DNR9500	※ DJF150-KB	195	245	14.2	22	0.64

※ made to order

Flange mounting screws are not furnished.