

## Models at-a-glance

model **DNK**



model **DNK4200-50**

model **DNR**

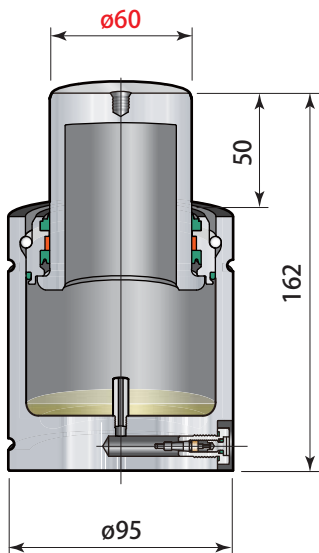


model **DNR4200-50**

model **DNF**



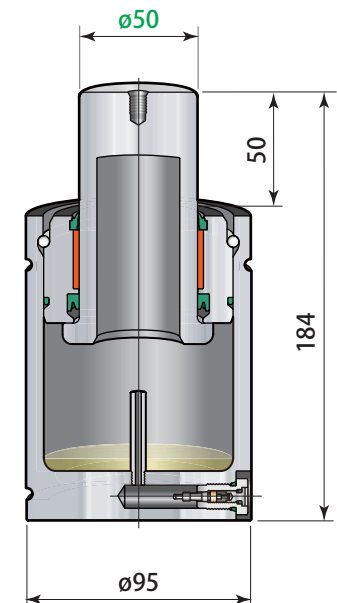
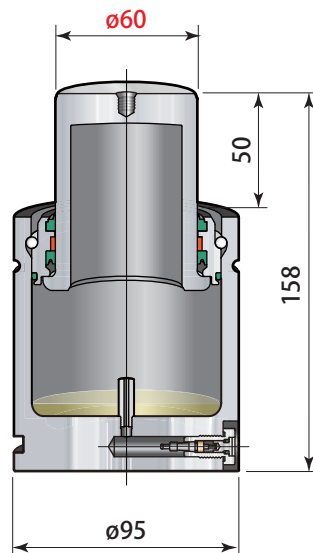
model **DNF3000-50**



Rod seal    Rod guide

High initial force, compact body

Initial force **42.4 kN**



Rod seal    Rod guide

Compact model with high durability against side-load

Initial force **29.5 kN**

Refer to Page 5 and 6 for the difference between model **DNK** and **DNR**.

## Models at-a-glance

model **DNA**

ISO compliance model



model **DNA3000-50**

model **DNB**

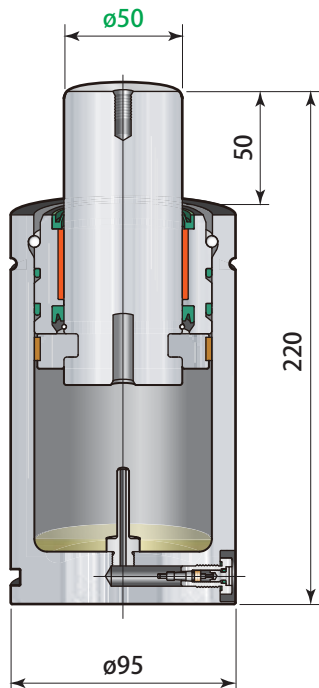


model **DNB3000-2.0**

model **DNP**



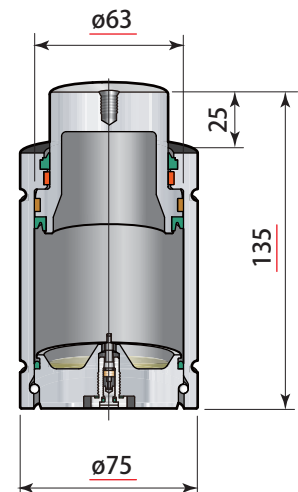
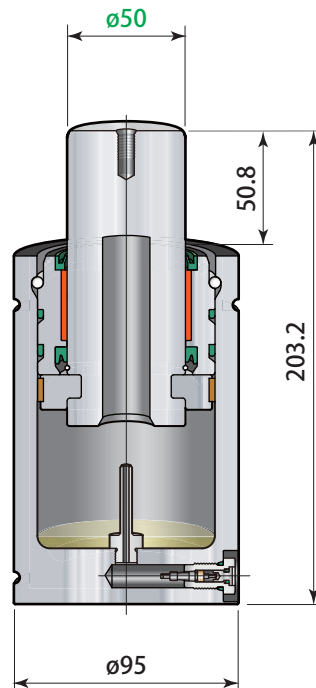
model **DNP4700-25**



Rod seal    Piston & Rod guide

The model that is durable against side-load and well-lubrication ability

Initial force **29.5 kN**



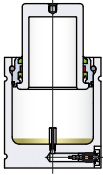
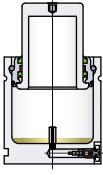
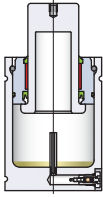
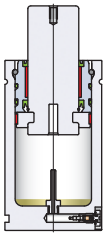
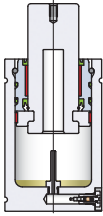
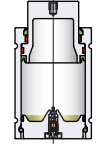
Bore seal

High power, short stroke

Initial force **46.8 kN**

Refer to Page 7 and 8 for the difference between model **DNA** and **DNB**.

## Dimensions • Technical data

Stroke	mm	6	10	13(12.7)	16	19	25	32	38(38.1)	50	63(63.5)	75
	inch			0.5			1.0		1.5	2.0	2.5	3.0
<b>DNK</b>  page 9	0350			66	72		90		116	140	166	190
	0500			66	72		90		116	140	166	190
	0750			73	79	85	97	111	123	147	173	197
	1000			78	84	90	102	116	128	152	178	202
	1500			78	84	90	102	116	128	152	178	202
	2400				91	97	109	123	135	159	185	209
	4200				94	100	112	126	138	162	188	212
	6600				104	110	122	136	148	172	198	222
	9500					116	128	142	154	178	204	228
<b>DNR</b>  page 17	0350		50	56	62	68	80	94	106	130	156	180
	0500		50	56	62	68	80	94	106	130	156	180
	0750		52	58	64	70	82	96	108	132	158	182
	1000			64	70	76	88	102	114	138	164	188
	1500			70	76	82	94	108	120	144	170	194
	2400				77	83	95	109	121	145	171	195
	4200				90	96	108	122	134	158	184	208
	6600				100	106	118	132	144	168	194	218
	9500					116	128	142	154	178	204	228
<b>DNF</b>  page 27	0750			91			115		141	165	191	215
	1200			96			120		146	170	196	220
	2000			106			130		156	180	206	230
	3000			110			134		160	184	210	234
<b>DNA</b>  page 35	0250		70	75.4	82		100		126.2	150	177	
	0500		105	110.4	117		135		161.2	185	212	
	0750			120.4			145		171.2	195	222	
	1500		130				160		186.2	210	237	
	3000		140				170		196.2	220	247	
	5000		160				190		216.2	240	267	
<b>DNB</b>  page 47	0750			120.4			145.8		171.2	196.6	222.0	247.4
	1500			127.0			152.4		177.8	203.2	228.6	254.0
	3000			127.0			152.4		177.8	203.2	228.6	254.0
	5000			127.0			152.4		177.8	203.2	228.6	254.0
	7500			180.4			205.8		231.2	256.6	282.0	307.4
<b>DNP</b>  page 57	0420	56	70		91		120					
	1000	61	78		100		135					
	1800	66	80		106		135					
	4700		80		106		135					
	7500		90		116		145					
	11800		100		126		155					
	18300		110		136		165					

## Dimensions • Technical data

								Total height : mm					
80	100		125		160		200	250	300	Cylinder diameter mm	Initial force kN	Hose Adaptor	
	3.5	4.0	4.5	5.0	5.5	6.0						type	page
200										32	3.62	M6	85
200										38	4.71		
207		247		297						45	7.36	G1/8	74 ~ 78
212		252		302						50	9.24		
212		252		302						63	15.3		
219		259		309						75	23.9		
222		262		312						95	42.4		
232		272		322						120	66.3		
238		278		328						150	95.4		
190		230		280						32	3.62	M6	85
190		230		280						38	4.71		
192		232		282						45	7.36		
198		238		288						50	9.24		
204		244		294						63	15.3		
205		245		295						75	23.9		
218		258		308						95	42.4		
228		268		318						120	66.3	G1/8	74 ~ 78
238		278		328						150	95.4		
225		265								50	7.36	SAE#4	80 ~ 84
230		270								63	12.1		
240		280								75	18.8		
244		284								95	29.5		
210		250								38	2.65		
245		285		335		405				45	4.71	G1/8	74 ~ 78
255		295		345		415	495	595	695	50	7.36		
270		310		360		430	510	610	710	75	15.3		
280		320		370		440	520	620	720	95	29.5		
300		340		390		460	540	640	740	120	49.8		
315		355		405		475	555	655	755	150	75.4		
	272.8	298.2	323.6	349.0	374.4	399.8				50	7.36		
	279.4	304.8	330.2	355.6	381.0	406.4				75	15.3		
	279.4	304.8	330.2	355.6	381.0	406.4				95	29.5		
	279.4	304.8	330.2	355.6	381.0	406.4				120	49.8		
	332.8	358.2	383.6	409.0	434.4	459.8				150	75.4		
										25	4.71	-	-
										38	10.6		
										50	18.8		
										75	46.8		
										95	75.4		
										120	117.8		
										150	184.1		