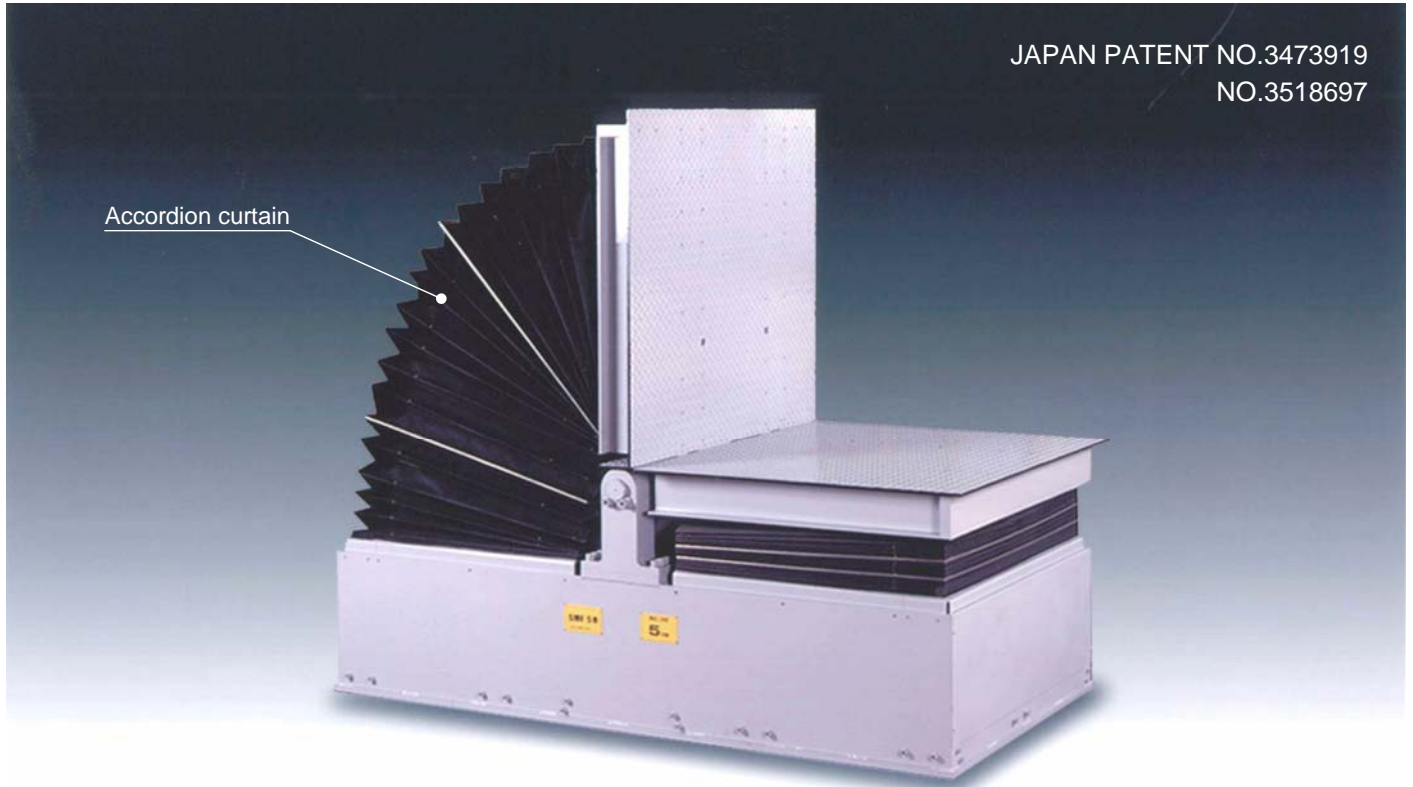


PASCAL[®] MOLD-ROTATOR

FLAT TYPE **SMF**
model

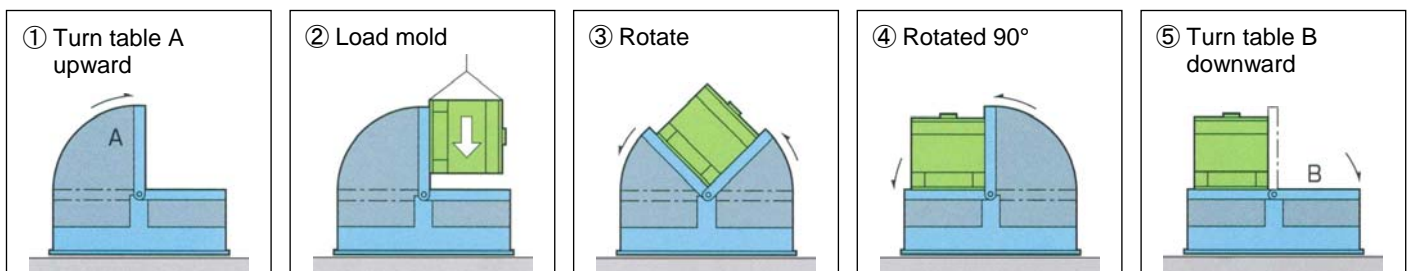
JAPAN PATENT NO.3473919
NO.3518697



Loading **1.1, 3.3, 5.5, 11, 16.5, 22, 33** US ton — Lineup of 7 models

Protection from hazardous work

Rotation of molds, coils and casting parts weigh 1.1 to 33 tons



- Embedded in the floor design requires no space at the site
- One man operation for rotation
- Rotate 90° in 20 to 70 seconds
- So fast & easy
- Simple and durable structure
- Free to maintenance work

Model SMF can be installed beneath floor level. When it is out of use, vehicles can pass on its top plates.

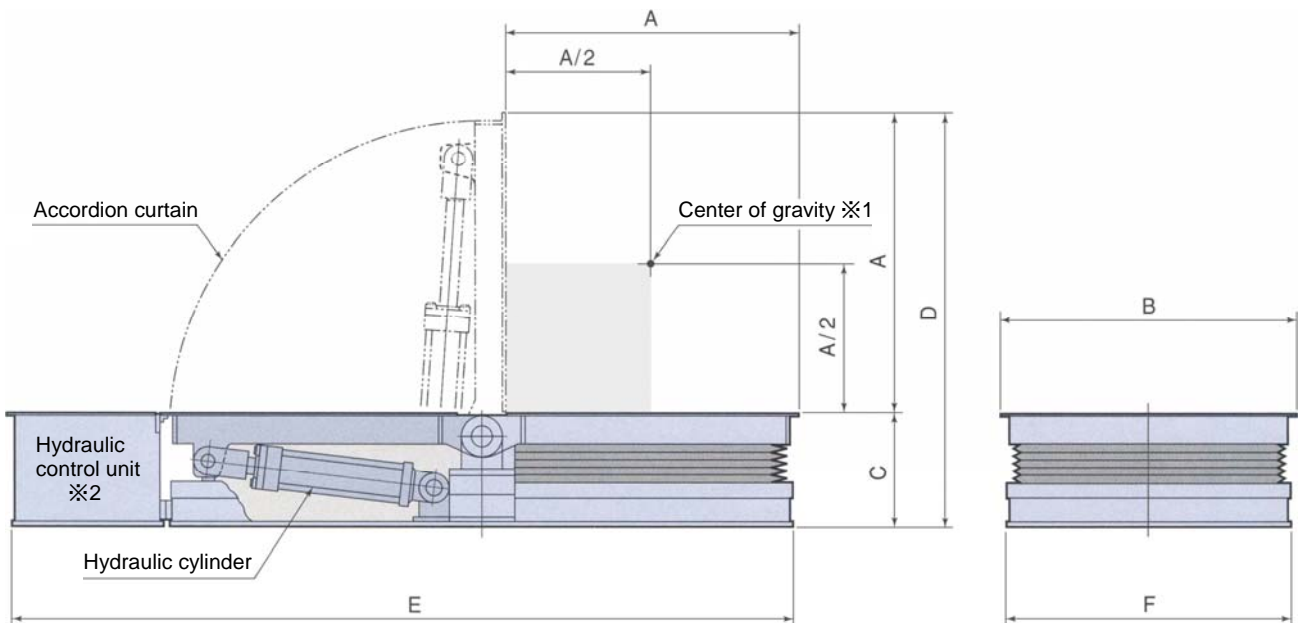


■ Specifications

Model	Electric motor driven type			Hydraulic cylinder driven type			
	SMF01M	SMF03M	SMF05M	SMF10H	SMF15H	SMF20H	SMF30H
Maximum mold weight (US ton)	1.1	3.3	5.5	11	16.5	22	33
90° Rotation time ※1 (sec.)	20	30		50	45	50	70
Drive motor ※2 (kW)	0.75 x 2	1.5 x 2	2.2 x 2	3.7	7.5	11	15
Mass (US ton)	1.1	2.2	3.3	5.5	6.6	8.8	15.4

※1 : at 60 Hz ※2 : AC200V

■ Dimensions



※1 : In case the center of gravity is not within the designated range of dimension A/2 (see ■ part in upper drawing), the mold may not be turned over depending on the weight. Please contact us for the details.

※2 : Electric motor driven models SMF01M, SMF03M and SMF05M are not equipped with hydraulic control unit.

(mm)

Model	A	B	C	D	E	F
SMF 01M	23.62	27.56	18.90	42.52	49.41	25.39
SMF 03M	35.43	39.37	26.38	61.81	75.59	41.34
SMF 05M	39.37	43.31	31.10	70.47	86.61	44.09
SMF 10H	51.18	51.18	20.67	70.87	137.80	48.43
SMF 15H	59.06	59.06	24.41	83.46	161.41	56.30
SMF 20H	66.93	66.93	24.41	91.34	175.59	64.17
SMF 30H	78.74	86.61	29.53	108.27	201.97	82.68

In case of installation beneath floor level, an outer frame is required. (Option)