

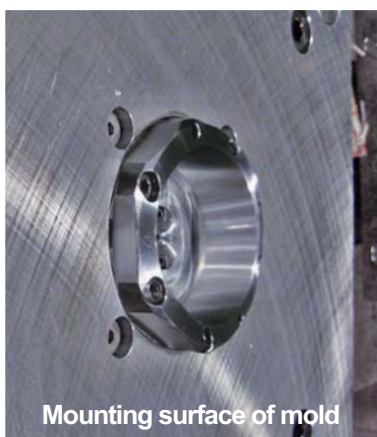
octagonal locate-ring

octagonal taper cone

For improvement mold set-up time.
 The use of octagonal locate-ring (octagonal taper cone) provide accurate insertion point, eliminating need for retraining of robot.

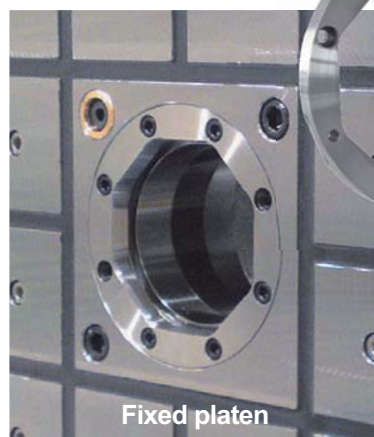
For **vertical**
 & **horizontal**
 Injection molding
 machine

High accuracy mold positioning for insert / hoop molding



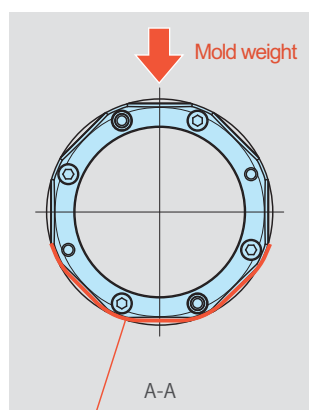
Mounting surface of mold

Octagonal locate-block

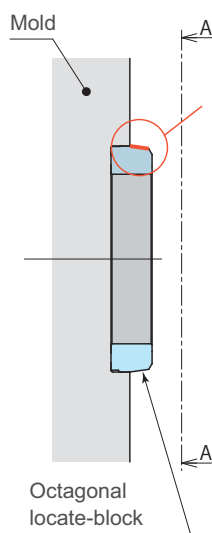


Fixed platen

Octagonal locate-ring

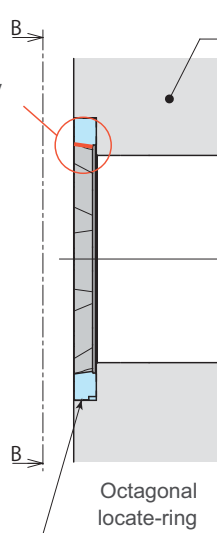


High rigidity can be obtained by receiving Mold weight with 3-faces.

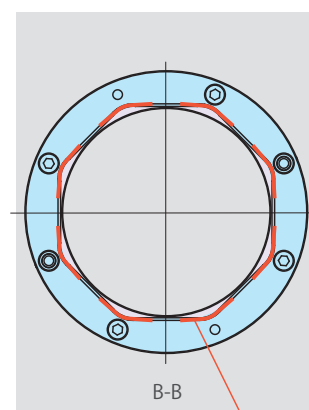


Octagonal locate-block

Tapper allows easy mold setting



Octagonal locate-ring



Restrained 8-faces can provide highly accurate centering.