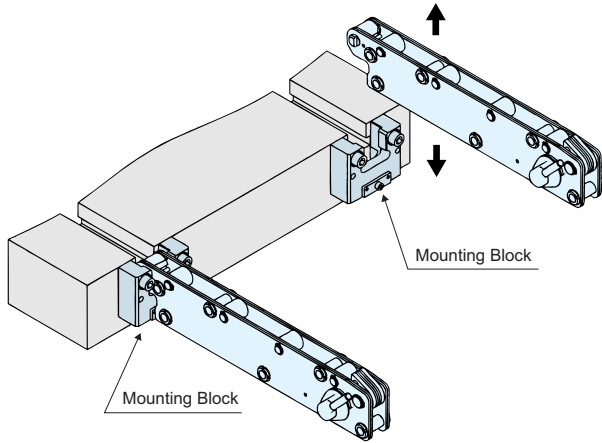


# PASCAL PRE-ROLLERS

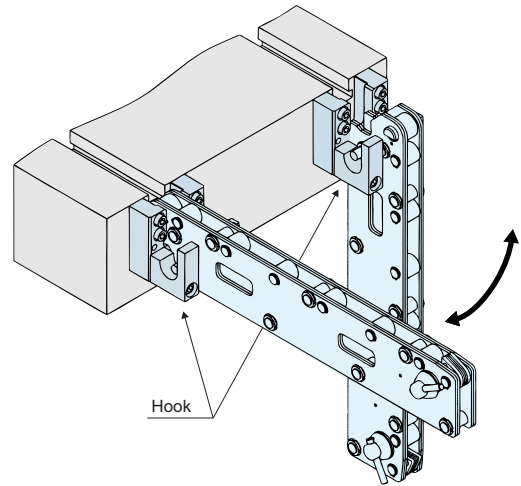
## MODEL PRA REMOVABLE STRAIGHT type



Model PRA can be quickly detached from mounting block just by hand lifting. Mounting block is common to all same size Pre-Rollers so that any PRA model can be used at other press machines that have a same size mounting block.

MODEL	※MAX. DIE TRAVEL	CAPACITY	PAGE
PRA2 - ☒	200 ~ 630 mm	7.5 ~ 2 k N	P. 3
PRA3 - ☒	315 ~ 1000 mm	15 ~ 2.5 k N	P. 5
PRA5 - ☒	400 ~ 1000 mm	20 ~ 6.5 k N	P. 7

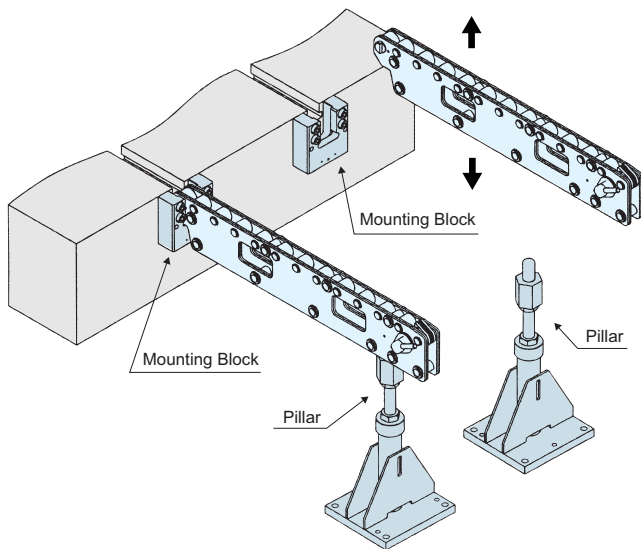
## MODEL PRF REMOVABLE STRAIGHT & FOLD type



Model PRF can be quickly detached from mounting block just by hand lifting. Pre-Roller can be hung down at hook besides mounting block. Mounting block is common to all same size Pre-Rollers in order to be used at other press machines that have a same size mounting block.

MODEL	※MAX. DIE TRAVEL	CAPACITY	PAGE
PRF2 - ☒	200 ~ 630 mm	7.5 ~ 2 k N	P. 9
PRF3 - ☒	315 ~ 1000 mm	15 ~ 2.5 k N	P. 11
PRF5 - ☒	400 ~ 1000 mm	20 ~ 6.5 k N	P. 13

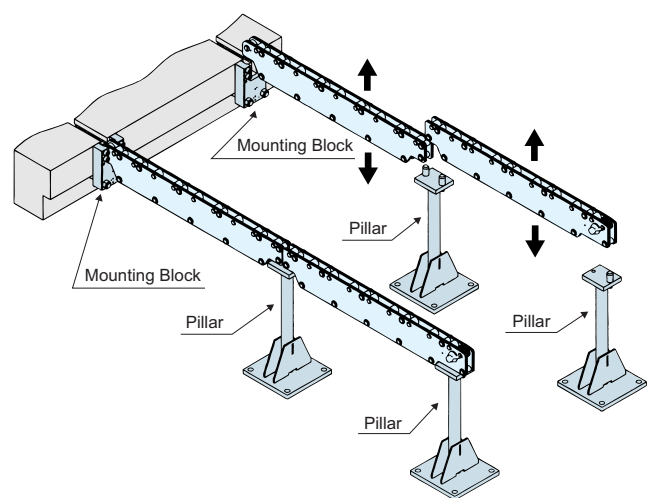
## MODEL PRC REMOVABLE STRAIGHT + PILLAR type



Supporting pillar is added to model PRA for more loading capacity.

MODEL	※MAX. DIE TRAVEL	CAPACITY	PAGE
PRC3 - ☒	710 ~ 2000 mm	25 ~ 12.5 k N	P. 23
PRC5 - ☒	1000 ~ 2000 mm	34 ~ 20 k N	P. 25

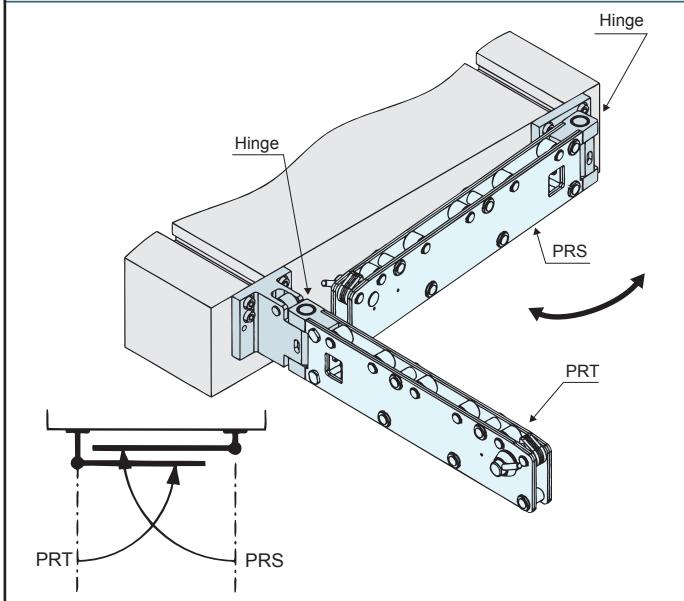
## MODEL PRD DOUBLE STRAIGHT+ DOUBLE PILLAR type



2 pieces of model PRA are adopted and 2 supporting pillars are added for large and heavy dies.

MODEL	※MAX. DIE TRAVEL	CAPACITY	PAGE
PRD5 - ☒	1250 ~ 2000 mm	40 ~ 25 k N	P. 25

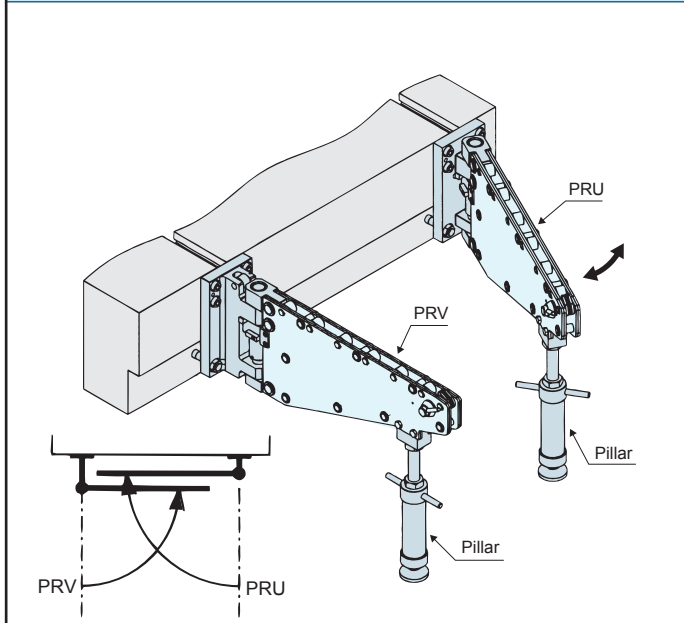
MODEL **PRS/PRT** SWING type



To be folded for storing by hinge after use. Quick positioning as well as locking before and after operation. No lifting needed. To be provided in a pair of PRS & PRT models with respective mounting blocks.

MODEL	※MAX. DIE TRAVEL	CAPACITY	PAGE
PRS3 - [※] / PRT3 - [※]	315 ~ 710mm	15 ~ 5.5kN	P. 15
PRS5 - [※] / PRT5 - [※]	500 ~ 1000mm	15 ~ 5.5kN	P. 17
PRS8 - [※] / PRT8 - [※]	630 ~ 1000mm	20 ~ 11 kN	P. 19

MODEL **PRU/PRV** SWING + PILLAR type



Supporting pillar is added to model PRS & PRT for more loading capacity. To be provided in a pair of PRU & PRV models with respective mounting blocks.

MODEL	※MAX. DIE TRAVEL	CAPACITY	PAGE
PRU8 - [※] / PRV8 - [※]	800 ~ 1250mm	35 ~ 30kN	P. 21