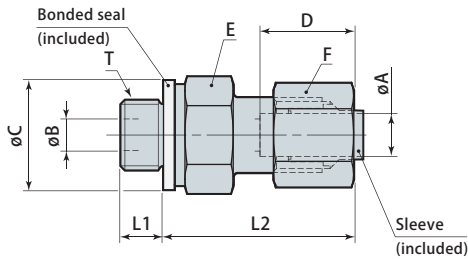


Parallel thread connector

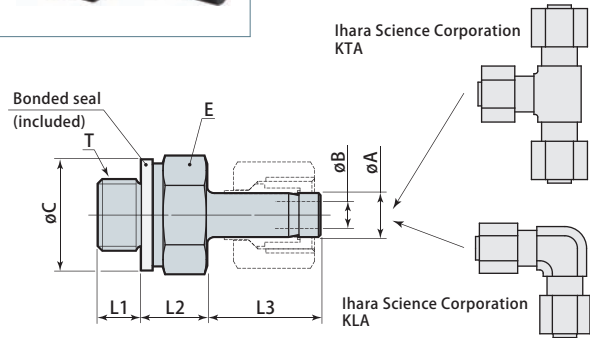


Model	Applicable pipe outer diameter øA	T	B	C	D	Width across flats		L1	L2
						E	F		
8FKCO06010	6	G1/8	4	17	17.5	14	14	6	32.5
8FKCO08010	8		4	17	17.5	17	17	6	32.5
8FKCO08020	8		6	20.5	17.5	19	17	10	33.5
8FKCO10020	10	G1/4	6	20.5	18.5	19	19	10	34.5
8FKCO10030	10		8	24	18.5	22	19	10	35.5
8FKCO12030	12	G3/8	8	24	18.5	22	22	10	35.5

Parallel thread adaptor

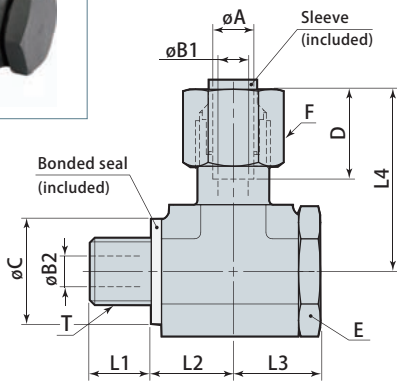


Use NE bite type tube fitting from Ihara Science Corporation on opposite side.



Model	Applicable pipe outer diameter øA	T	B	C	Width across flats E	L1	L2	L3
8FKHB08020	8	G1/4	5	20.5	19	10	10	21
8FKHB10020	10		6	20.5	19	10	10	22
8FKHB10030	10	G3/8	6	24	22	10	11	22
8FKHB12030	12		8	24	22	10	11.5	22.5

Stud elbow

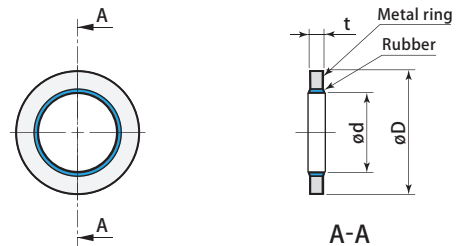


Model	Applicable pipe outer diameter øA	T	B1	B2	C	D	Width across flats		L1	L2	L3	L4
							E	F				
8FKMB06010	6	G1/8	4	4	17	17.5	17	14	8	13	14	33.5
8FKMB08020	8	G1/4	6	7	20.5	17.5	22	17	12	16	17	35.5
8FKMB10020	10		8	7	20.5	18.5	22	19	12	16	17	36.5
8FKMB12030	12	G3/8	10	9	24	18.5	27	22	12	19	22	40.5

Bonded seal



Standard material is NBR for rubber and SPCC (cold roll steel) for metal ring.



Model	Applicable thread	d	D	t
8FKP-C-010	G1/8	9.9	17	2
8FKP-C-020	G1/4	13.3	20.5	2
8FKP-C-030	G3/8	16.8	24	2

Note 1. Use a bonded seal to seal flange surface where a fitting will be fitted (do not use O-ring type BSPP fitting).

2. Use the sleeve KKO from Ihara Science Corporation for the sleeve of fitting.

3. Each fitting is provided with a bonded seal.

4. Working pressure range: 0 ~ 50 MPa (G1/8, G1/4), 0 ~ 40 MPa (G3/8)

7MPa clamp & work support

Swing clamp

Link clamp

Clamp cylinder

Work support

Option