

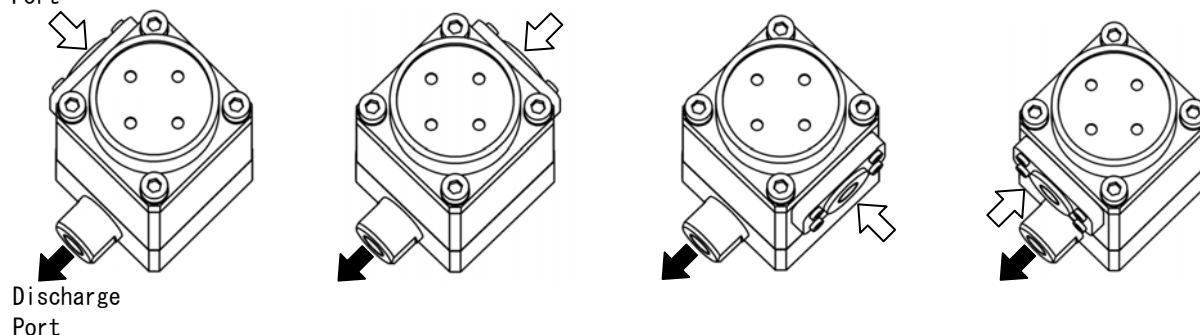
Pascal

Dear Customers,

Subject: Position of Air Supply Port for Pascal Pump

We would thank you for using of Pascal Pump as well as other Pascal products.
Pascal Pump has four different positions of the air supply port. Please refer the below pictures.
When you place an order to us, please suggest us the position of the air supply port after reviewing the below. We would thank you for your taking a time.
Sincerely Yours,

Air Supply
Port



Discharge
Port

HPX63**-A

HPX63**-B

HPX63**-C

HPX63**-D

(HPX63** is interchangeable with old model [HPH63**/HPE63**/S63**].)

Notes:

1. If changing the position of the air port, it must be disassembled the pump. If disassembling it by customer's responsibility, it will be out of warranty even any troubles during the warranty period.
2. In the past Pascal had given you the Product Approval Drawing which might have not shown the position of the air port. If you have it, please fax us the drawing OR let us the drawing number (10 digits). We would highly appreciate you to take a time.

Pascal corporation

Head office (Overseas sales dept.)
Itami, Hyogo, Japan 664-8502
Tel.072-777-3333 Fax.072-777-3520
E-mail: service@pascaleng.co.jp

Overseas sales network

●Chicago (USA)	Tel. 847-427-1234	Fax. 847-427-1222	E-mail: sales@pascalenginc.com
●Paris (France)	Tel. 1-8395-4635	Fax. 1-8395-4630	E-mail: paris@pascaleng.co.jp
●Bangkok (Thailand)	Tel. 2-399-3623	Fax. 2-744-0677	E-mail: pascal@somat.co.th
●Changwon (Korea)	Tel. 55-274-0971	Fax. 55-274-0972	E-mail: korea@pascaleng.co.jp