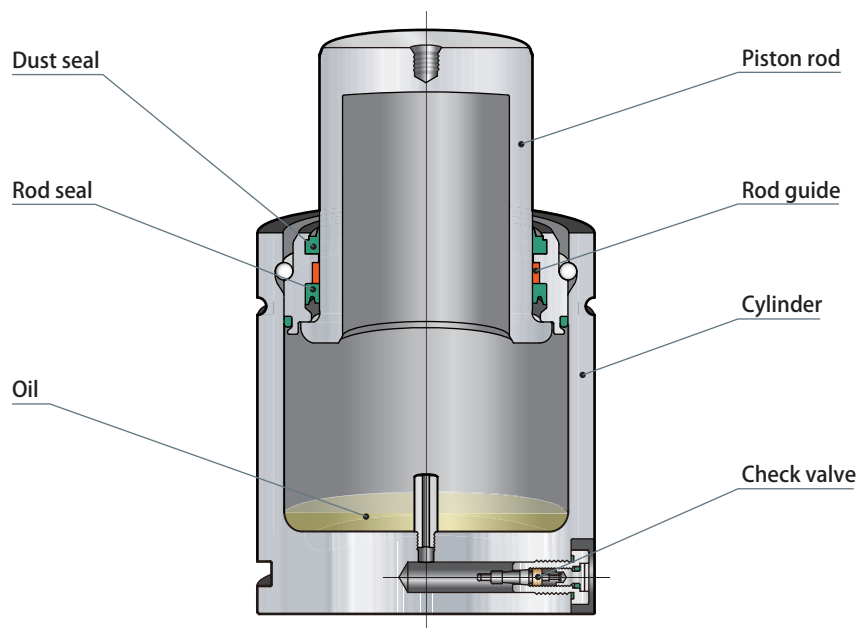
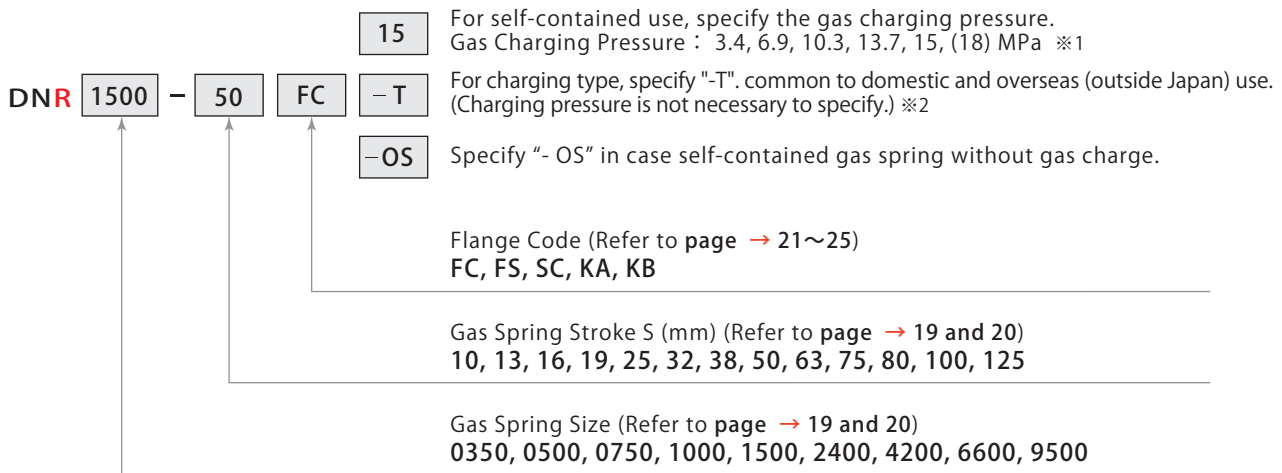


model **DNR**



## Gas spring and Mounting flange

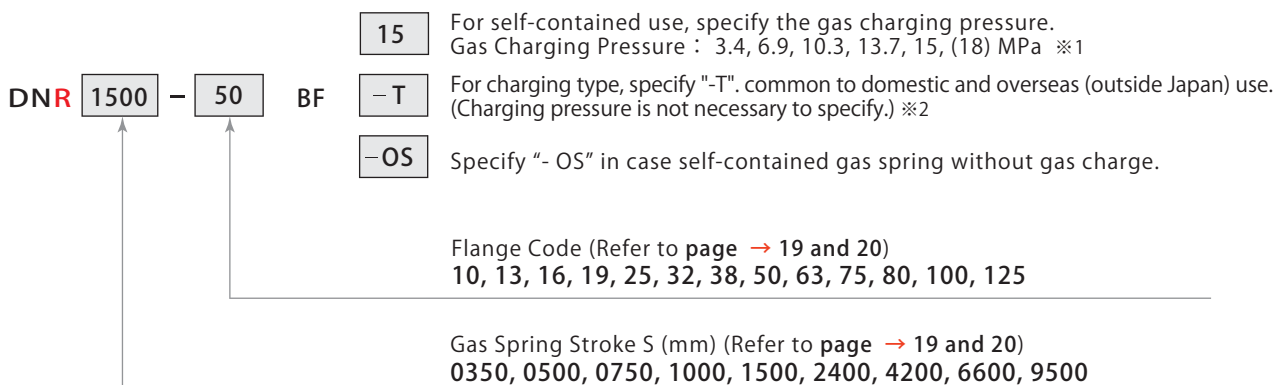
Example : **DNR1500-50FC-T**



- ※1. Choose one of the recommended gas pressure levels shown above. For the charging pressure other than above, specify the pressure to one digit after the decimal point. The gas charging range is 3.4 MPa to 15 MPa at 20°C. (3.4~18MPa for DNR0350 only)
- ※2. Check valve is not mounted at shipment.

## Gas spring

Example : **DNR1500-50BF15**



- ※1. Choose one of the recommended gas pressure levels shown above. For the charging pressure other than above, specify the pressure to one digit after the decimal point. The gas charging range is 3.4 MPa to 15 MPa at 20°C. (3.4~18MPa for DNR0350 only)
- ※2. Check valve is not mounted at shipment.

## Mounting flange

Example : **DJF063-FC**



Model	Stroke S mm	Initial force kN	Full stroke load kN	Compression ratio	Mass kg	L mm	H mm	mm	
<b>DNR0350-</b>	10	10	3.62	5.89	1.63	0.2	50	40	K = 16 T = 6 D = 32 J = 1 B = 27 N = 2 E = 4 Z = 12.5 F = 3.5 P = M6 depth 5 Piping port = M6
	13	13	3.62	5.74	1.59	0.2	56	43	
	16	16	3.62	5.65	1.56	0.2	62	46	
	19	19	3.62	5.60	1.55	0.2	68	49	
	25	25	3.62	5.53	1.53	0.2	80	55	
	32	32	3.62	5.49	1.52	0.2	94	62	
	38	38	3.62	5.46	1.51	0.3	106	68	
	50	50	3.62	5.43	1.50	0.3	130	80	
	63	63	3.62	5.42	1.50	0.3	156	93	
	75	75	3.62	5.40	1.49	0.4	180	105	
	80	80	3.62	5.40	1.49	0.4	190	110	
	100	100	3.62	5.39	1.49	0.4	230	130	
125	125	3.62	5.38	1.49	0.5	280	155		
<b>DNR0500-</b>	10	10	4.71	8.02	1.70	0.3	50	40	K = 20 T = 6 D = 38 J = 1 B = 33 N = 2 E = 4 Z = 12.5 F = 4 P = M6 depth 5 Piping port = M6
	13	13	4.71	7.83	1.66	0.3	56	43	
	16	16	4.71	7.72	1.64	0.3	62	46	
	19	19	4.71	7.66	1.63	0.3	68	49	
	25	25	4.71	7.57	1.61	0.3	80	55	
	32	32	4.71	7.52	1.60	0.4	94	62	
	38	38	4.71	7.49	1.59	0.4	106	68	
	50	50	4.71	7.45	1.58	0.4	130	80	
	63	63	4.71	7.42	1.58	0.5	156	93	
	75	75	4.71	7.41	1.57	0.5	180	105	
	80	80	4.71	7.40	1.57	0.6	190	110	
	100	100	4.71	7.39	1.57	0.7	230	130	
125	125	4.71	7.38	1.57	0.8	280	155		
<b>DNR0750-</b>	10	10	7.36	11.8	1.60	0.4	52	42	K = 25 T = 6 D = 45 J = 1 B = 40 N = 2 E = 4 Z = 15.5 F = 4 P = M6 depth 5 Piping port = M6
	13	13	7.36	11.7	1.59	0.4	58	45	
	16	16	7.36	11.6	1.58	0.4	64	48	
	19	19	7.36	11.6	1.58	0.4	70	51	
	25	25	7.36	11.5	1.56	0.4	82	57	
	32	32	7.36	11.4	1.55	0.5	96	64	
	38	38	7.36	11.4	1.55	0.5	108	70	
	50	50	7.36	11.4	1.55	0.6	132	82	
	63	63	7.36	11.4	1.55	0.6	158	95	
	75	75	7.36	11.4	1.55	0.7	182	107	
	80	80	7.36	11.4	1.55	0.7	192	112	
	100	100	7.36	11.3	1.54	0.8	232	132	
125	125	7.36	11.3	1.54	1.0	282	157		
<b>DNR1000-</b>	13	13	9.24	15.0	1.62	0.5	64	51	K = 28 T = 6 D = 50 J = 2 B = 43 N = 3 E = 8 Z = 15.5 F = 7 P = M6 depth 5 Piping port = M6
	16	16	9.24	15.0	1.62	0.5	70	54	
	19	19	9.24	15.0	1.62	0.6	76	57	
	25	25	9.24	15.0	1.62	0.6	88	63	
	32	32	9.24	15.0	1.62	0.7	102	70	
	38	38	9.24	15.0	1.62	0.7	114	76	
	50	50	9.24	15.0	1.62	0.8	138	88	
	63	63	9.24	15.0	1.62	0.9	164	101	
	75	75	9.24	15.0	1.62	1.0	188	113	
	80	80	9.24	15.0	1.62	1.0	198	118	
	100	100	9.24	15.0	1.62	1.2	238	138	
	125	125	9.24	15.0	1.62	1.4	288	163	
<b>DNR1500-</b>	13	13	15.3	23.8	1.56	1.0	70	57	K = 36 T = 6 D = 63 J = 2 B = 56 N = 3 E = 8 Z = 19 F = 7 P = M6 depth 5 Piping port = M6
	16	16	15.3	24.1	1.58	1.0	76	60	
	19	19	15.3	24.3	1.59	1.1	82	63	
	25	25	15.3	24.6	1.61	1.1	94	69	
	32	32	15.3	24.8	1.62	1.2	108	76	
	38	38	15.3	24.9	1.63	1.3	120	82	
	50	50	15.3	25.0	1.63	1.5	144	94	
	63	63	15.3	25.1	1.64	1.6	170	107	
	75	75	15.3	25.2	1.65	1.8	194	119	
	80	80	15.3	25.2	1.65	1.8	204	124	
	100	100	15.3	25.3	1.65	2.1	244	144	
	125	125	15.3	25.3	1.65	2.4	294	169	
<b>DNR2400-</b>	16	16	23.9	35.9	1.50	1.4	77	61	K = 45 T = 6 D = 75 J = 2.5 B = 67 N = 3 E = 8 Z = 21 F = 7 P = M6 depth 5 Piping port = M6
	19	19	23.9	36.3	1.52	1.4	83	64	
	25	25	23.9	36.9	1.54	1.5	95	70	
	32	32	23.9	37.3	1.56	1.6	109	77	
	38	38	23.9	37.6	1.57	1.7	121	83	
	50	50	23.9	37.9	1.59	1.9	145	95	
	63	63	23.9	38.2	1.60	2.1	171	108	
	75	75	23.9	38.3	1.60	2.3	195	120	
	80	80	23.9	38.4	1.61	2.3	205	125	
	100	100	23.9	38.5	1.61	2.6	245	145	
	125	125	23.9	38.6	1.62	3.0	295	170	

Model	Stroke S mm	Initial force kN	Full stroke load kN	Compression ratio	Mass kg	L mm	H mm	mm		
<b>DNR4200-</b>	16	16	42.4	62.7	1.48	2.9	90	74	K = 60	T = 10.5
	19	19	42.4	63.8	1.50	2.9	96	77		
	25	25	42.4	65.6	1.55	3.1	108	83	D = 95	J = 2.5
	32	32	42.4	66.9	1.58	3.3	122	90		
	38	38	42.4	67.7	1.60	3.4	134	96	B = 87	N = 3
	50	50	42.4	68.8	1.62	3.7	158	108		
	63	63	42.4	69.6	1.64	4.0	184	121	E = 8	Z = 24
	75	75	42.4	70.1	1.65	4.3	208	133		
	80	80	42.4	70.2	1.66	4.5	218	138	F = 7	P = M8 depth 6
	100	100	42.4	70.7	1.67	5.0	258	158		
125	125	42.4	71.2	1.68	5.6	308	183	Piping port = G1/8(BSPP)		
<b>DNR6600-</b>	16	16	66.3	92.2	1.39	5.3	100	84	K = 75	T = 10.5
	19	19	66.3	94.3	1.42	5.4	106	87		
	25	25	66.3	97.7	1.47	5.5	118	93	D = 120	J = 2.5
	32	32	66.3	100.3	1.51	5.8	132	100		
	38	38	66.3	102.0	1.54	6.1	144	106	B = 112	N = 3
	50	50	66.3	104.4	1.57	6.6	168	118		
	63	63	66.3	106.1	1.60	7.1	194	131	E = 8	Z = 25.5
	75	75	66.3	107.2	1.62	7.6	218	143		
	80	80	66.3	107.6	1.62	7.8	228	148	F = 7	P = M8 depth 6
	100	100	66.3	108.9	1.64	8.6	268	168		
125	125	66.3	109.9	1.66	9.6	318	193	Piping port = G1/8(BSPP)		
<b>DNR9500-</b>	19 ※	19	95.4	130.8	1.37	9.7	116	97	K = 90	T = 10.5
	25 ※	25	95.4	135.5	1.42	10.1	128	103		
	32 ※	32	95.4	138.9	1.46	10.5	142	110	D = 150	J = 2.5
	38 ※	38	95.4	141.0	1.48	10.9	154	116		
	50 ※	50	95.4	144.2	1.51	11.7	178	128	B = 142	N = 3
	63 ※	63	95.4	146.5	1.53	12.5	204	141		
	75 ※	75	95.4	148.0	1.55	13.2	228	153	E = 8	Z = 27.5
	80 ※	80	95.4	148.5	1.56	13.5	238	158		
	100 ※	100	95.4	150.1	1.57	14.7	278	178	F = 7	P = M8 depth 6
	125 ※	125	95.4	151.5	1.59	16.3	328	203		

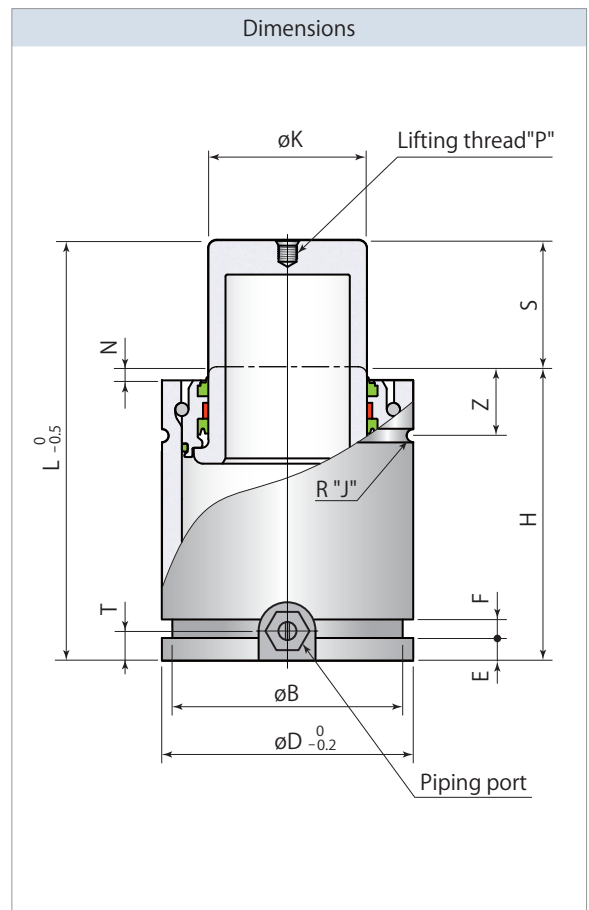
※ made to order

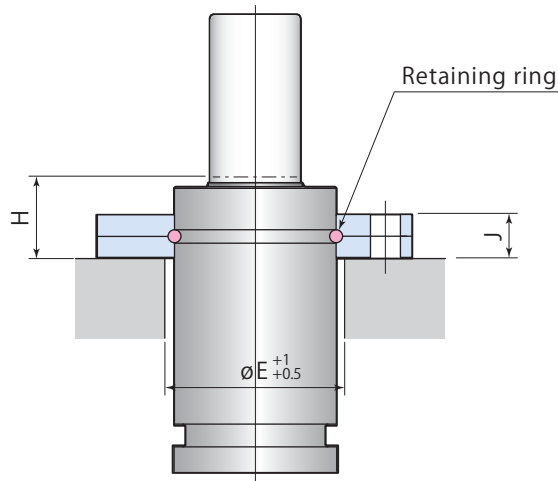
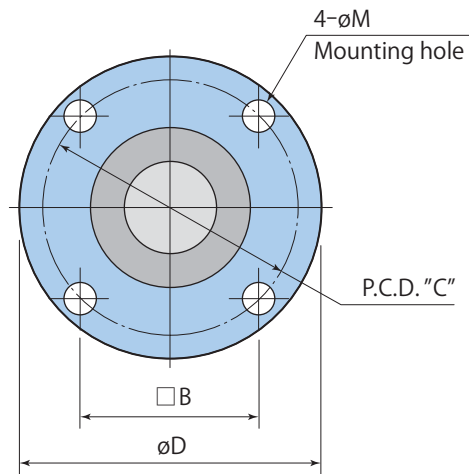
Showing the figures at initial charging pressure 15MPa at 20°C . (18MPa for model DNR0350 only)

Cylinder base			mm			
<b>DNR0350~DNR1500</b>			<b>DNR2400~DNR9500</b>			
Model	C	M	Model	C	U	M
DNR0350	20	M6 depth 6	DNR2400	28.3	40	M8 depth 6
DNR0500	25	M6 depth 6	DNR4200	42.4	60	M8 depth 13
DNR0750	20	M8 depth 6	DNR6600	56.6	80	M10 depth 13
DNR1000	20	M8 depth 6	DNR9500	70.7	100	M10 depth 16
DNR1500	20	M8 depth 6				

**⚠ Tips for stroke selection**

Use gas spring stroke as long as possible to ensure optimal performance of lubrication inside the cylinder.



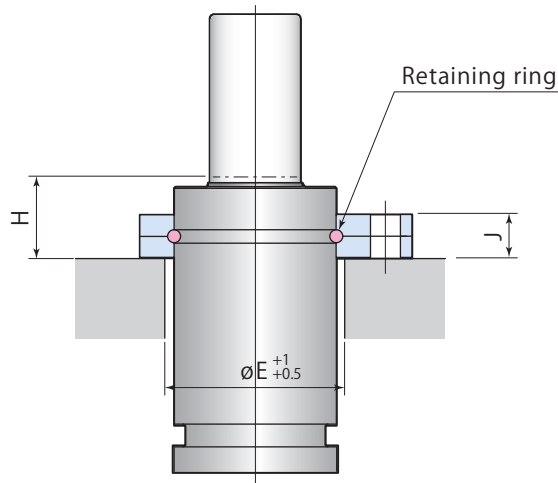
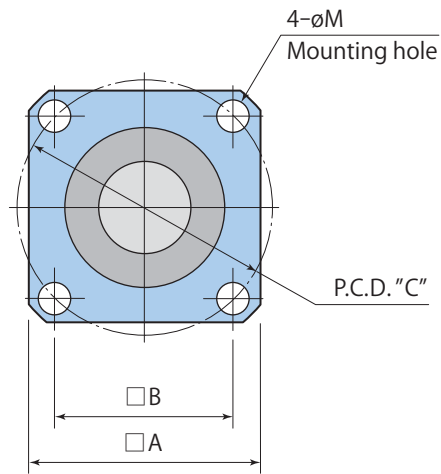


Note: Fc flanges are designed with sufficient strength to accommodate the loading.  
(The flange should support the load by its full mounting face, and should be mounted by 4 screws.)

Gas spring model	Flange model	B mm	C mm	D mm	E mm	H mm	J mm	M mm	Mass kg
<b>DNR0350</b>	DJF032-FC	35	49.5	60	32	17	9	6.8	0.13
<b>DNR0500</b>	DJF038-FC	40	56.5	68	38	17	9	6.8	0.17
<b>DNR0750</b>	DJF045-FC	50	70.7	86	45	22	13	9	0.40
<b>DNR1000</b>	DJF050-FC	56.5	80	95	50	22	13	9	0.50
<b>DNR1500</b>	DJF063-FC	73.5	104	122	63	27	16	11	1.03
<b>DNR2400</b>	DJF075-FC	73.5	104	122	75	29	16	11	0.88
<b>DNR4200</b>	DJF095-FC	92	130	150	95	33	18	14	1.44
<b>DNR6600</b>	DJF120-FC	109.5	155	175	120	36	21	14	2.03
<b>DNR9500</b>	DJF150-FC ※	138	195	220	150	41	27	18	4.13

※ made to order

Flange mounting screws are not included.

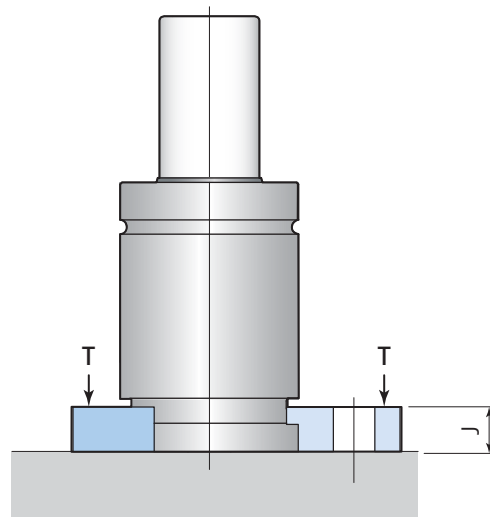
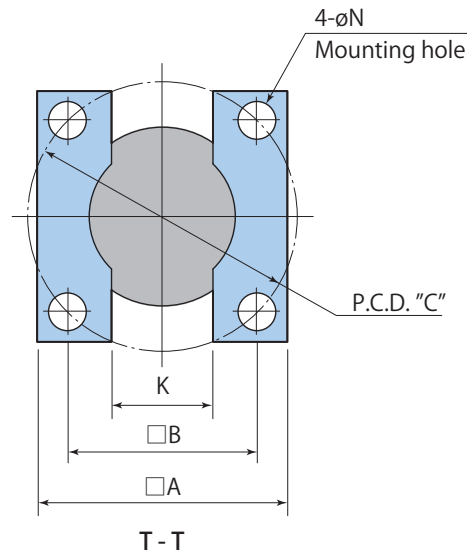


Note: Fs flanges are designed with sufficient strength to accommodate the loading.  
(The flange should support the load by its full mounting face, and should be mounted by 4 screws.)

Gas spring model	Flange model	A mm	B mm	C mm	E mm	H mm	J mm	M mm	Mass kg
<b>DNR0350</b>	DJF032-FS	45	35	49.5	32	17	9	6.8	0.10
<b>DNR0500</b>	DJF038-FS	52	40	56.5	38	17	9	6.8	0.12
<b>DNR0750</b>	DJF045-FS	64	50	70.7	45	22	13	9	0.25
<b>DNR1000</b>	DJF050-FS	70	56.5	80	50	22	13	9	0.30
<b>DNR1500</b>	DJF063-FS	90	73.5	104	63	27	16	11	0.60
<b>DNR2400</b>	DJF075-FS	90	73.5	104	75	29	16	11	0.44
<b>DNR4200</b>	DJF095-FS	110	92	130	95	33	18	14	0.65
<b>DNR6600</b>	DJF120-FS	130	109.5	155	120	36	21	14	0.85
<b>DNR9500</b>	DJF150-FS ※	162	138	195	150	41	27	18	1.60

※ made to order

Flange mounting screws are not included.

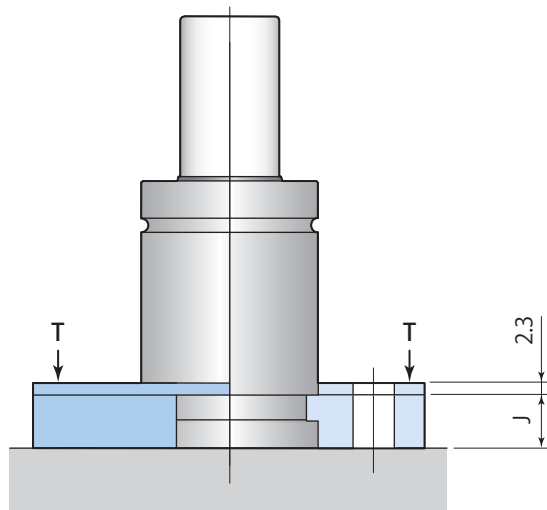
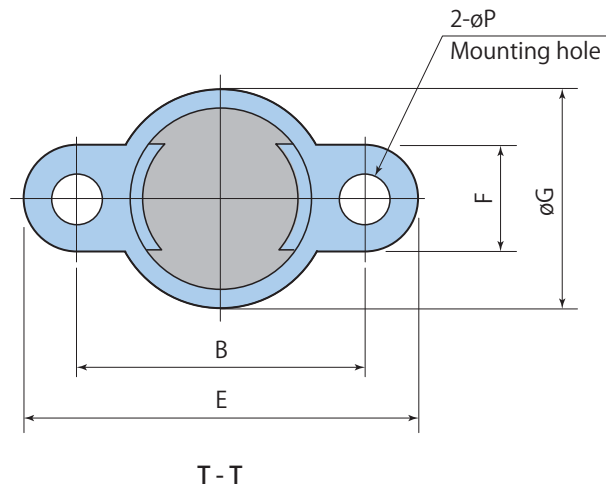


Note: The cylinder should be backed up fully at the bottom face.

Gas spring model	Flange model	A mm	B mm	C mm	J mm	K mm	N mm	Mass kg
<b>DNR0350</b>	DJF032-SC	50	35	49.5	6	18	6.8	0.06
<b>DNR0500</b>	DJF038-SC	55	40	56.5	6	17	6.8	0.07
<b>DNR0750</b>	DJF045-SC	70	50	70.7	6	20	9	0.12
<b>DNR1000</b>	DJF050-SC	75	56.5	80	12	31	9	0.22
<b>DNR1500</b>	DJF063-SC	100	73.5	104	12	36	11	0.46
<b>DNR2400</b>	DJF075-SC	100	73.5	104	12	36	11	0.39
<b>DNR4200</b>	DJF095-SC	120	92	130	12	32	14	0.54
<b>DNR6600</b>	DJF120-SC	140	109.5	155	12	40	14	0.64
<b>DNR9500</b>	DJF150-SC ※	190	138	195	12	40	18	1.52

※ made to order

Flange mounting screws are not included.



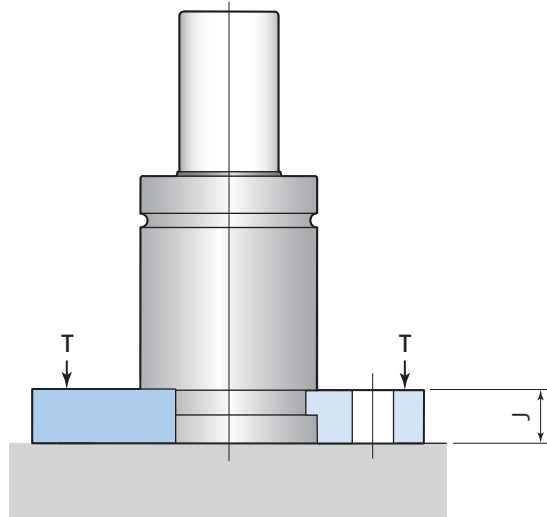
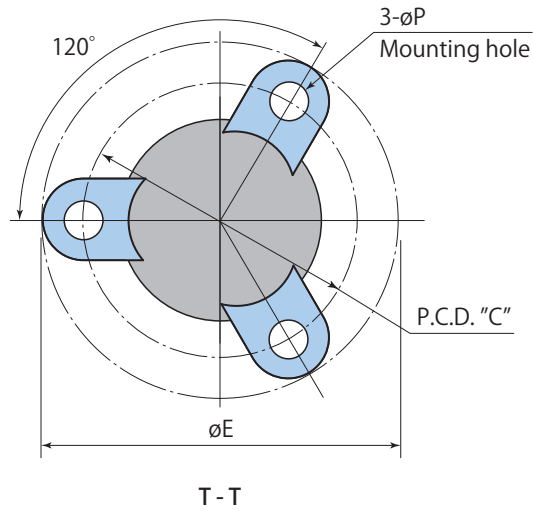
Note1: KA flange cannot be used for hose-linked gas spring.  
 Note2: The cylinder should be backed up fully at the bottom face.

Gas spring model	Flange model	B mm	E mm	F mm	G mm	J mm	P mm	Mass kg
<b>DNR0500</b>	DJF038-KA	56.5	76.5	20	48	7	6.8	0.06
<b>DNR0750</b>	DJF045-KA	70.7	95.8	25	56	7	9	0.09
<b>DNR1000</b>	DJF050-KA	80	110	30	61	14.2	14	0.20
<b>DNR1500</b>	DJF063-KA	92	122	30	74	14.2	14	0.20
<b>DNR2400</b>	DJF075-KA	104	134	30	86	14.2	14	0.20
<b>DNR4200</b>	DJF095-KA	130	170	40	106	14.2	18	0.34
<b>DNR6600</b>	DJF120-KA	155	205	50	131	14.2	18	0.49
<b>DNR9500</b>	DJF150-KA ※	195	245	50	170	14.2	22	0.56

※ made to order

Flange mounting screws are not included.





Note: The cylinder should be backed up fully at the bottom face.

Gas spring model	Flange model	C mm	E mm	J mm	P mm	Mass kg
<b>DNR2400</b>	DJF075-KB	104	134	14.2	14	0.24
<b>DNR4200</b>	DJF095-KB	130	170	14.2	18	0.41
<b>DNR6600</b>	DJF120-KB	155	205	14.2	18	0.60
<b>DNR9500</b>	DJF150-KB ※	195	245	14.2	22	0.64

※ made to order

Flange mounting screws are not included.