

model **DNK**

Standard model



model **DNK4200-50**

Initial force **42.4 kN**

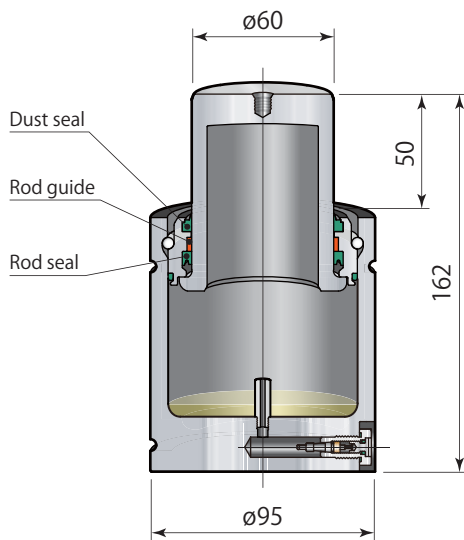
model **DNR**

Compact body

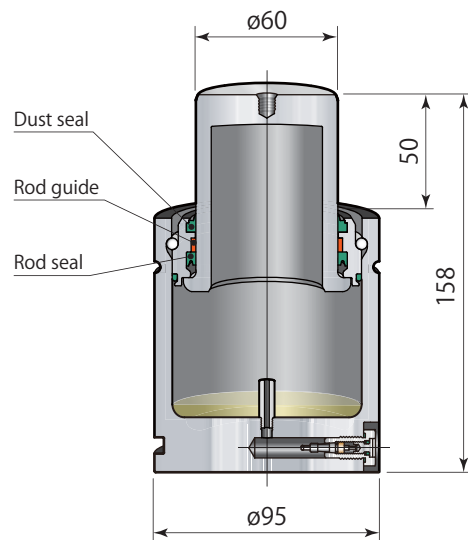


model **DNR4200-50**

Initial force **42.4 kN**



Rod seal Rod guide



Rod seal Rod guide

Refer to Page 7 and 8 for the difference between model DNK and DNR.

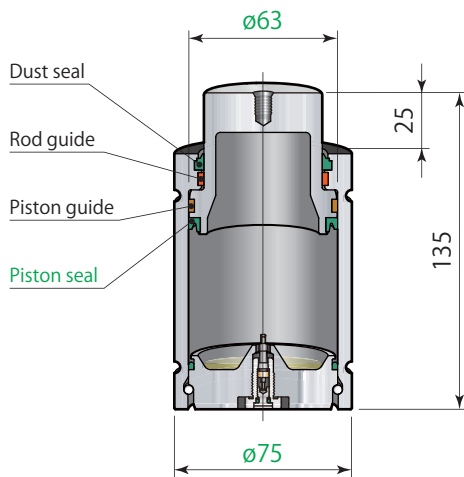
model **DNP**

High power, short stroke



model **DNP4700-25**

Initial force **46.8 kN**



Bore seal Piston & Rod guide

model **DNA**

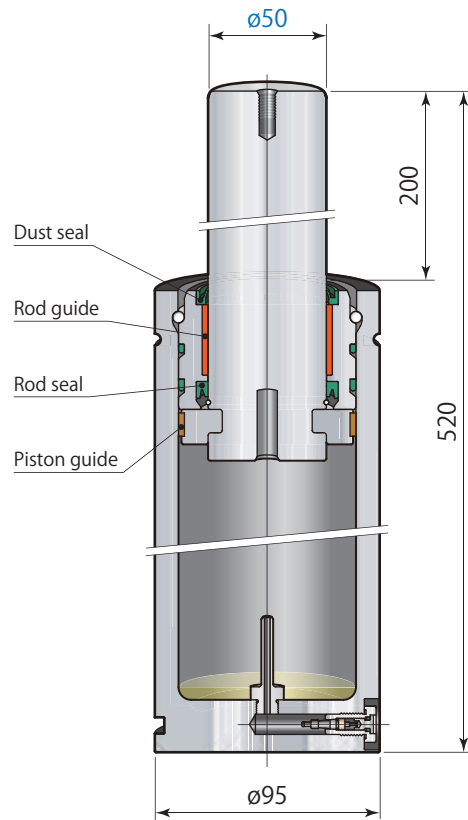
Long stroke

For quick cam or ejector plate return



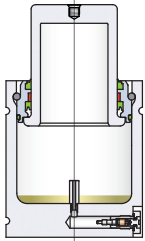
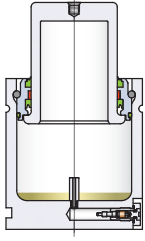
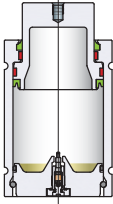
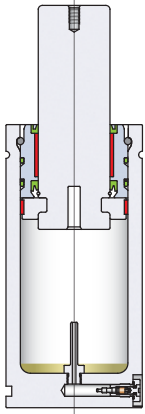
model **DNA3000-200**

Initial force **29.5 kN**



Rod seal Piston & Rod guide

Specifications at-a-glance

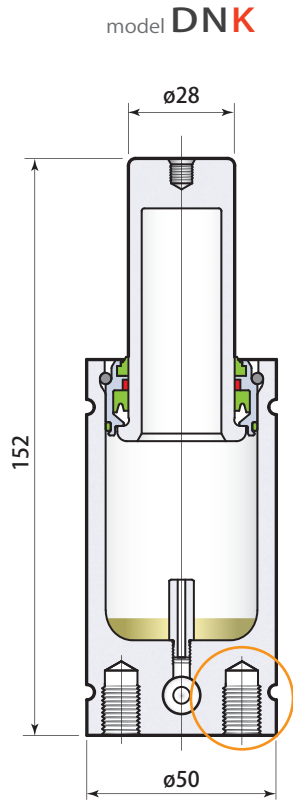
Model & Structure		Size	Cylinder diameter mm	Initial force kN				
					6	10	13	16
model DNK Page → 9 Standard		0350	32	3.62		60	66	72
		0500	38	4.71		60	66	72
		0750	45	7.36			73	79
		1000	50	9.24			78	84
		1500	63	15.3			78	84
		2400	75	23.9				91
		4200	95	42.4				94
		6600	120	66.3				104
		9500	150	95.4				
model DNR Page → 17 Compact body		0350	32	3.62		50	56	62
		0500	38	4.71		50	56	62
		0750	45	7.36		52	58	64
		1000	50	9.24			64	70
		1500	63	15.3			70	76
		2400	75	23.9				77
		4200	95	42.4				90
		6600	120	66.3				100
		9500	150	95.4				
model DNP Page → 27 High power short stroke		0420	25	4.71	56	70	91	
		1000	38	10.6	61	78	100	
		1800	50	18.8	66	80	106	
		4700	75	46.8		80	106	
		7500	95	75.4		90	116	
		11800	120	117.8		100	126	
		18300	150	184.1		110	136	
model DNA Page → 31 Long stroke		0250	38	2.65				
		0500	45	4.71				
		0750	50	7.36				
		1500	75	15.3				
		3000	95	29.5				
		5000	120	49.8				

Specifications at-a-glance

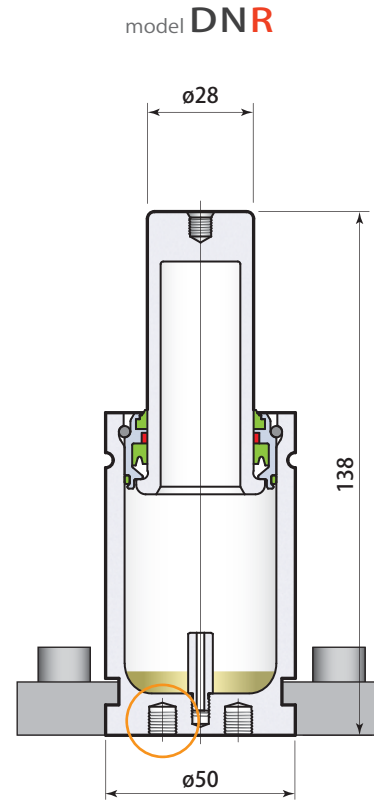
Total height mm														Piping port	
Stroke mm														Type	Page
19	25	32	38	50	63 ※	75	80	100	125	160	200	250	300		
78	90	104	116	140	166	190	200	240	290					M6	59
78	90	104	116	140	166	190	200	240	290						
85	97	111	123	147	173	197	207	247	297						
90	102	116	128	152	178	202	212	252	302						
90	102	116	128	152	178	202	212	252	302						
97	109	123	135	159	185	209	219	259	309						
100	112	126	138	162	188	212	222	262	312						
110	122	136	148	172	198	222	232	272	322						
116	128	142	154	178	204	228	238	278	328						
68	80	94	106	130	156	180	190	230	280					M6	59
68	80	94	106	130	156	180	190	230	280						
70	82	96	108	132	158	182	192	232	282						
76	88	102	114	138	164	188	198	238	288						
82	94	108	120	144	170	194	204	244	294						
83	95	109	121	145	171	195	205	245	295						
96	108	122	134	158	184	208	218	258	308						
106	118	132	144	168	194	218	228	268	318						
116	128	142	154	178	204	228	238	278	328						
120														—	—
135															
135															
135															
145															
155															
165															
100				150	177		210	250						G1/8	51~58
135				185	212		245		405						
									415	495	595	695			
									430	510					
									440	520					
									460	540					

※ 63.5mm for model DNA

- The threaded hole depth is different between model **DNK** and model **DNR**.



model **DNK1000-50**



model **DNR1000-50**

- Threaded hole size at the bottom

Model	Threaded hole size
DNK0350	2-M6 depth 11
DNK0500	2-M6 depth 16
DNK0750	2-M8 depth 16
DNK1000	2-M10 depth 16
DNK1500	2-M8 depth 16 4-M8 depth 16
DNK2400	
DNK4200	4-M12 depth 16
DNK6600	
DNK9500	

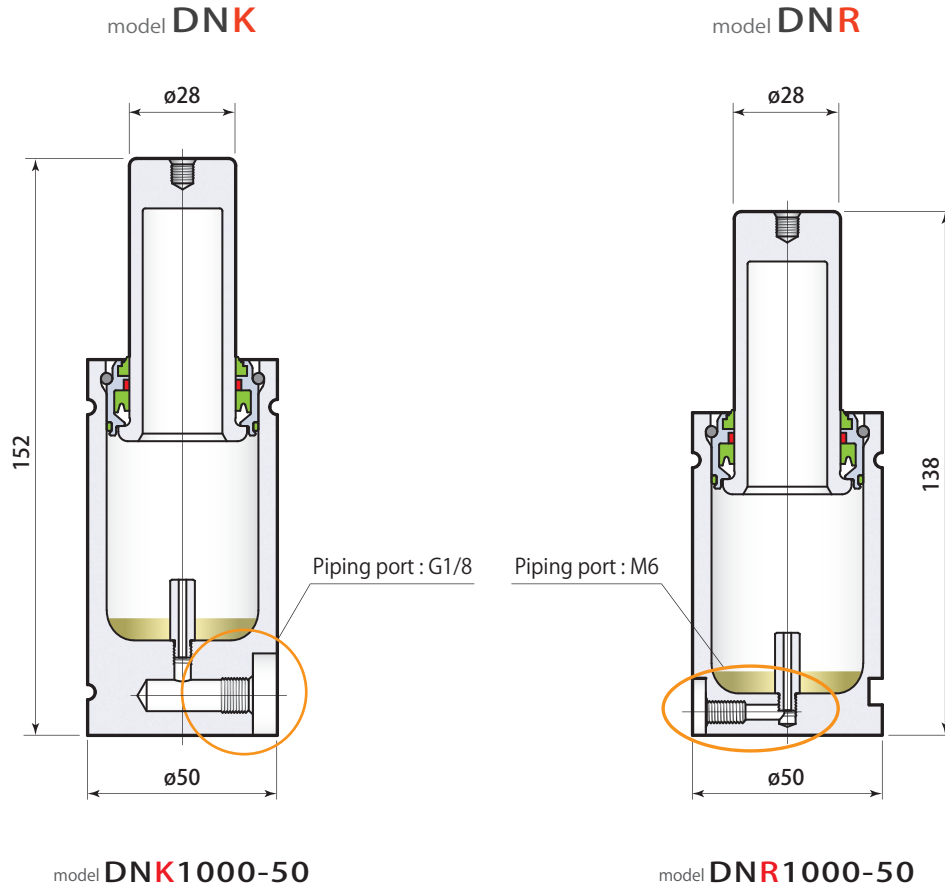
- The model to be mounted with flange

Model	Threaded hole size
DNR0350	2-M6 depth 6
DNR0500	2-M6 depth 6
DNR0750	
DNR1000	2-M8 depth 6
DNR1500	
DNR2400	4-M8 depth 6

- The model to be mounted by screws securely

Model	Threaded hole size
DNR4200	4-M 8 depth 13
DNR6600	4-M10 depth 13
DNR9500	4-M10 depth 16

- The piping port size is different between model **DNK** and **DNR**.



- Piping port size

Model	Size
DNK0350	M6
DNK0500	
DNK0750	G1/8
DNK1000	
DNK1500	
DNK2400	
DNK4200	
DNK6600	
DNK9500	

- Piping port size

Model	Size
DNR0350	M6
DNR0500	
DNR0750	
DNR1000	
DNR1500	G1/8
DNR2400	
DNR4200	
DNR6600	
DNR9500	

- For the model **DNR2400** and smaller, the mount face should be milled off to secure the space for the adapter due to the thin wall at the bottom. (Refer to page → 59)