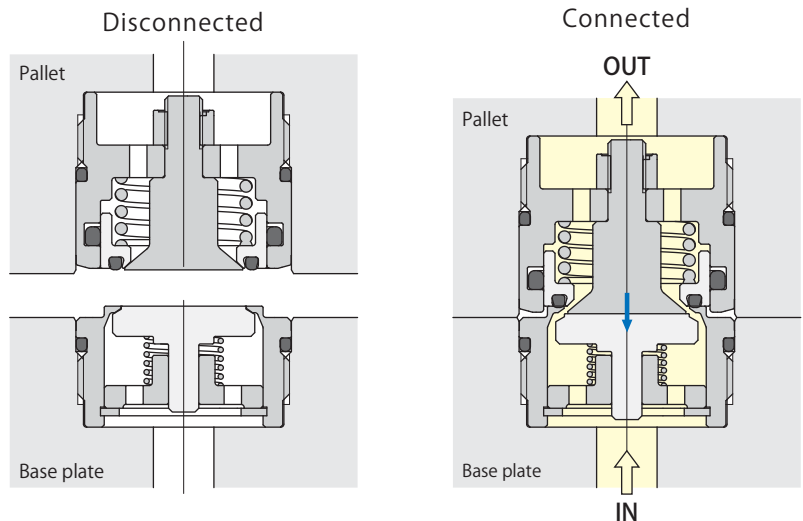
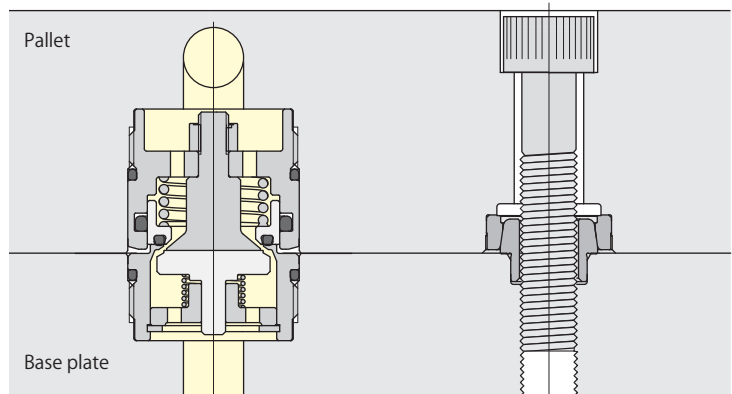


Air & coolant coupler with large orifice area and capability to accommodate large flow rates.

Pal coupler socket
Blow air & coolant
model **WVP-3GSN**



Pal coupler plug
Blow air & coolant
model **WVP-3GPN**



Specifications

- Large orifice area allows to supply large volume of coolant or blow air.
- Height of coupler is maintained low in order to reduce thickness of pallet.
- This model is designed to use on flat mating faces with no protrusion from mount face.

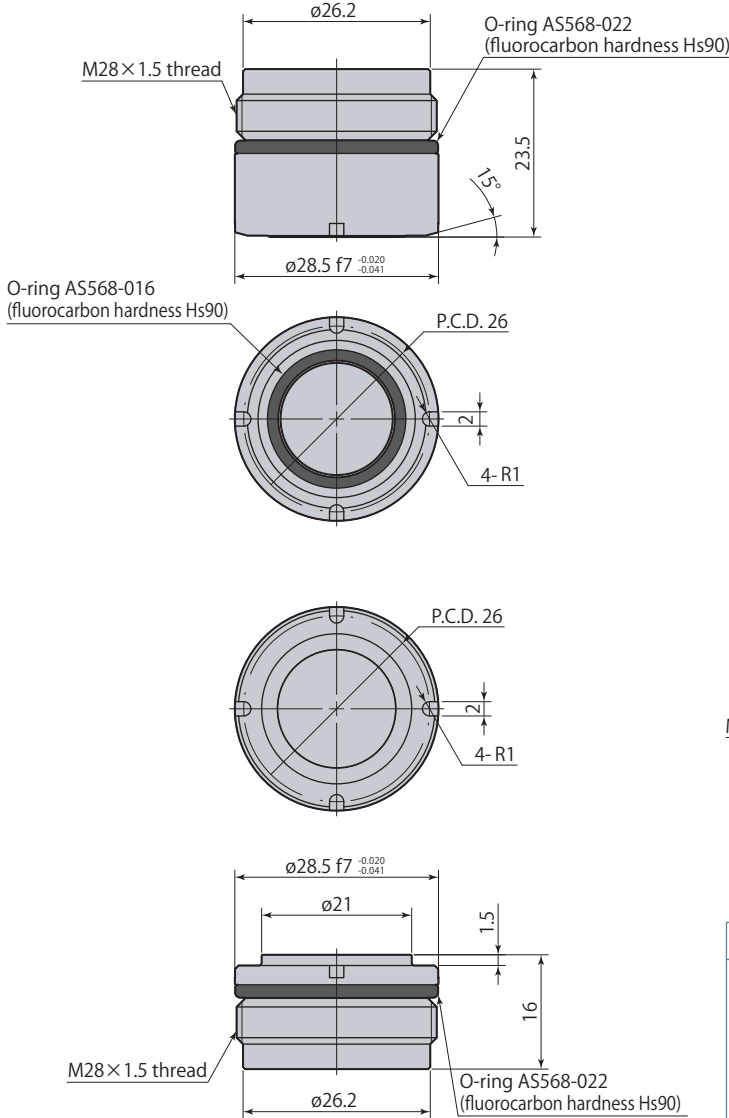
Max. pressure	1 MPa	Circuit symbol Air & coolant Connect/disconnect under pressure : Incapable
Proof pressure	1.5 MPa	
Orifice area	29.0 mm ²	
Fluid used	Air & coolant	
Allowable eccentricity	±0.5 mm	
Allowable inclination	0.3° or less	
Reactive force*	380 N per 1 MPa fluid pressure	
	Max. spring force for no pressure 60 N	
Operating temperature	0~70 °C	
Mass	WVP-3GSN: 77 g	WVP-3GPN: 48 g

* : Reactive force (N) = Fluid pressure (MPa) × 380 + 60

Dimensions

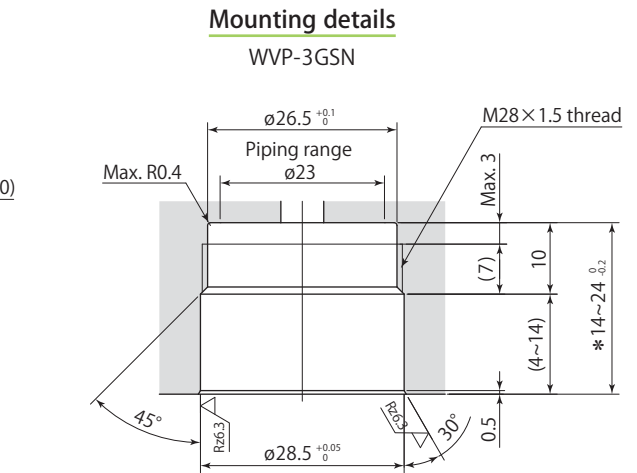
WVP-3GSN

Blow air & coolant socket
Recommended tightening torque : 30 N·m



WVP-3GPN

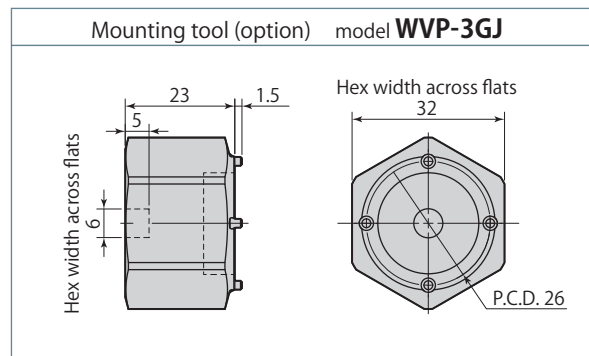
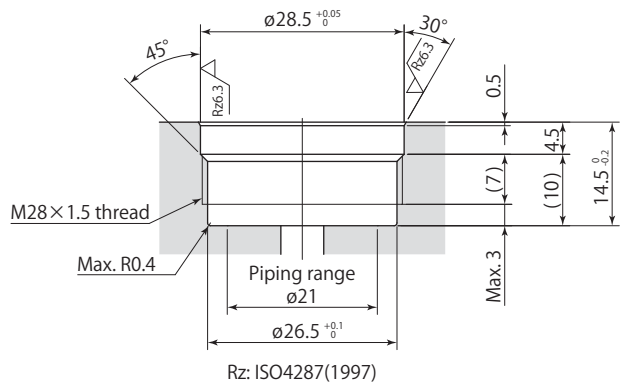
Blow air & coolant plug
Recommended tightening torque : 30 N·m



* : When using Pal fix as a set, be sure to set depth to 24₀. Refer to pages →64~75 for details on Pal fix.

Mounting details

WVP-3GPN



Caution in use

- Fluid leaks from the tip of coupler when supplying it under disconnected state.
- Stop supplying fluid during disconnection and connection operations disconnecting or connecting coupler while fluid is flowing results in the leakage.
- Coupler has no built in filter. Ensure that foreign substances on connecting surfaces are removed by blowing air before connecting to prevent intrusion of foreign substances into piping.
- Provide the stopper and the guide as shown in the diagram to protect coupler from damage unless it is used in combination with Pal fix. Do not use a coupler as a guide or stopper when connecting. It may cause the damage. Install the stopper to have the dimension 38.5₀^{0.5} (See diagram on the right). Observe allowable eccentricity and inclination value when installing the guide. (Refer to page →86 for details on allowable eccentricity and inclination value.)

