

Operation panel

User friendly control panels with compact body and high visible indication.
It is mountable on IMM or wall of IMM utilizing the tap holes at the rear side. (M4 bolts x 4 accessories)

[For vertical loading]

model ESTL-A



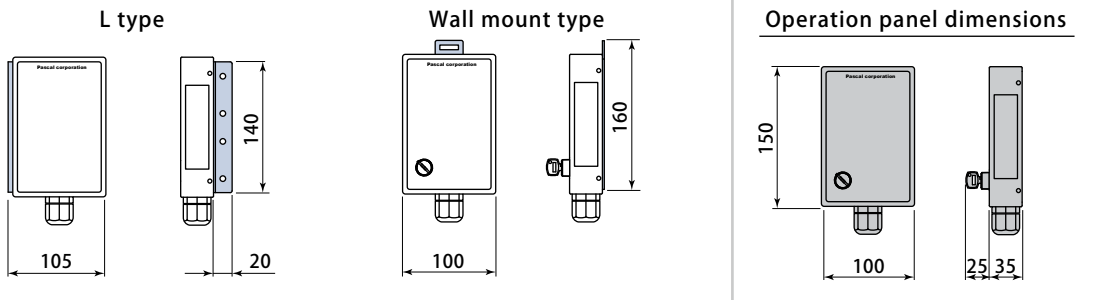
[For horizontal loading]

model ESTL-B



Model	ESTL-A	ESTL-B
Loading direction	Vertical loading	Horizontal loading
Weight	kg 0.6	0.6

Mounting bracket



Operation panel ESTL

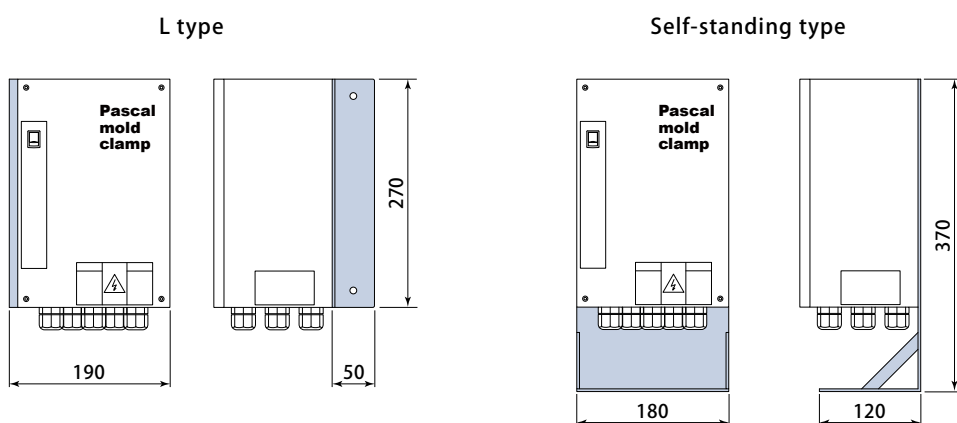
Control box

model ECTL



Model		ECTL
Weight	kg	4

Mounting bracket



Interlock

The following interlock is incorporated into the electric control circuit for hydraulic and air clamp, so the mold changing operation can be performed safely.

- The operation of hydraulic and air clamp is feasible when all of conditions ①~⑥ shown below have become complete at time of mold changing.

Hydraulic/Air clamp : ①Mold changing

IMM : ②Set up mode(or manual mode), ③Injection nozzle retract back, ④Ejector retract back, ⑤Mold clamped by platen, ⑥Safety door

Regarding the condition of IMM side such as ②, ③ and ⑤, it can be confirmed with LED lamp on operation panel.