

Mold rotator

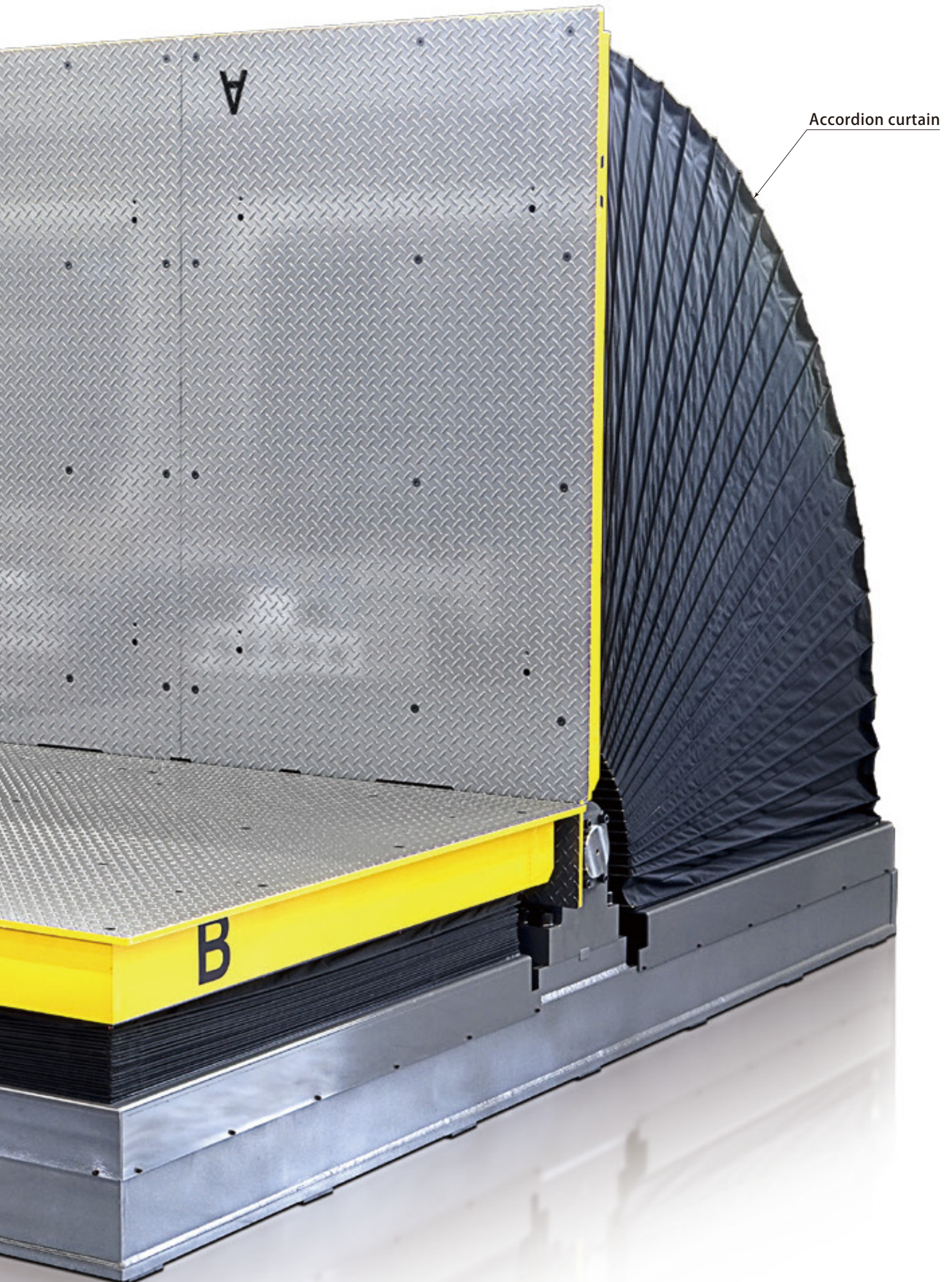
Flat type model **SMF**

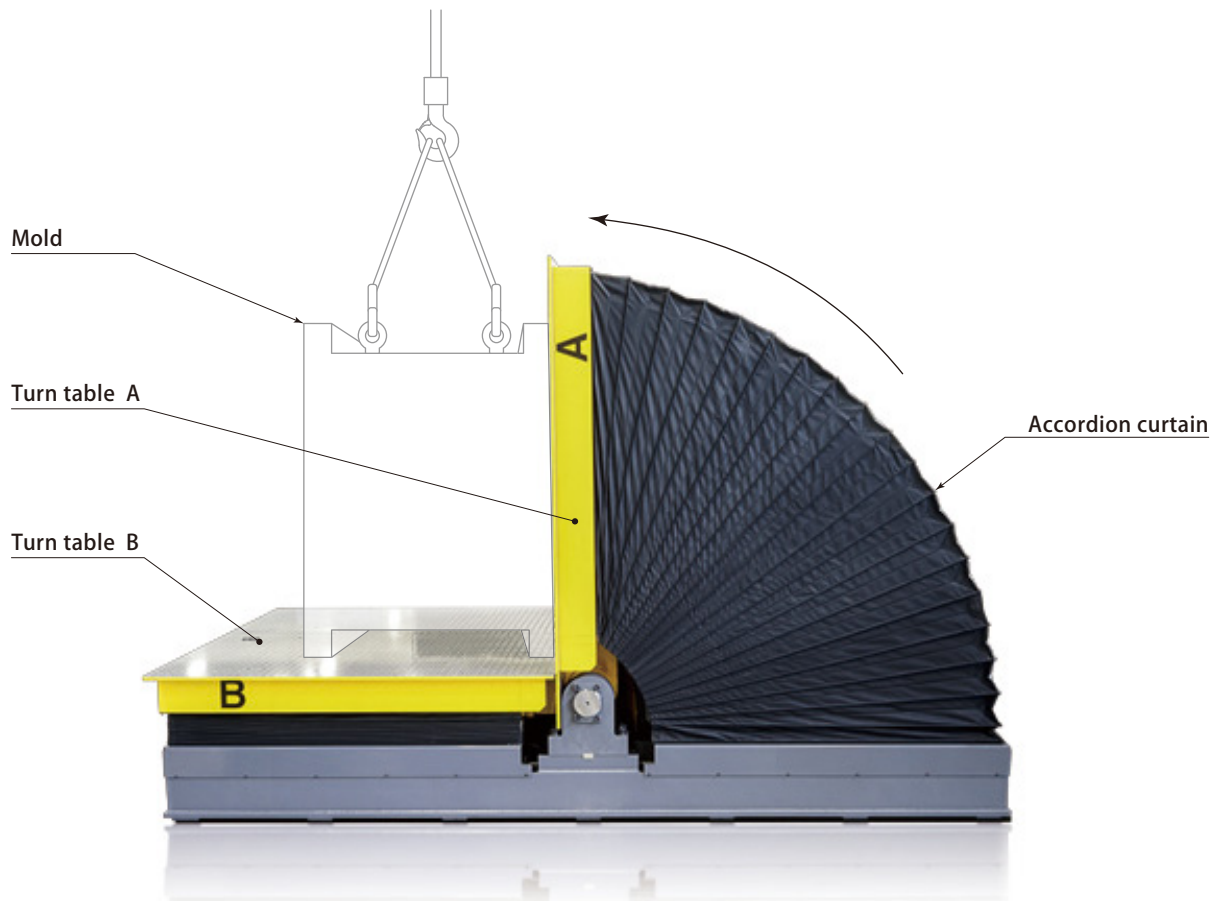
**Molds and large sized components
can be rotated safely and quickly.**

Rotatable weight 1, 3, 5, 10, 15, 20, 30 ton

Mold rotator Flat type model **SMF**



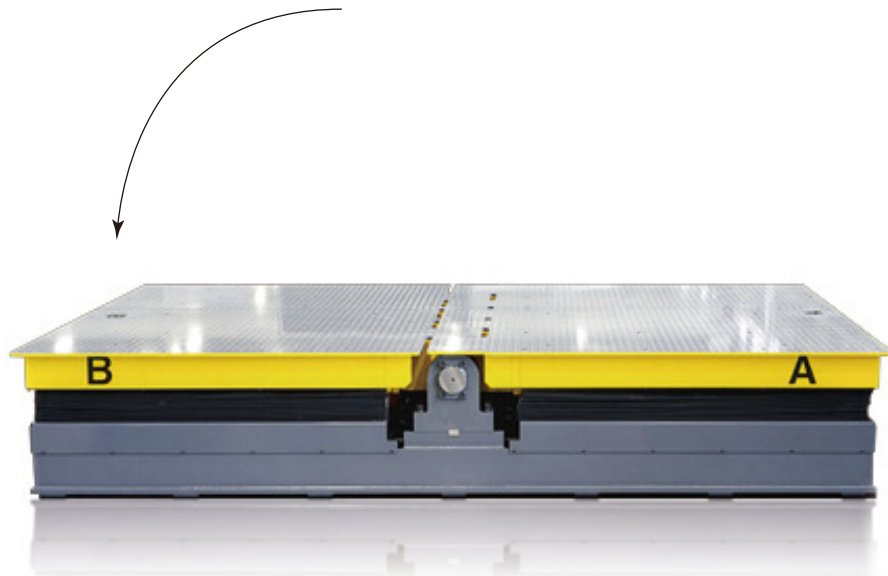




① Turn table A upright and set up the mold.



② Rotate the mold



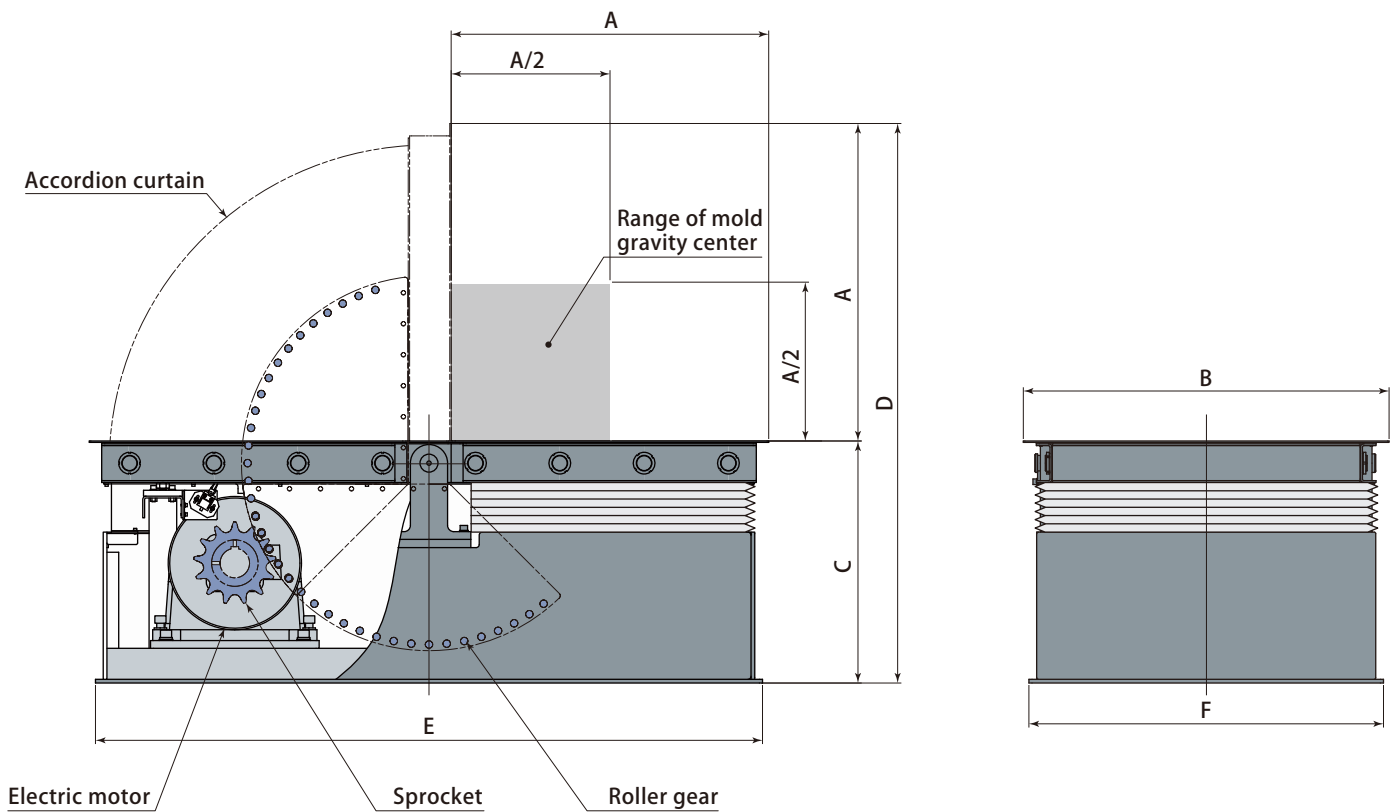
③ Rotation completed. Turn table B downward



SMF can be embedded and flattened as shown in the photo.
The table is rigid enough to be passed by a forklift or a truck.

Roller gear driven (electric motor) type

Rotatable weight	90° Rotation time (at 60 Hz)	Model
1 ton	20 sec.	SMF 01 M
3 ton	30 sec.	SMF 03 M
5 ton	30 sec.	SMF 05 M

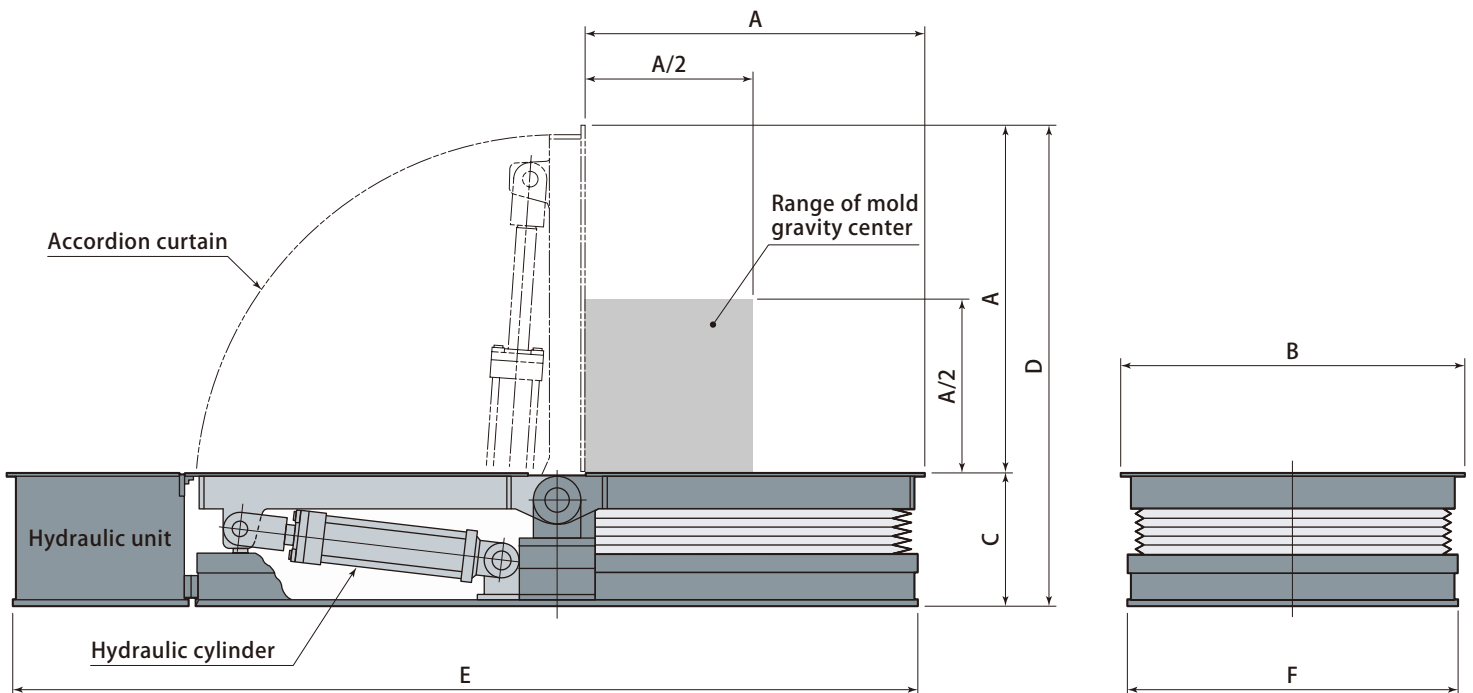


- Mold may not be able to be rotated properly even though its weight is under max limit unless the center of gravity of the mold stays in the . Contact Pascal for the details.
- Mold may not be able to be rotated properly when the center of gravity of the mold come near the top plate even though the center of gravity stays in the . Contact Pascal for the details.
- An outer frame (option) is required separately when the rotator is embedded in the floor. Contact Pascal for the details.
- Electric motor driven models SMF01M, SMF03M and SMF05M are not equipped with hydraulic control unit.

Model		SMF01M	SMF03M	SMF05M
Max. rotation weight	ton	1	3	5
90° Rotation time (at 60 Hz)	sec.	20	30	30
Drive motor (AC200V, 3-phase)	kW	0.75×2	1.5×2	2.2×2
Weight	ton	1	2	3
A	mm	600	900	1025
B	mm	700	1000	1180
C	mm	480	670	790
D	mm	1080	1570	1815
E	mm	1255	1920	2200
F	mm	645	1050	1120

Hydraulic cylinder driven type

Rotatable weight	90° Rotation time (at 60 Hz)	Model
10 ton	50 sec.	SMF 10 H
15 ton	45 sec.	SMF 15 H
20 ton	50 sec.	SMF 20 H
30 ton	70 sec.	SMF 30 H



- Mold may not be able to be rotated properly even though its weight is under max limit unless the center of gravity of the mold stays in the . Contact Pascal for the details.
- Mold may not be able to be rotated properly when the center of gravity of the mold come near the top plate even though the center of gravity stays in the . Contact Pascal for the details.
- An outer frame (option) is required separately when the rotator is embedded in the floor. Contact Pascal for the details.

Model		SMF10H	SMF15H	SMF20H	SMF30H
Max. rotation weight	ton	10	15	20	30
90° Rotation time (at 60 Hz)	sec.	50	45	50	70
Drive motor (AC200V, 3-phase)	kW	3.7	7.5	11	15
Weight	ton	5	6	8	14
A	mm	1270	1500	1700	2000
B	mm	1300	1500	1700	2200
C	mm	525	620	620	750
D	mm	1795	2120	2320	2750
E	mm	3500	4100	4460	5130
F	mm	1230	1430	1630	2100

Pascal

corporation

Itami, Hyogo, Japan 664-8502
TEL. +81-72-777-3333 FAX. +81-72-777-3520

Chicago, U.S.A.	TEL. +1-847-427-1234
Stuttgart, Germany	TEL. +49-711-782-850-0
Dalian, China	TEL. +86-411-8732-2988
Shanghai, China	TEL. +86-21-5263-4122
Changwon, Korea	TEL. +82-55-274-0971
Bangkok, Thailand	TEL. +66-2173-5855
