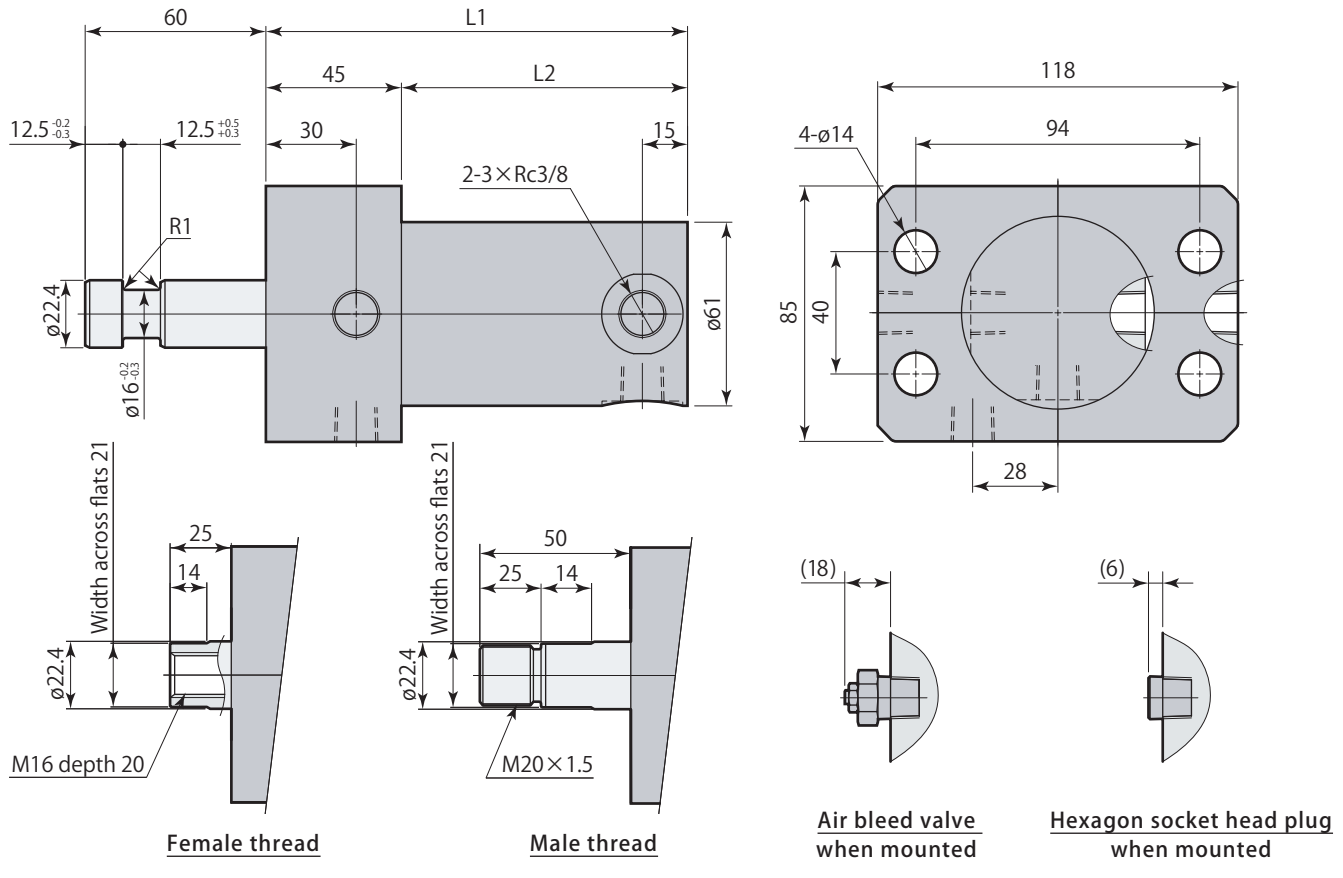


Inner diameter $\phi 50$ Three piece full bore cylinder

Model designation **KF L 050** Rod tip section specifications Packing specifications Stroke

● Refer to **page → 38** for the details of model.

Stroke	mm	10	15	20	25	50	65	80	100	125	150
L1	mm	100	105	110	115	140	155	170	190	215	240
L2	mm	55	60	65	70	95	110	125	145	170	195
Mass	kg	4.2	4.3	4.3	4.4	4.6	4.8	5.0	5.2	5.5	5.7



Specifications

Model		KFL050	
Cylinder inner diameter	mm	50	
Rod diameter	mm	22.4	
Maximum allowable working pressure	MPa	16	
Stroke	mm	See the table shown above	
Cylinder force *1	Push	kN	31.4
	Pull	kN	25.1
Included *2		Air bleed valve (2)	
		Hexagon socket head plug (2)	

*1 : Hydraulic pressure at 16MPa. Refer to Performance diagram (page → 39).
 *2 : Mounting screws are not included.

Inner diameter $\phi 63$ Three piece full bore cylinder

Model designation

KF L 063

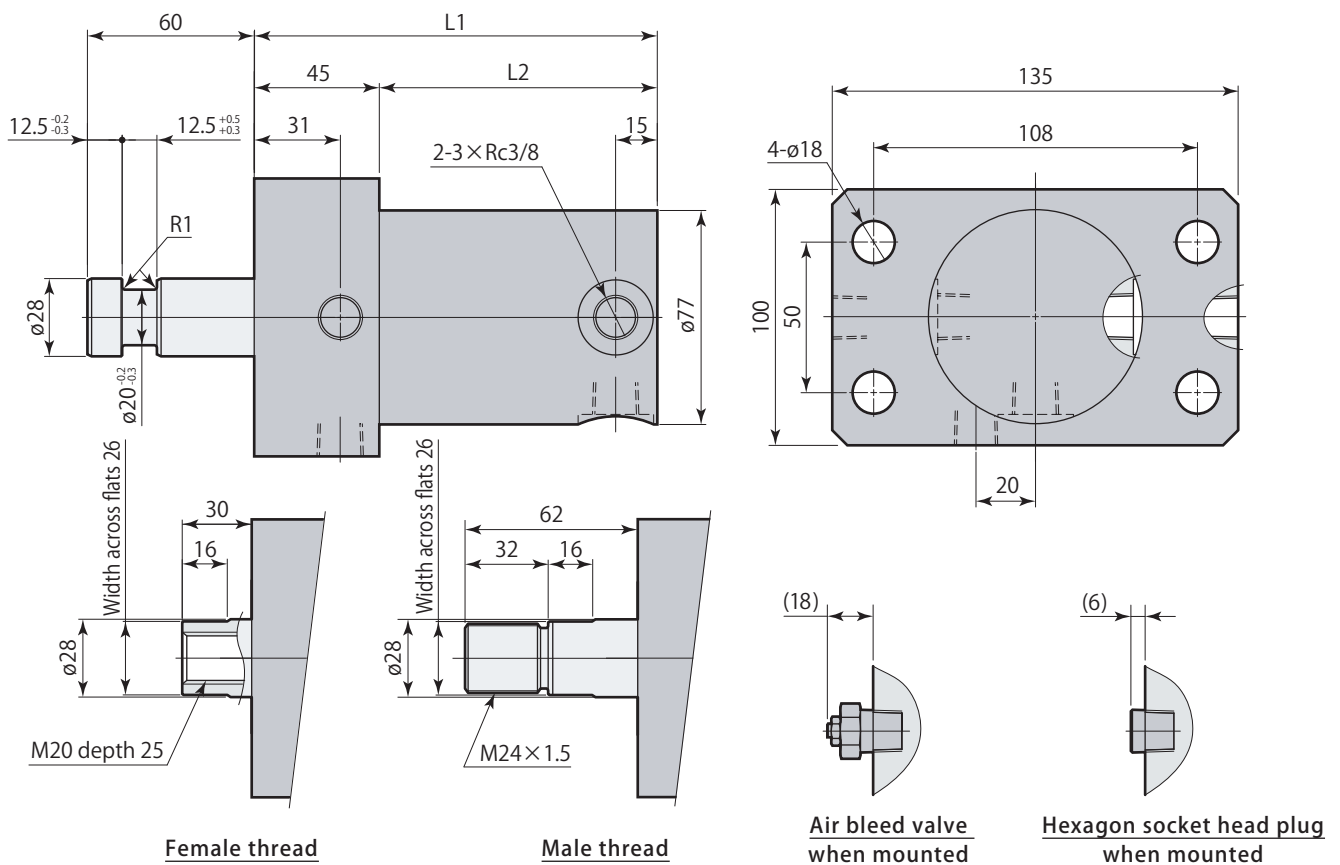
Rod tip section specifications

Packing specifications

Stroke

● Refer to **page → 38** for the details of model.

Stroke	mm	10	15	20	25	50	65	80	100	125	150
L1	mm	105	110	115	120	145	160	175	195	220	245
L2	mm	60	65	70	75	100	115	130	150	175	200
Mass	kg	6.4	6.5	6.6	6.7	7.1	7.3	7.6	7.9	8.4	8.8



Specifications

Model		KFL063	
Cylinder inner diameter	mm	63	
Rod diameter	mm	28	
Maximum allowable working pressure	MPa	16	
Stroke	mm	See the table shown above	
Cylinder force *1	Push	kN	49.9
	Pull	kN	40.0
Included *2		Air bleed valve (2)	
		Hexagon socket head plug (2)	

*1 : Hydraulic pressure at 16MPa. Refer to Performance diagram (**page → 39**).

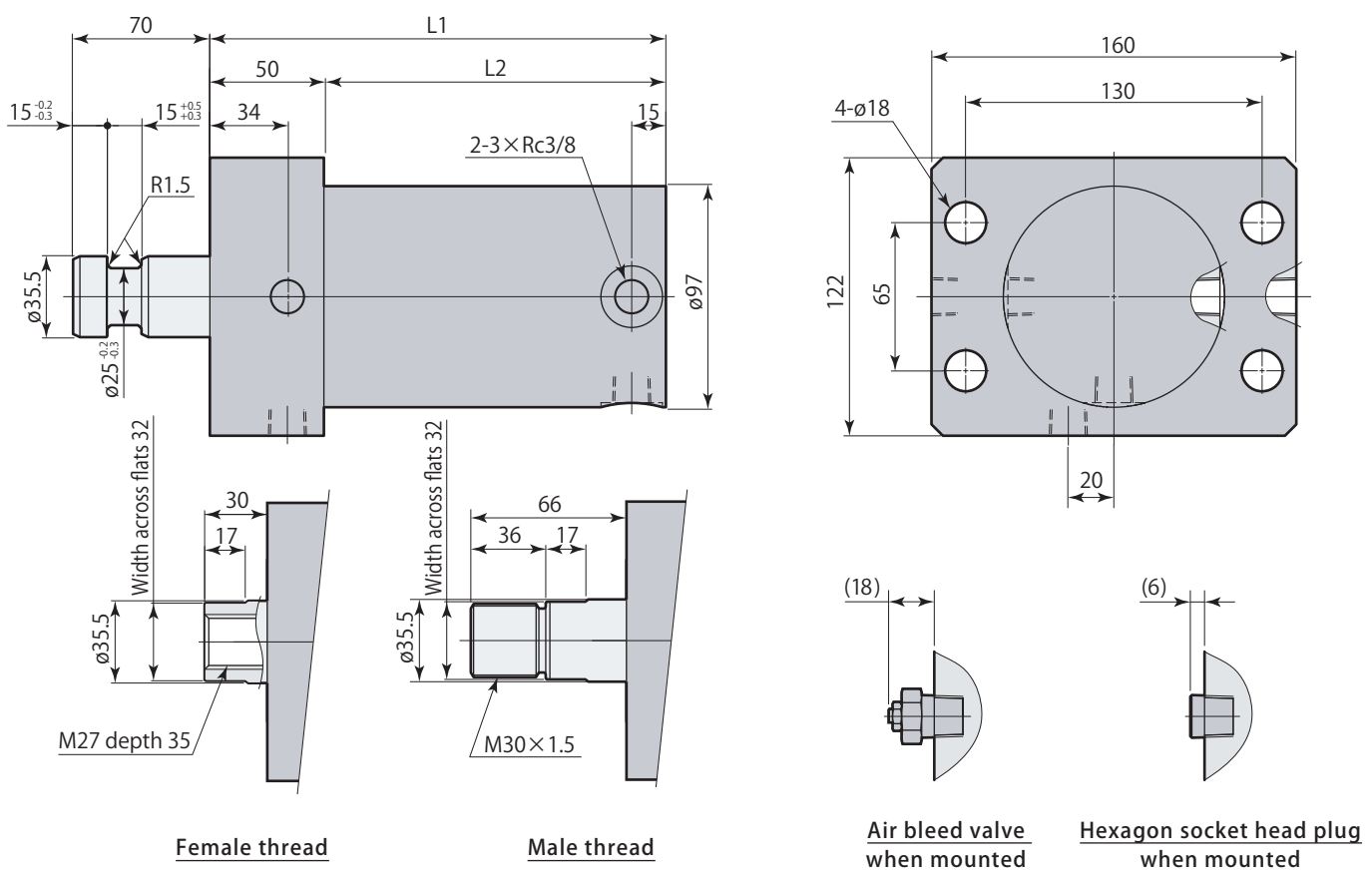
*2 : Mounting screws are not included.

Inner diameter $\phi 80$ Three piece full bore cylinder

Model designation **KF L 080** Rod tip section specifications Packing specifications Stroke

● Refer to **page → 38** for the details of model.

Stroke	mm	10	15	20	25	50	65	80	100	125	150	200
L1	mm	110	115	120	125	150	165	180	200	225	250	300
L2	mm	60	65	70	75	100	115	130	150	175	200	250
Mass	kg	10.2	10.4	10.5	10.6	11.3	11.7	12.1	12.6	13.3	13.9	15.2



Specifications

Model		KFL080	
Cylinder inner diameter	mm	80	
Rod diameter	mm	35.5	
Maximum allowable working pressure	MPa	16	
Stroke	mm	See the table shown above	
Cylinder force *1	Push	kN	80.4
	Pull	kN	64.6
Included *2		Air bleed valve (2)	
		Hexagon socket head plug (2)	

*1 : Hydraulic pressure at 16MPa. Refer to Performance diagram (page → 39).
 *2 : Mounting screws are not included.

Inner diameter $\phi 100$ Three piece full bore cylinder

Model designation

KF L 100

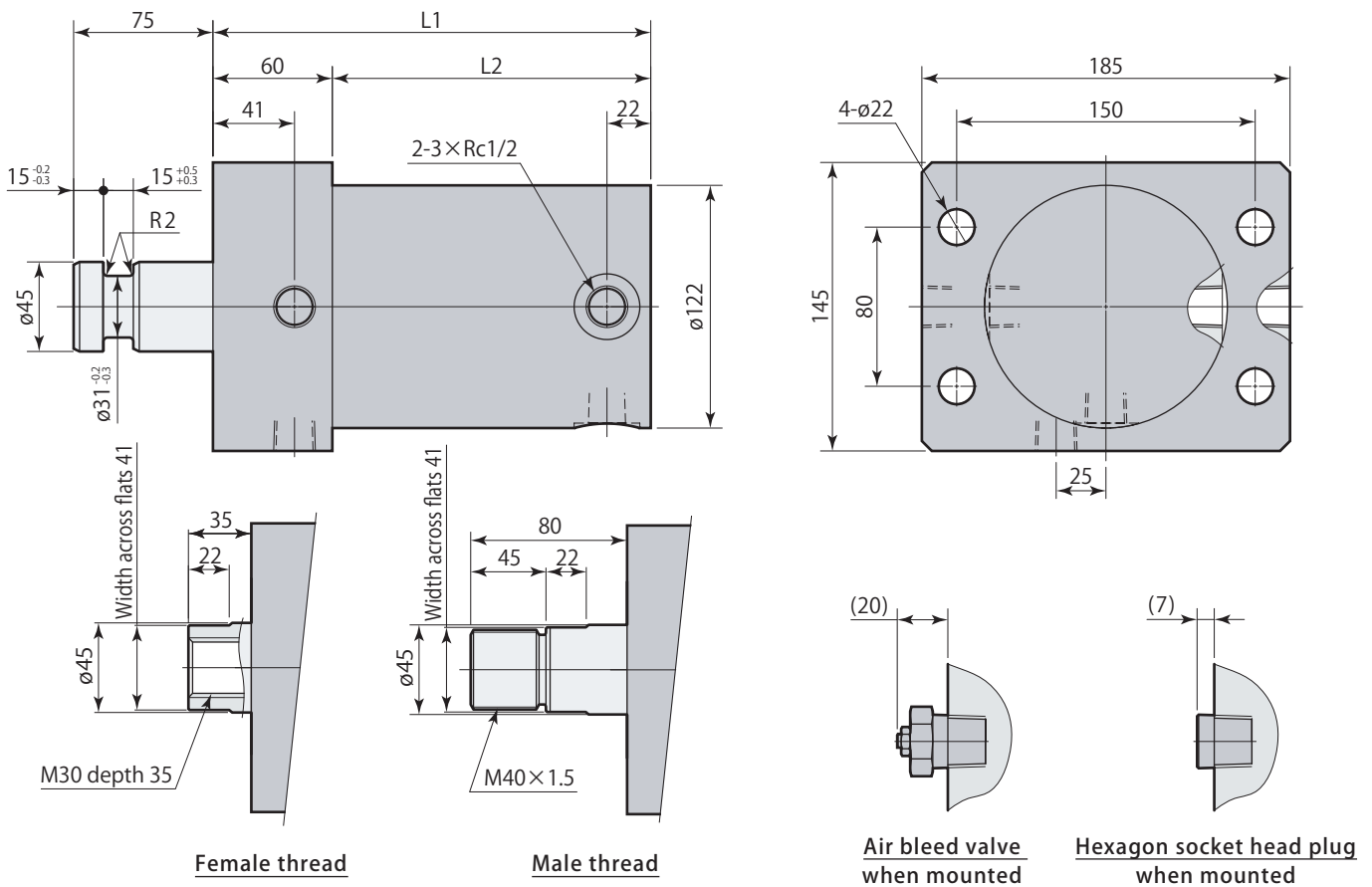
Rod tip section specifications

Packing specifications

Stroke

Refer to **page → 38** for the details of model.

Stroke	mm	10	15	20	25	50	65	80	100	125	150	200
L1	mm	130	135	140	145	170	185	200	220	245	270	320
L2	mm	70	75	80	85	110	125	140	160	185	210	260
Mass	kg	17.8	18.0	18.3	18.5	19.5	20.2	20.8	21.7	22.8	23.8	25.9



Specifications

Model		KFL100	
Cylinder inner diameter	mm	100	
Rod diameter	mm	45	
Maximum allowable working pressure	MPa	16	
Stroke	mm	See the table shown above	
Cylinder force *1	Push	kN	125.7
	Pull	kN	100.2
Included *2		Air bleed valve (2)	
		Hexagon socket head plug (2)	

*1 : Hydraulic pressure at 16MPa. Refer to Performance diagram (page →39).

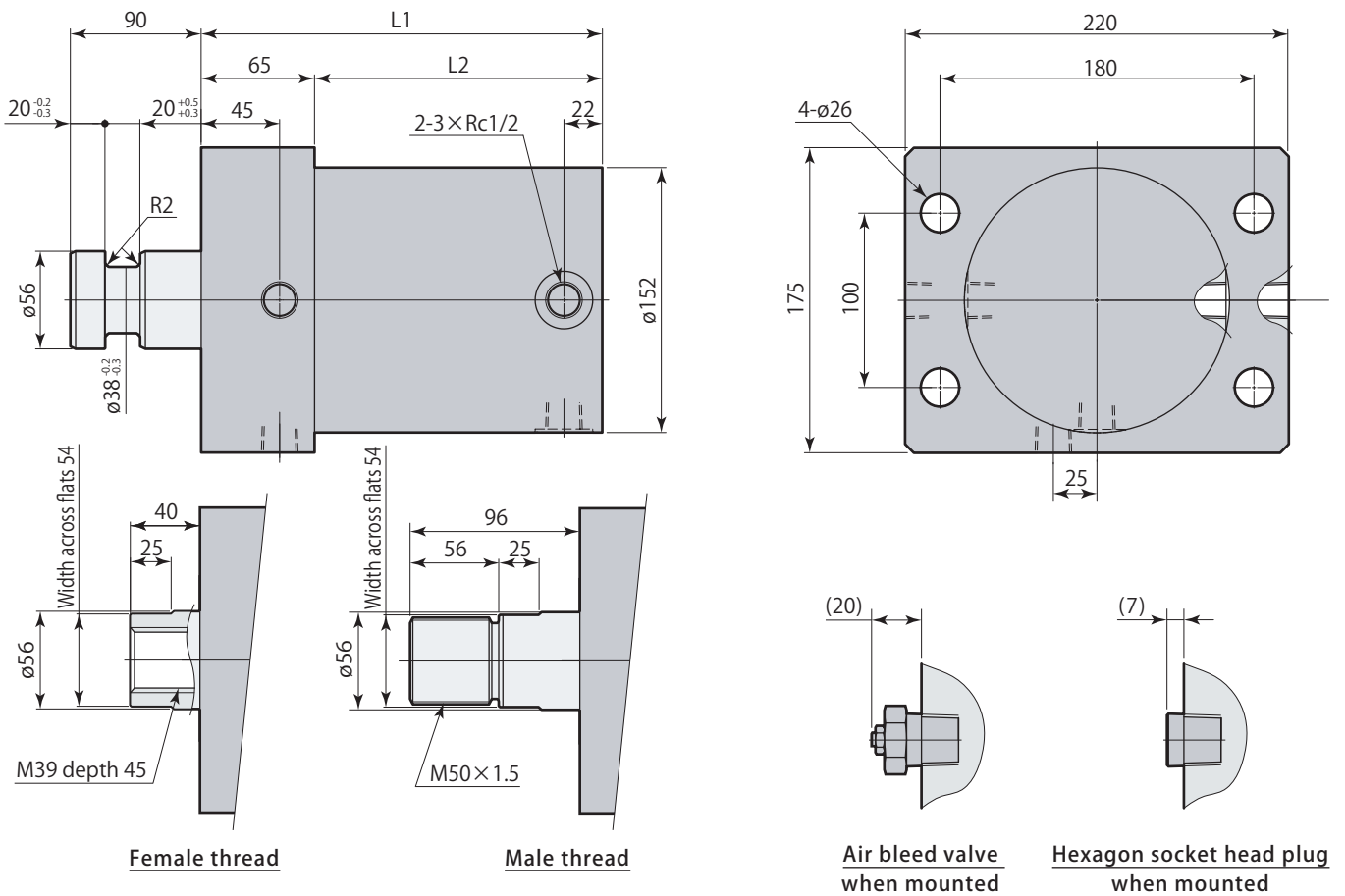
*2 : Mounting screws are not included.

Inner diameter $\phi 125$ Three piece full bore cylinder

Model designation **KF L 125** Rod tip section specifications Packing specifications Stroke

● Refer to **page → 38** for the details of model.

Stroke	mm	50	65	80	100	125	150	200
L1	mm	180	195	210	230	255	280	330
L2	mm	115	130	145	165	190	215	265
Mass	kg	31.2	32.2	33.2	34.5	36.2	37.8	41.0



Specifications

Model		KFL125	
Cylinder inner diameter	mm	125	
Rod diameter	mm	56	
Maximum allowable working pressure	MPa	16	
Stroke	mm	See the table shown above	
Cylinder force *1	Push	kN	196.3
	Pull	kN	156.9
Included *2		Air bleed valve (2)	
		Hexagon socket head plug (2)	

*1 : Hydraulic pressure at 16MPa. Refer to Performance diagram (page →40).

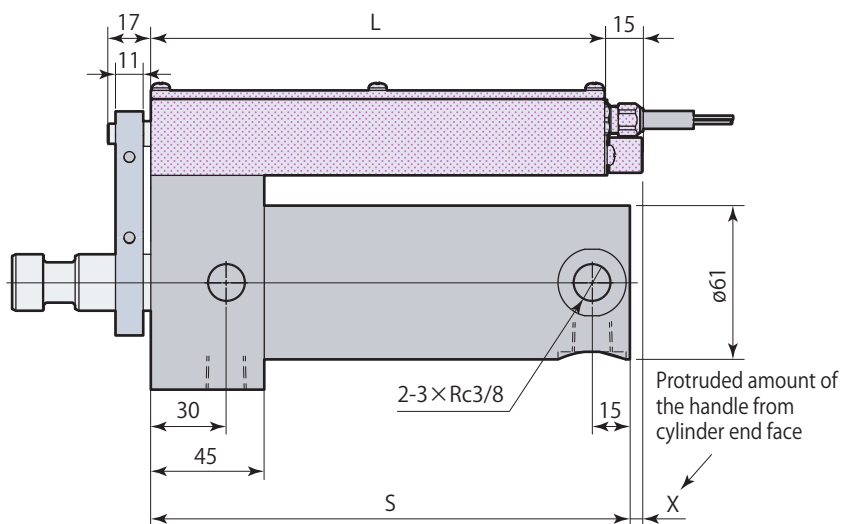
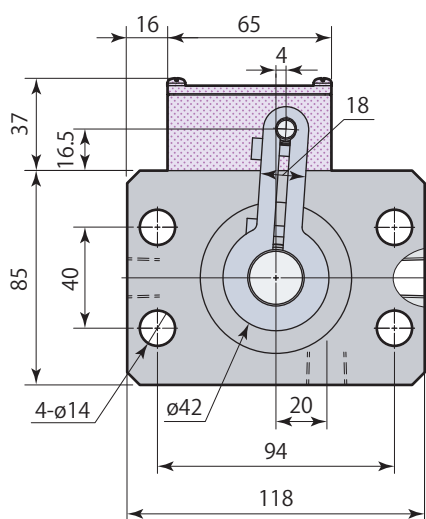
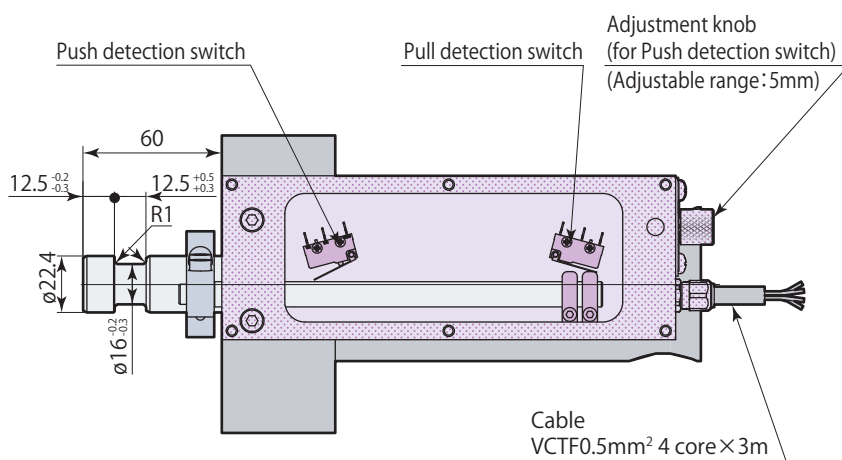
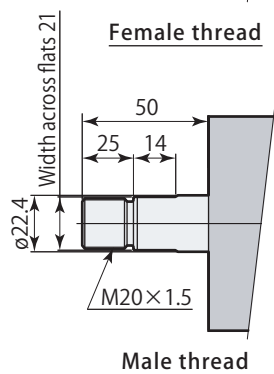
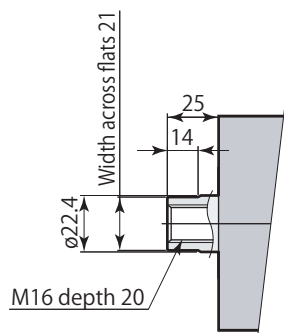
*2 : Mounting screws are not included.

Inner diameter $\phi 50$ Three piece full bore cylinder B-type switch

Model designation **KF B 050** Rod tip section specifications Packing specifications Stroke

● Refer to **page → 38** for the details of model.

Stroke	mm	10	15	20	25	50	65	80	100	125	150
S	mm	100	105	110	115	140	155	170	190	215	240
L	mm	110	110	110	110	130	145	160	180	205	230
X	mm	25	20	15	10	5	5	5	5	5	5



Limit switch model	Electrical rating		Operating temperature
SSM33A1 (azbil)	AC	5A,250V	-25°C ~ 105°C
	DC	2A,30V	

Inner diameter $\phi 63$ Three piece full bore cylinder B-type switch

Model designation

KF B 063

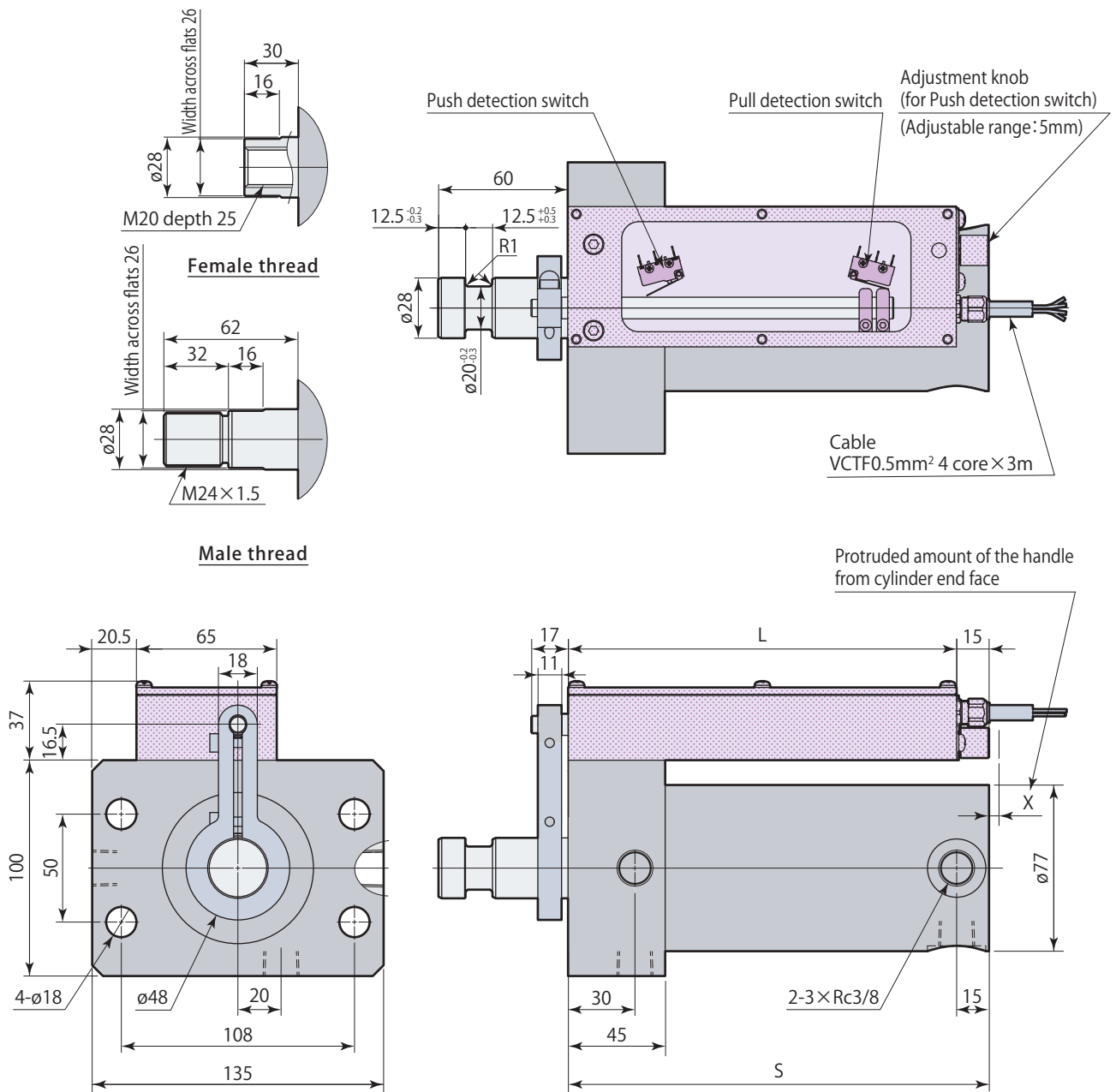
Rod tip section specifications

Packing specifications

Stroke

● Refer to **page → 38** for the details of model.

Stroke	mm	10	15	20	25	50	65	80	100	125	150
S	mm	105	110	115	120	145	160	175	195	220	245
L	mm	110	110	110	110	130	145	160	180	205	230
X	mm	20	15	10	5	0	0	0	0	0	0



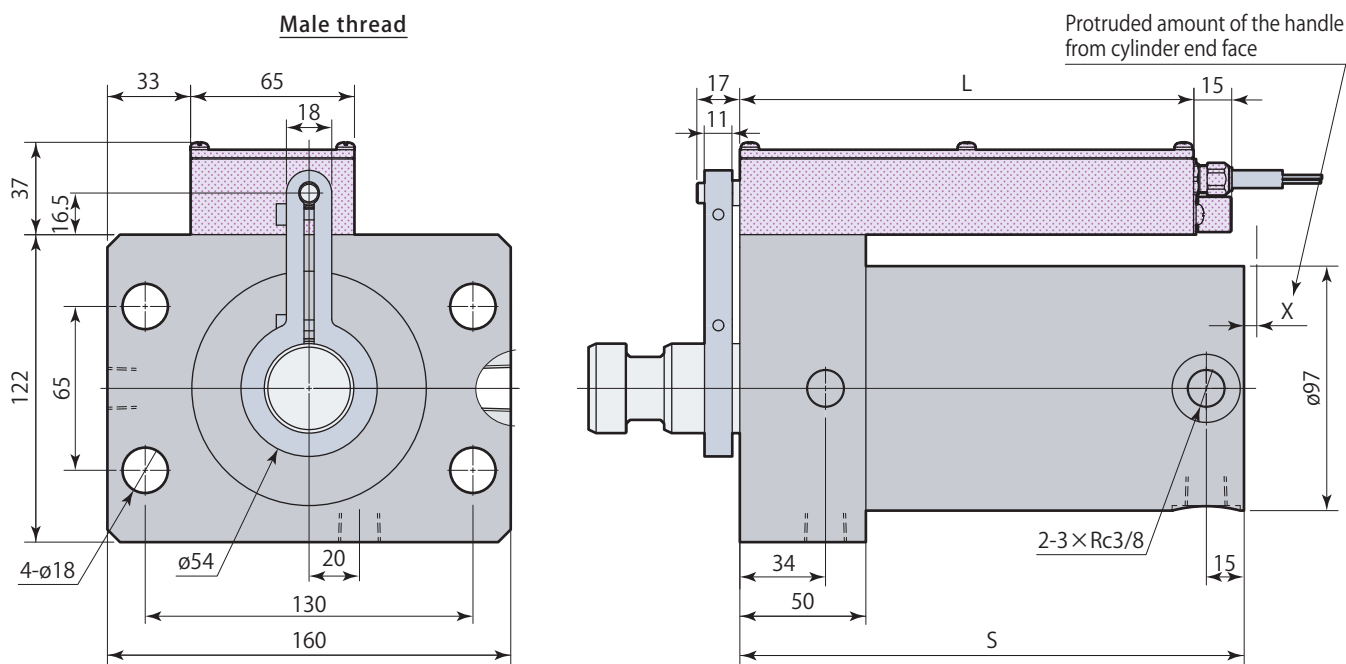
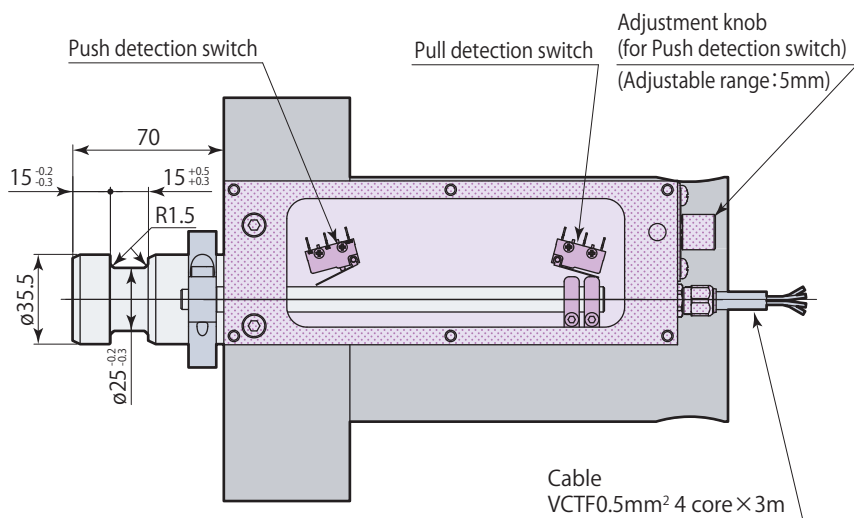
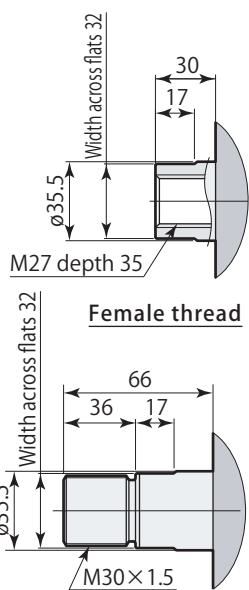
Limit switch model	Electrical rating		Operating temperature
SSM33A1 (azbil)	AC	5A,250V	-25°C ~ 105°C
	DC	2A,30V	

Inner diameter $\phi 80$ Three piece full bore cylinder B-type switch

Model designation **KF B 080** Rod tip section specifications Packing specifications Stroke

● Refer to **page → 38** for the details of model.

Stroke	mm	10	15	20	25	50	65	80	100	125	150
S	mm	110	115	120	125	150	165	180	200	225	250
L	mm	110	110	110	110	130	145	160	180	205	230
X	mm	15	10	5	0	0	0	0	0	0	0



Limit switch model	Electrical rating		Operating temperature
SSM33A1 (azbil)	AC	5A, 250V	-25°C ~ 105°C
	DC	2A, 30V	

Inner diameter $\phi 100$ Three piece full bore cylinder B-type switch

Model designation

KF B 100

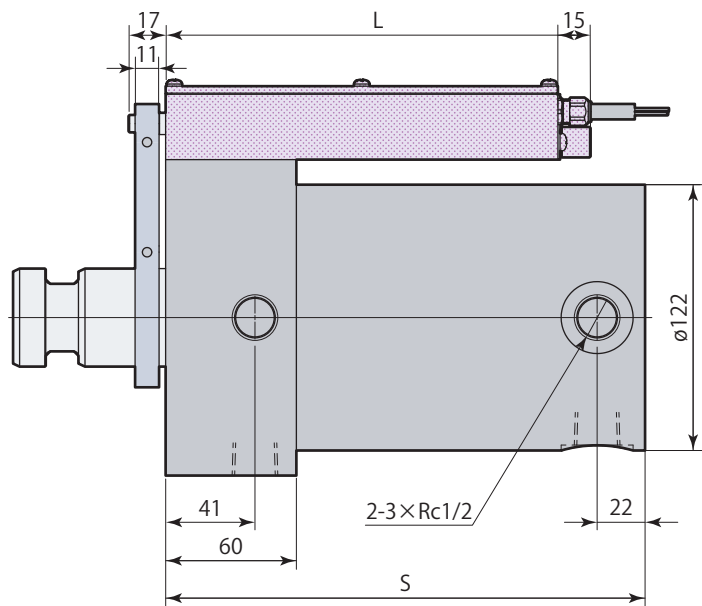
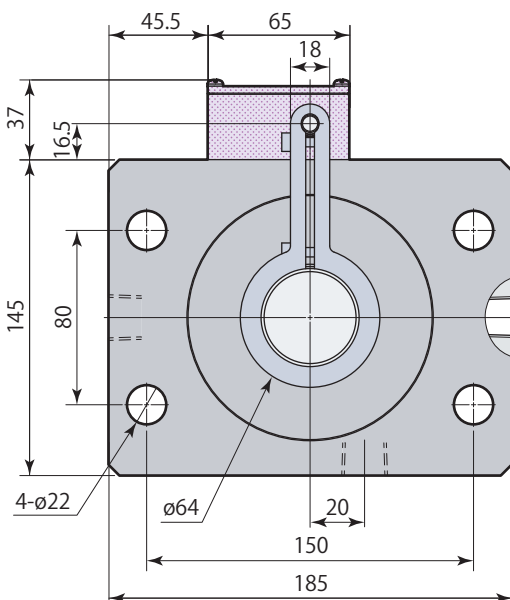
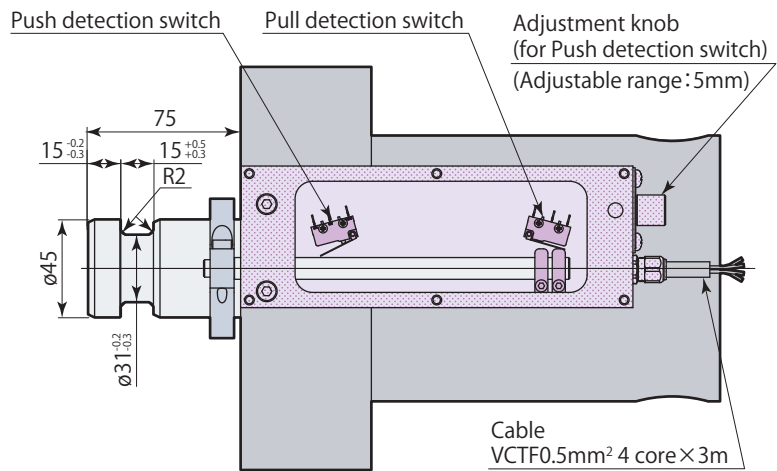
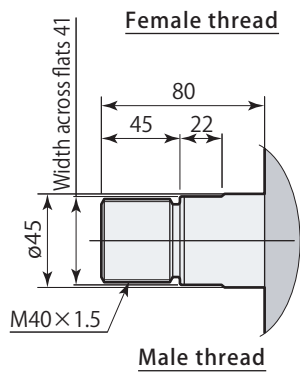
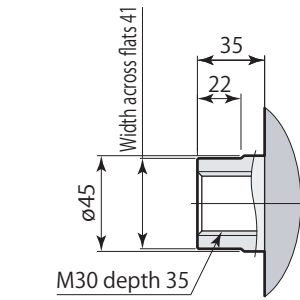
Rod tip section specifications

Packing specifications

Stroke

● Refer to **page → 38** for the details of model.

Stroke	mm	10	15	20	25	50	65	80	100	125	150
S	mm	130	135	140	145	170	185	200	220	245	270
L	mm	110	110	110	110	130	145	160	180	205	230



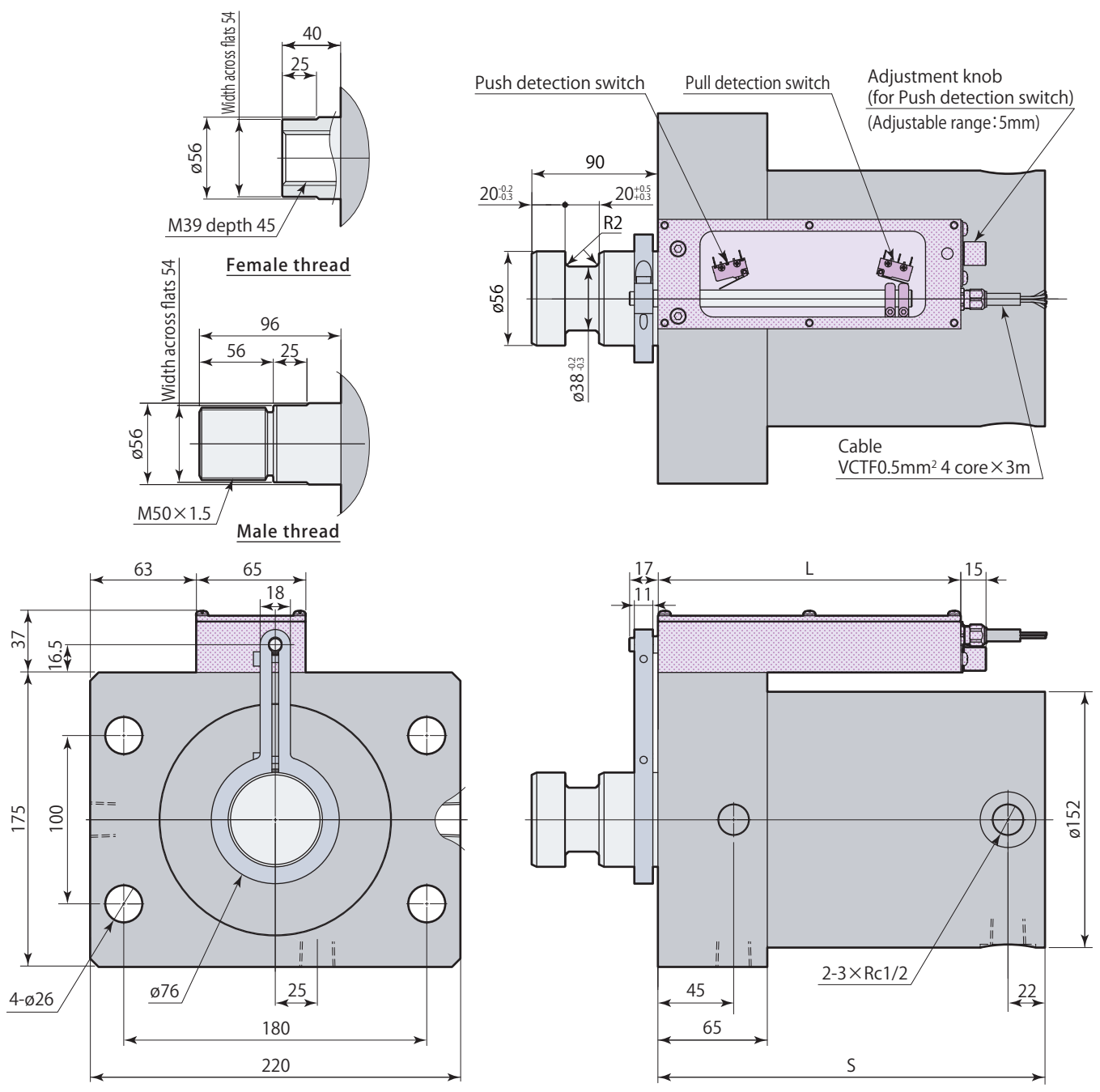
Limit switch model	Electrical rating		Operating temperature
SSM33A1 (azbil)	AC	5A,250V	-25°C ~ 105°C
	DC	2A,30V	

Inner diameter $\phi 125$ Three piece full bore cylinder B-type switch

Model designation **KF B 125** Rod tip section specifications Packing specifications Stroke

● Refer to **page → 38** for the details of model.

Stroke	mm	50	65	80	100	125	150
S	mm	180	195	210	230	255	280
L	mm	130	145	160	180	205	230



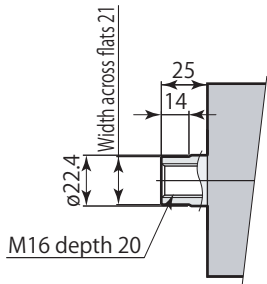
Limit switch model	Electrical rating		Operating temperature
SSM33A1 (azbil)	AC	5A,250V	-25°C ~ 105°C
	DC	2A,30V	

Inner diameter $\phi 50$ Three piece full bore cylinder S-type switch

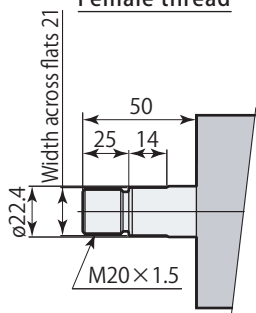
Model designation **KF S 050** Rod tip section specifications Packing specifications **Stroke** Limit switch mounting position

● Refer to **page → 38** for the details of model.

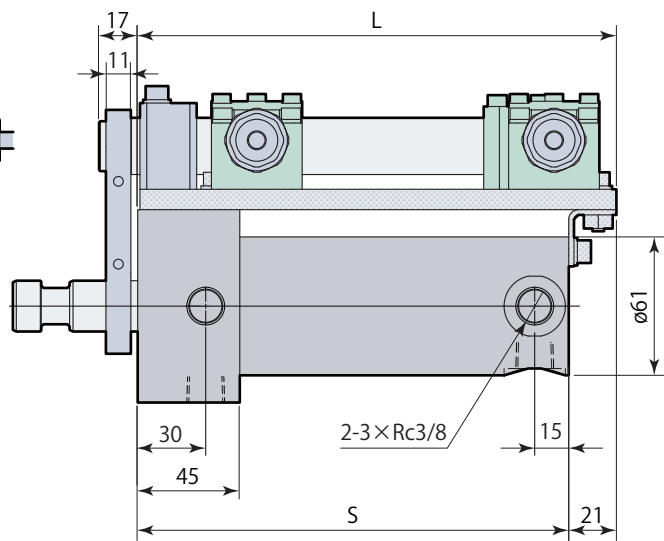
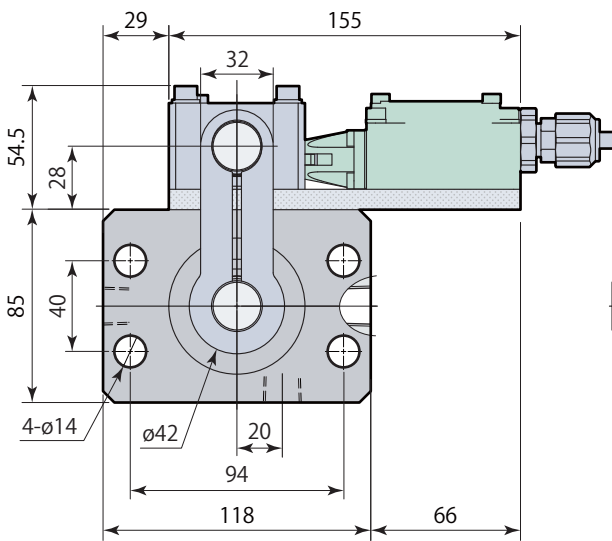
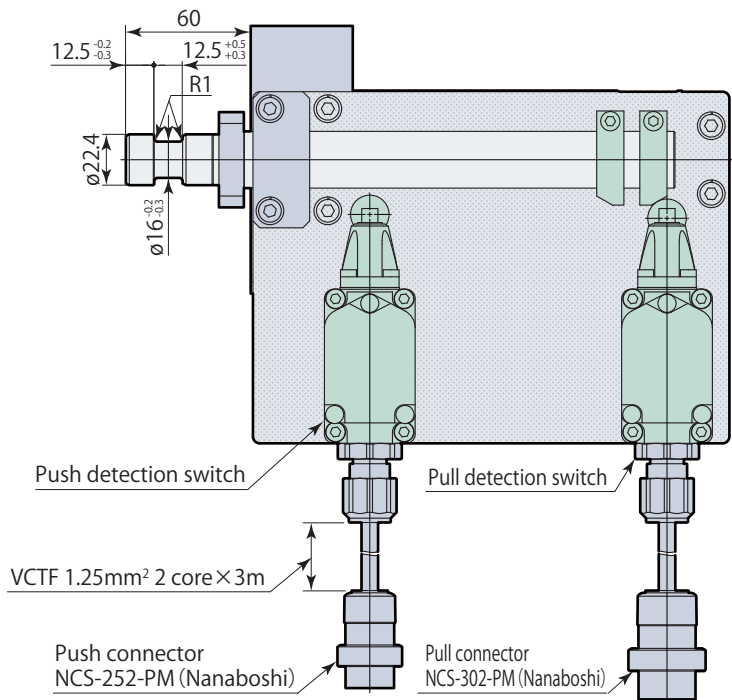
Stroke	mm	10	15	20	25	50	65	80	100	125	150
S	mm	100	105	110	115	140	155	170	190	215	240
L	mm	121	126	131	136	161	176	191	211	236	261



Female thread



Male thread



● This drawing indicates the limit switch mounting position R. The mounting position of limit switch for L is opposite to that of R.

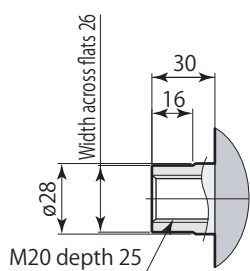
Limit switch model	Electrical rating		Operating temperature
WLD2-N (OMRON)	AC	10A,125V / 10A,250V / 10A,500V	-10°C ~ 80°C
	DC	10A,8V / 10A,14V / 6A,30V / 0.8A,125V / 0.4A,250V	

Inner diameter $\phi 63$ Three piece full bore cylinder S-type switch

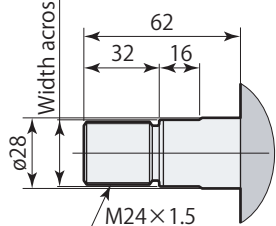
Model designation **KF S 063** Rod tip section specifications Packing specifications Stroke Limit switch mounting position

● Refer to **page → 38** for the details of model.

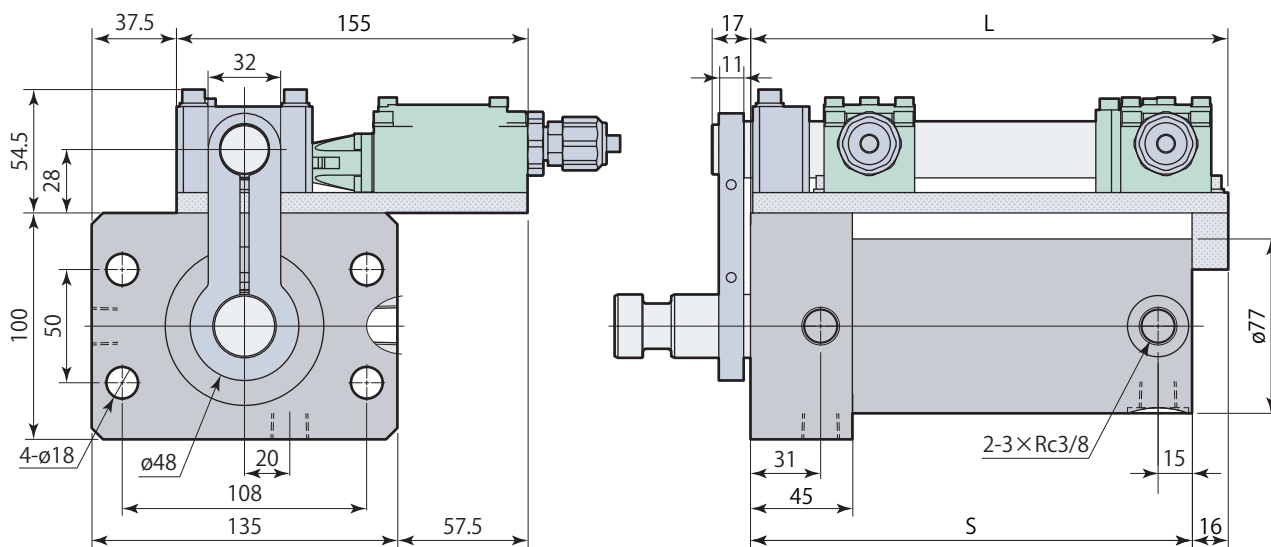
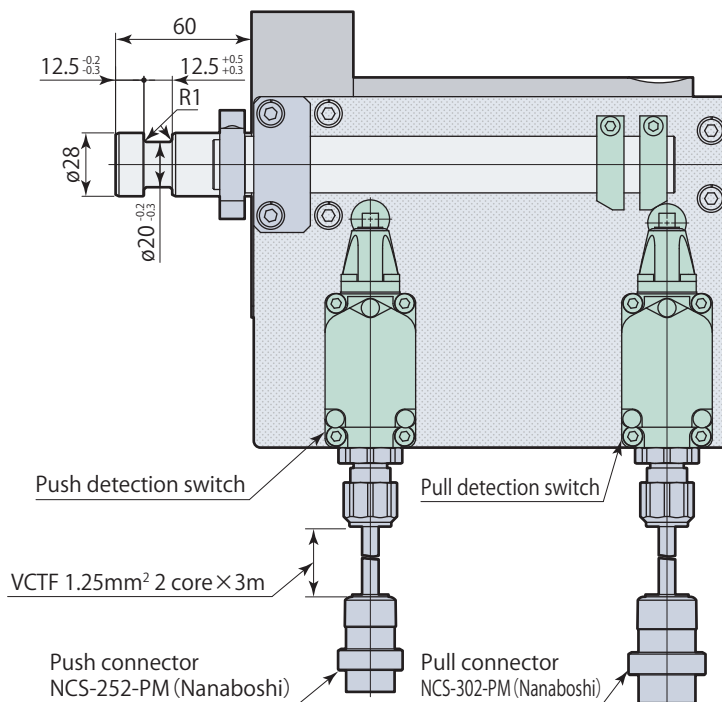
Stroke	mm	10	15	20	25	50	65	80	100	125	150
S	mm	105	110	115	120	145	160	175	195	220	245
L	mm	121	126	131	136	161	176	191	211	236	261



Female thread



Male thread



● This drawing indicates the limit switch mounting position R. The mounting position of limit switch for L is opposite to that of R.

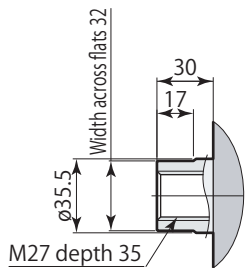
Limit switch model	Electrical rating		Operating temperature
WLD2-N (OMRON)	AC	10A,125V / 10A,250V / 10A,500V	-10°C ~ 80°C
	DC	10A,8V / 10A,14V / 6A,30V / 0.8A,125V / 0.4A,250V	

Inner diameter $\phi 80$ Three piece full bore cylinder S-type switch

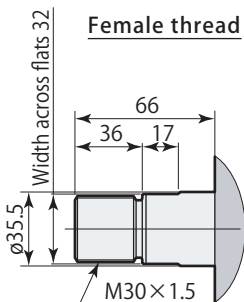
Model designation **KF S 080** Rod tip section specifications Packing specifications **Stroke** Limit switch mounting position

● Refer to **page → 38** for the details of model.

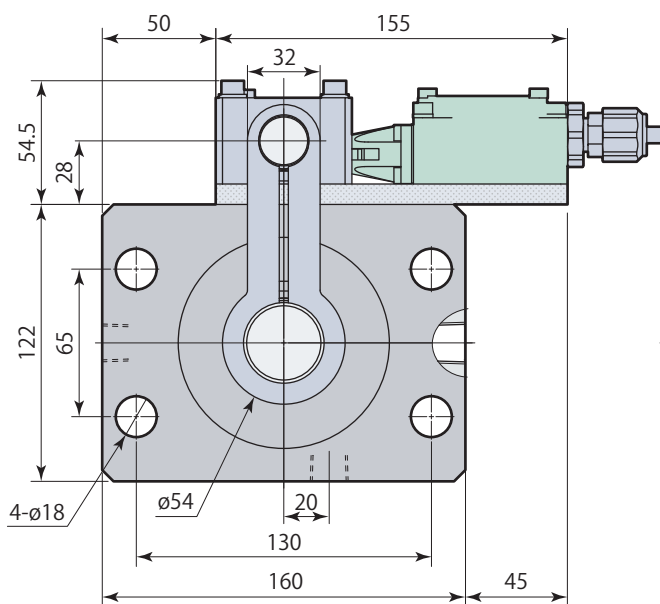
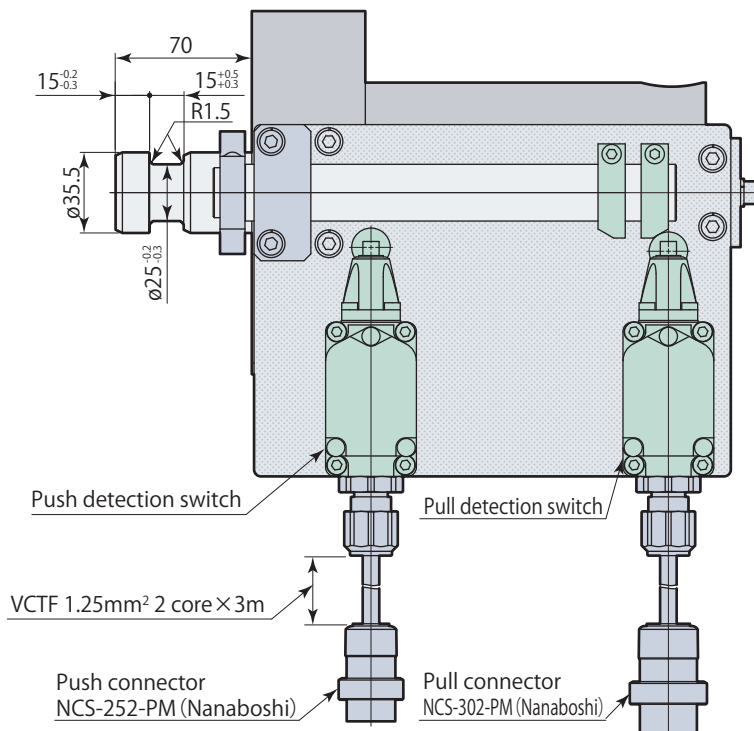
Stroke	mm	10	15	20	25	50	65	80	100	125	150	200
S	mm	110	115	120	125	150	165	180	200	225	250	300
L	mm	121	126	131	136	161	176	191	211	236	261	311



Female thread



Male thread



● This drawing indicates the limit switch mounting position R. The mounting position of limit switch for L is opposite to that of R.

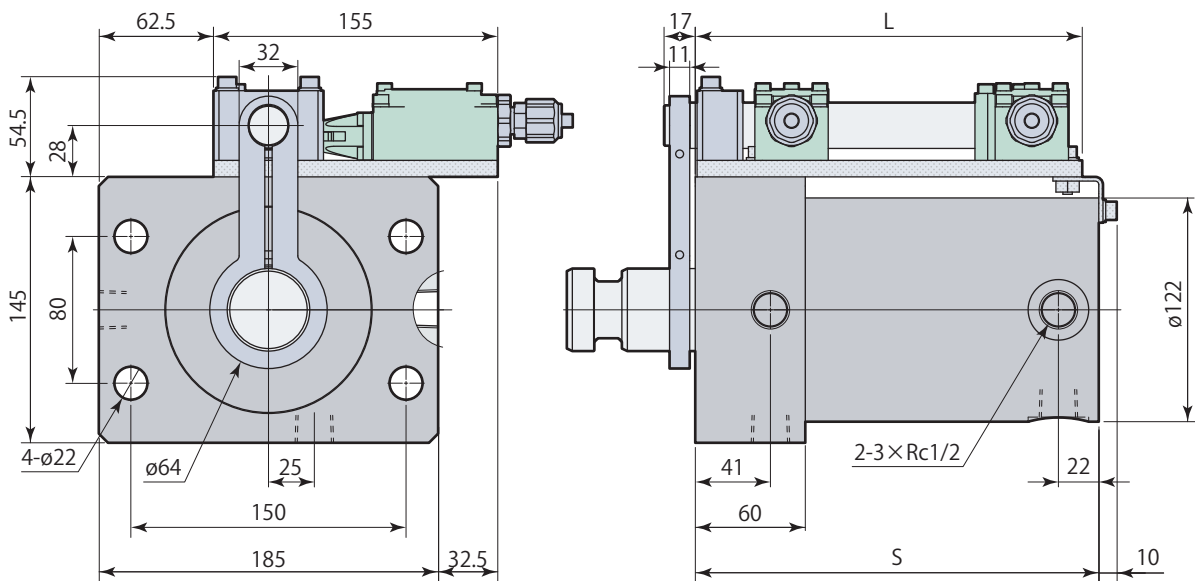
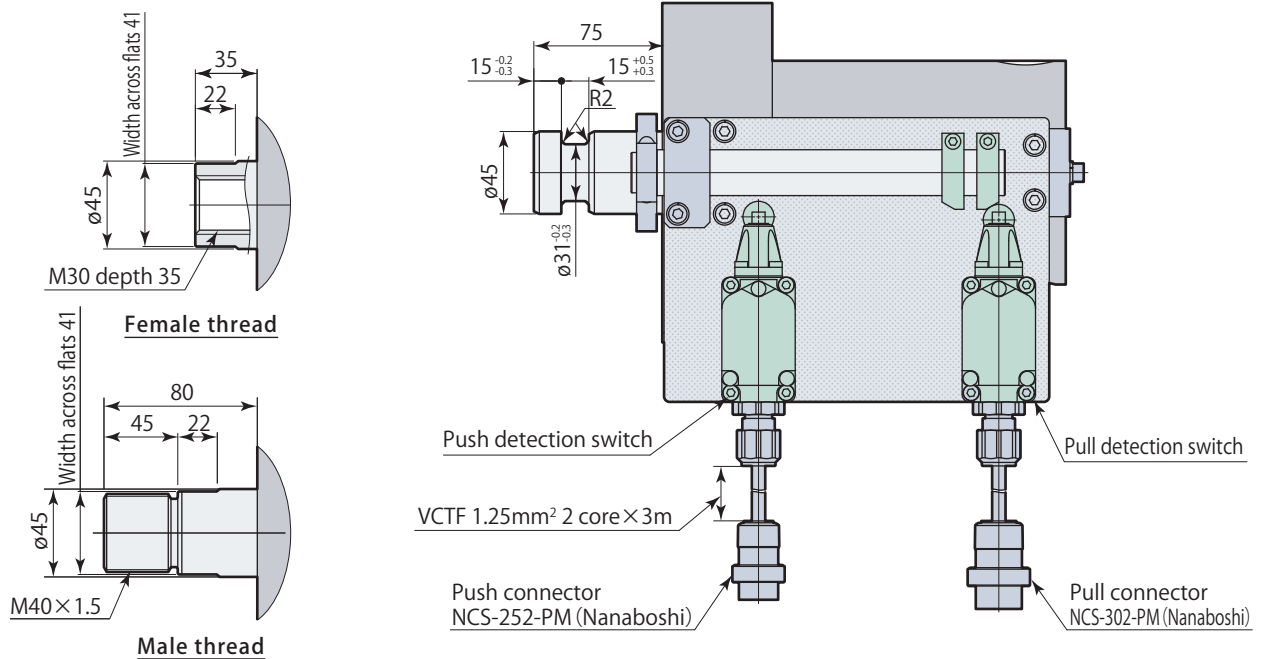
Limit switch model	Electrical rating		Operating temperature
WLD2-N (OMRON)	AC	10A,125V / 10A,250V / 10A,500V	-10°C ~ 80°C
	DC	10A,8V / 10A,14V / 6A,30V / 0.8A,125V / 0.4A,250V	

Inner diameter $\phi 100$ Three piece full bore cylinder S-type switch

Model designation **KF S 100** Rod tip section specifications Packing specifications Stroke Limit switch mounting position

● Refer to **page → 38** for the details of model.

Stroke	mm	10	15	20	25	50	65	80	100	125	150	200
S	mm	130	135	140	145	170	185	200	220	245	270	320
L	mm	121	126	131	136	161	176	191	211	236	261	311



● This drawing indicates the limit switch mounting position R. The mounting position of limit switch for L is opposite to that of R.

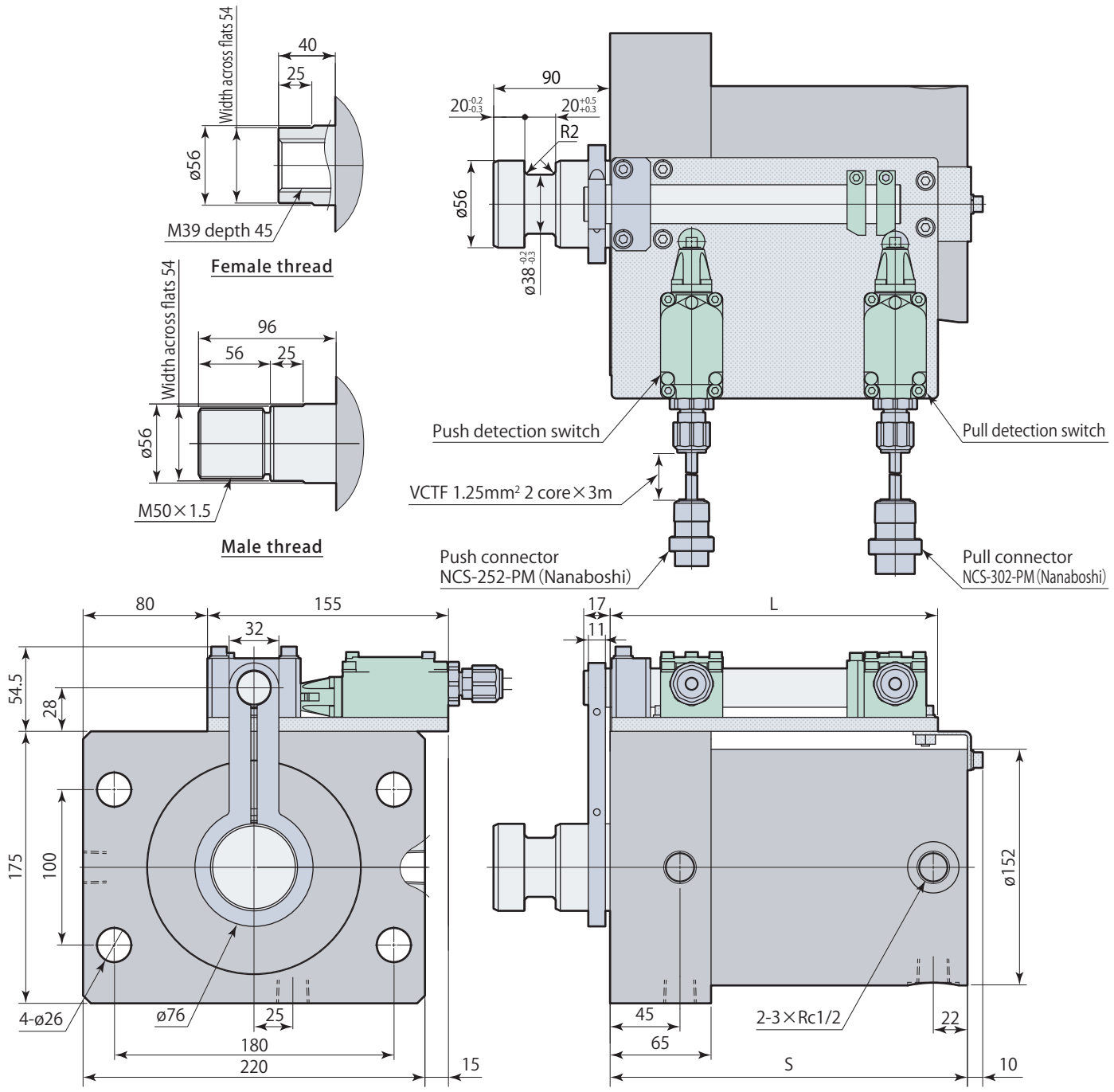
Limit switch model	Electrical rating		Operating temperature
WLD2-N (OMRON)	AC	10A,125V / 10A,250V / 10A,500V	-10°C ~ 80°C
	DC	10A,8V / 10A,14V / 6A,30V / 0.8A,125V / 0.4A,250V	

Inner diameter $\phi 125$ Three piece full bore cylinder S-type switch

Model designation **KF S 125** Rod tip section specifications Packing specifications Stroke Limit switch mounting position

● Refer to **page → 38** for the details of model.

Stroke	mm	50	65	80	100	125	150	200
S	mm	180	195	210	230	255	280	330
L	mm	161	176	191	211	236	261	311



● This drawing indicates the limit switch mounting position R. The mounting position of limit switch for L is opposite to that of R.

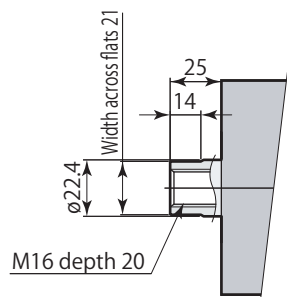
Limit switch model	Electrical rating		Operating temperature
WLD2-N (OMRON)	AC	10A,125V / 10A,250V / 10A,500V	-10°C ~ 80°C
	DC	10A,8V / 10A,14V / 6A,30V / 0.8A,125V / 0.4A,250V	

Inner diameter $\phi 50$ Three piece full bore cylinder C-type switch

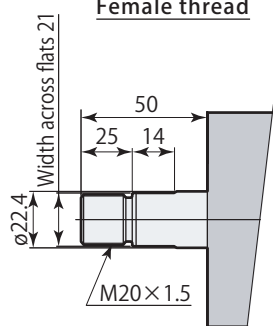
Model designation **KF C 050** Rod tip section specifications Packing specifications **Stroke** Limit switch mounting position

● Refer to **page → 38** for the details of model.

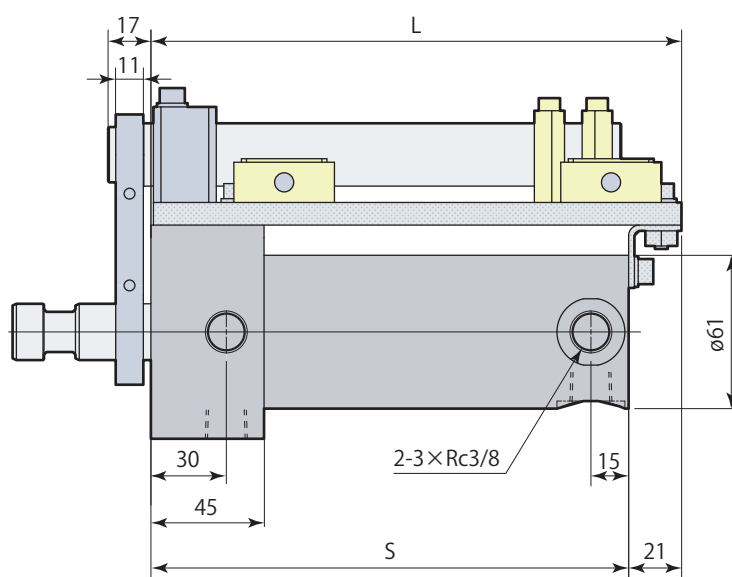
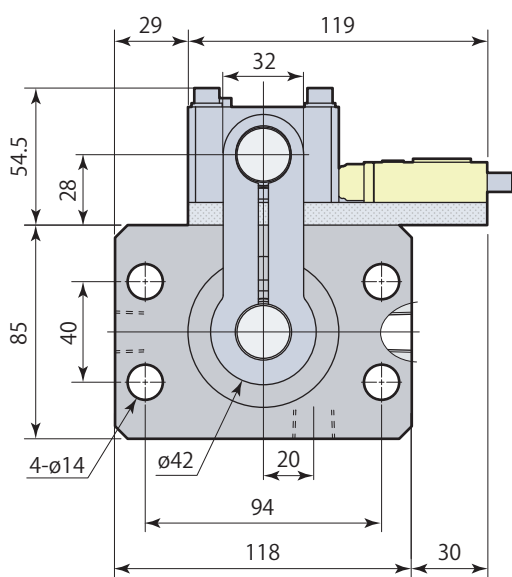
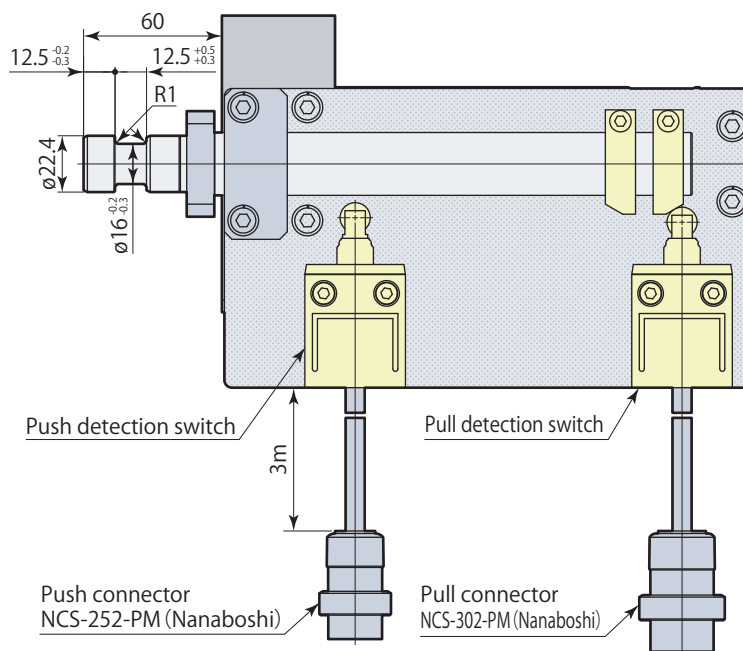
Stroke	mm	10	15	20	25	50	65	80	100	125	150
S	mm	100	105	110	115	140	155	170	190	215	240
L	mm	121	126	131	136	161	176	191	211	236	261



Female thread



Male thread



● This drawing indicates the limit switch mounting position R. The mounting position of limit switch for L is opposite to that of R.

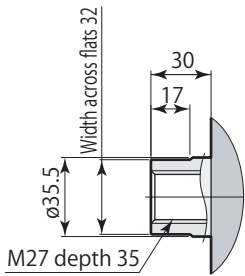
Limit switch model	Electrical rating		Operating temperature
D4C-1232 (OMRON)	AC	5A,125V / 5A,250V	-10°C ~ 70°C
	DC	5A,8V / 5A,14V / 4A,30V	

Inner diameter $\phi 80$ Three piece full bore cylinder C-type switch

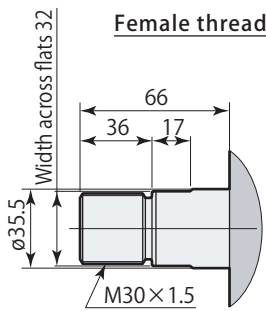
Model designation **KF C 080** Rod tip section specifications Packing specifications Stroke Limit switch mounting position

● Refer to **page → 38** for the details of model.

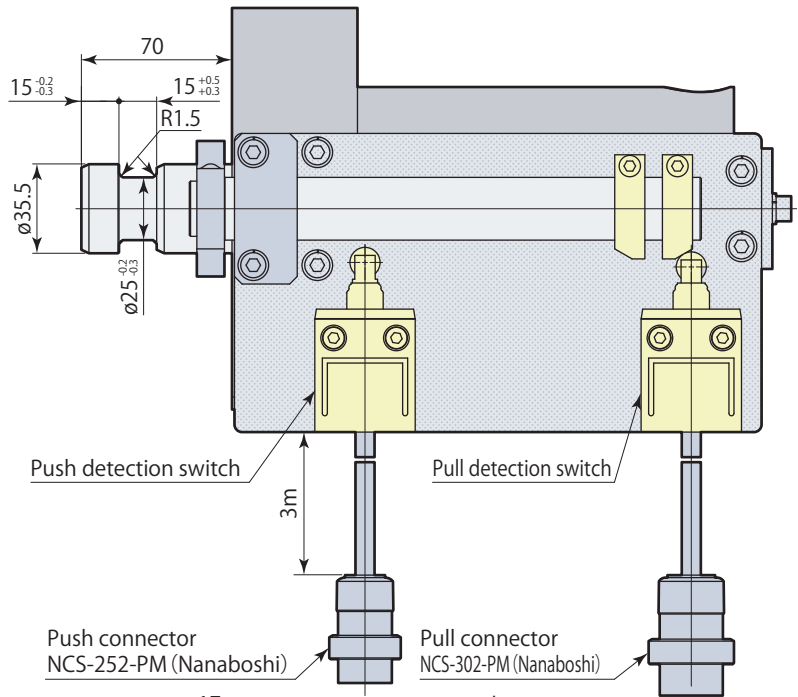
Stroke	mm	10	15	20	25	50	65	80	100	125	150	200
S	mm	110	115	120	125	150	165	180	200	225	250	300
L	mm	121	126	131	136	161	176	191	211	236	261	311



Female thread



Male thread

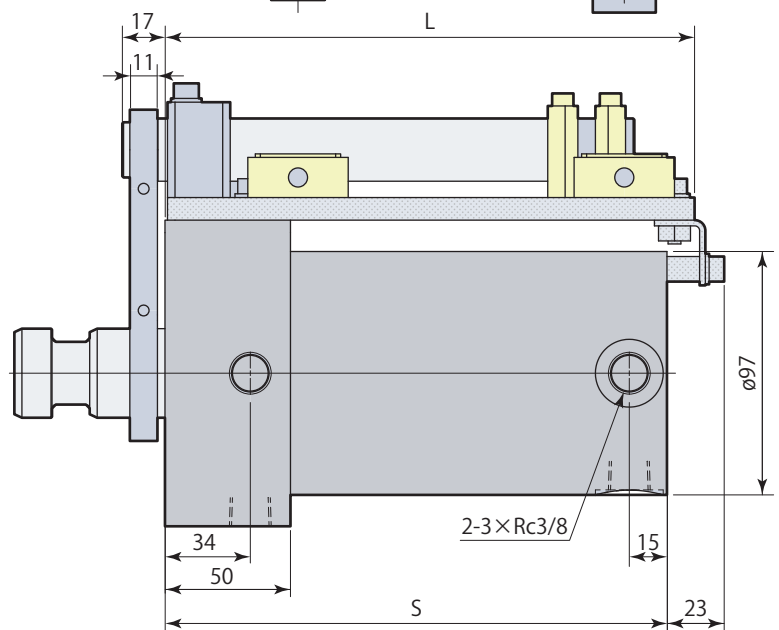
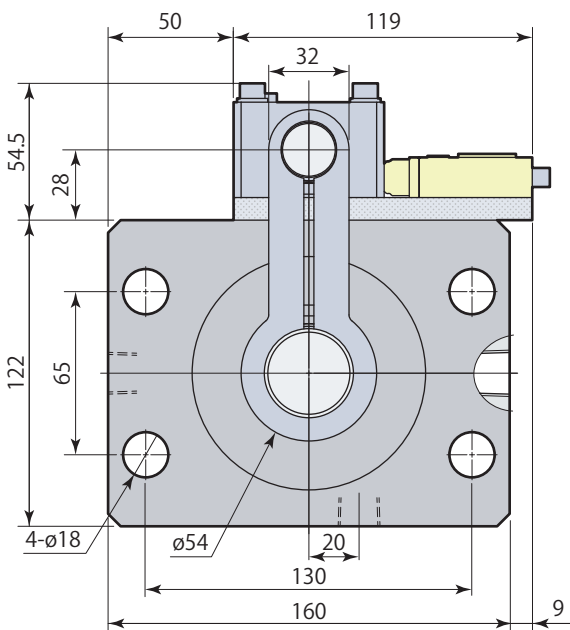


Push detection switch

Pull detection switch

Push connector
NCS-252-PM (Nanaboshi)

Pull connector
NCS-302-PM (Nanaboshi)



● This drawing indicates the limit switch mounting position R. The mounting position of limit switch for L is opposite to that of R.

Limit switch model	Electrical rating		Operating temperature
D4C-1232 (OMRON)	AC	5A, 125V / 5A, 250V	-10°C ~ 70°C
	DC	5A, 8V / 5A, 14V / 4A, 30V	

Inner diameter $\phi 100$ Three piece full bore cylinder C-type switch

Model designation **KF C 100**

Rod tip section specifications

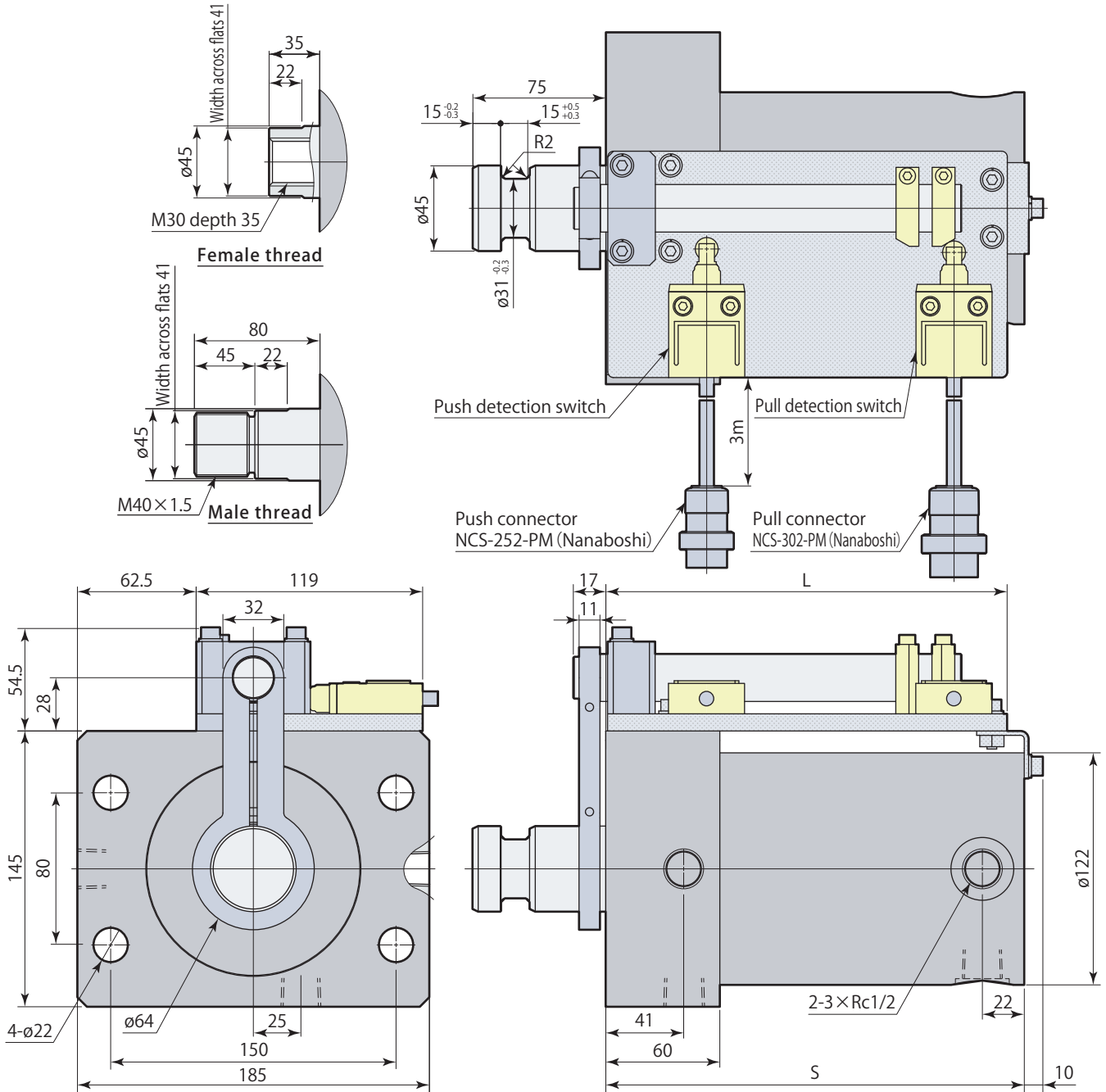
Packing specifications

Stroke

Limit switch mounting position

● Refer to **page → 38** for the details of model.

Stroke	mm	10	15	20	25	50	65	80	100	125	150	200
S	mm	130	135	140	145	170	185	200	220	245	270	320
L	mm	121	126	131	136	161	176	191	211	236	261	311



● This drawing indicates the limit switch mounting position R. The mounting position of limit switch for L is opposite to that of R.

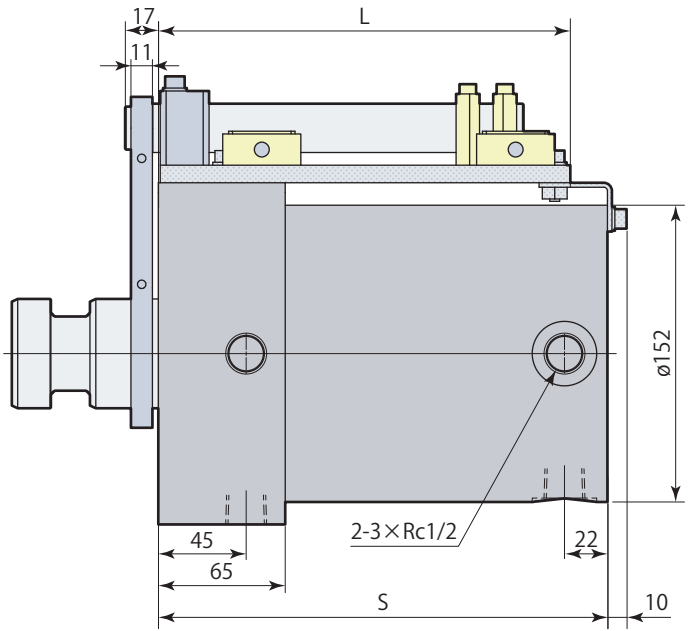
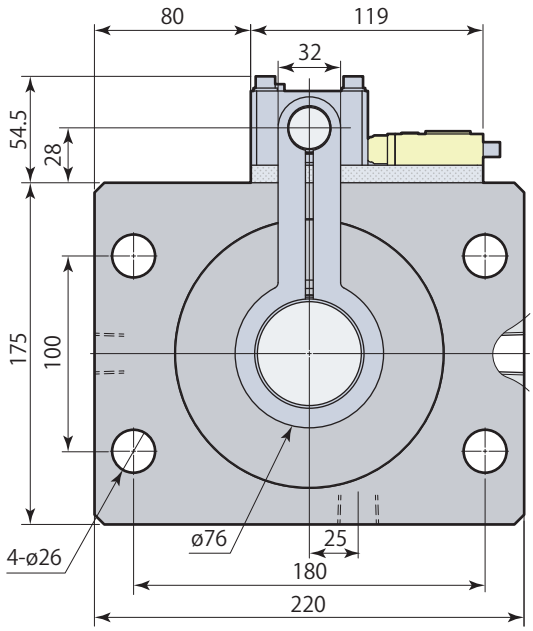
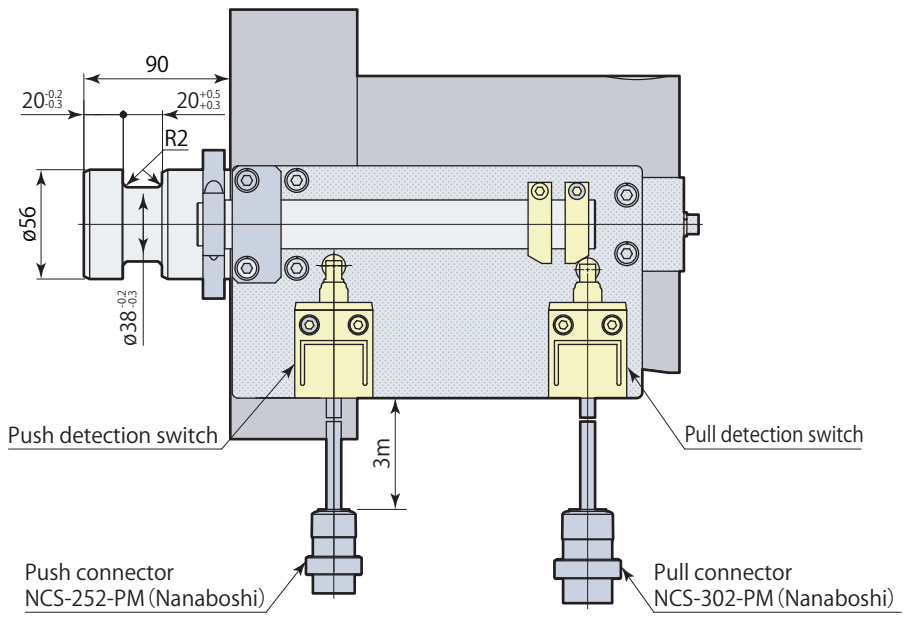
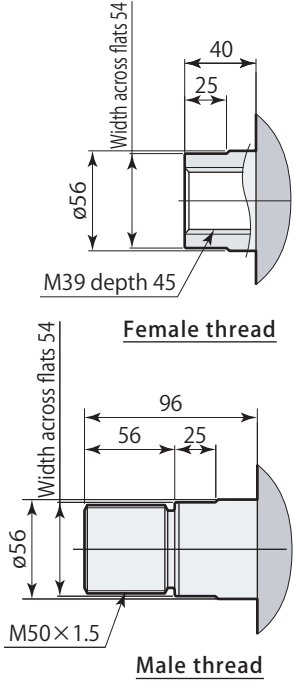
Limit switch model	Electrical rating		Operating temperature
D4C-1232 (OMRON)	AC	5A, 125V / 5A, 250V	
	DC	5A, 8V / 5A, 14V / 4A, 30V	

Inner diameter $\phi 125$ Three piece full bore cylinder C-type switch

Model designation **KF C 125** Rod tip section specifications Packing specifications Stroke Limit switch mounting position

● Refer to **page → 38** for the details of model.

Stroke	mm	50	65	80	100	125	150	200
S	mm	180	195	210	230	255	280	330
L	mm	161	176	191	211	236	261	311



● This drawing indicates the limit switch mounting position R. The mounting position of limit switch for L is opposite to that of R.

Limit switch model	Electrical rating		Operating temperature
D4C-1232 (OMRON)	AC	5A, 125V / 5A, 250V	-10°C ~ 70°C
	DC	5A, 8V / 5A, 14V / 4A, 30V	

