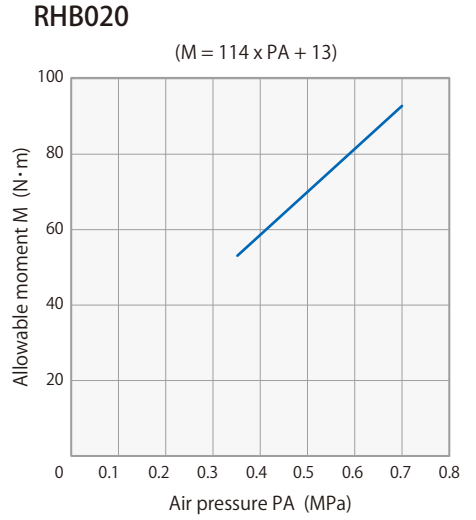


model RHB020 Payload 20 kg

RHB020 is the model that RHA020 (Page →15) air connection port changed to Rc1/8.



Performance diagram



Specifications

Model		RHB020	
Payload*1	kg	20	
Allowable moment (Air pressure at 0.5 MPa)*2	N·m	70	
Allowable torque*2	N·m	75	
Tightening force	Air pressure at 0 MPa	kN	0.4
	Air pressure at 0.5 MPa	kN	2.22
Lift force	Air pressure at 0.5 MPa	kN	0.47
Repeatability	mm	0.01	
Dimensions (Outer diameter × Height when connected)	mm	ø76 × 60	
Mass	Master plate	g	650
	Tool plate	g	385
Air pressure for connecting/disconnecting operation	MPa	0.4~0.7	
Connector for air	Number of ports (Size)	6 (Rc1/8)	
	Working pressure	MPa	-0.05~1
Operating temperature	°C	0~70	

Option		Option symbol
Connector for air	Add Rc1/8 × 2 ports	A0
Sensor for connecting / disconnecting		SN SP
Electric connector	10 points 3A / 1pc (with cable)	E0
	20 points 3A / 1pc (with cable)	E00
Circular electric connector	14 points 5A / 1pc	E4
	10 points 13A / 1pc	E5
Remote sensor*1	12 points (with cable)	RN RP R
	4 points (with cable)	RN4 RP4 R4

*1: Select a model that does not exceed the allowable torque and movement, even if it was less than the payload.
 *2: This value indicates the maximum. Select the right model so as not to exceed these values even for a split-second.

*1: Refer to the web site of the company named B & Plus for details about the remote sensor.

Model designation

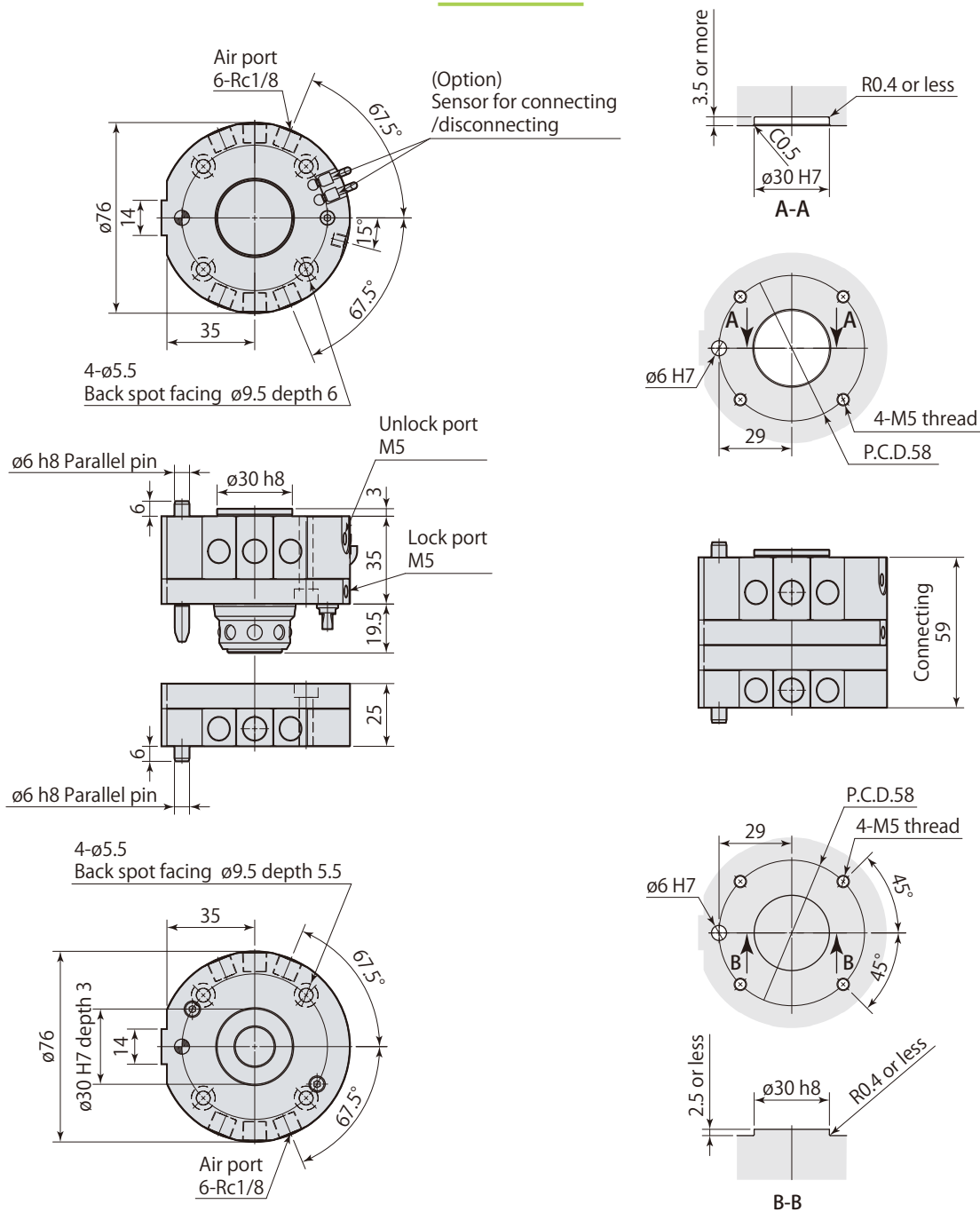
Master plate	RHB 020 - M	Connector for air(option)	<input type="checkbox"/>	Sensor for connecting / disconnecting (option)	<input type="checkbox"/>	Electric connector(option)	<input type="checkbox"/>
Tool plate	RHB 020 - T						

No symbol	Non check valve	No symbol	Sensor none	No symbol	Connector None	RN	Master plate side Remote sensor (NPN output) × 12 points
A0	Add Rc1/8 × 2	SN*	NPN output	E0*	3A × 10 points	RP	Master plate side Remote sensor (PNP output) × 12 points
		SP*	PNP output	E00	3A × 20 points	R	Remote sensor of tool plate side × 12 points
				E4	5A × 14 points	RN4	Master plate side Remote sensor (NPN output) × 4 points
				E5	13A × 10 points	RP4	Master plate side Remote sensor (PNP output) × 4 points
						R4	Remote sensor of tool plate side × 4 points

*: Master plate only

*: Air connector A0 accepts only E0

Dimensions



Options



Connector for air
Add Rc1/8×2

Sensor for connecting/
disconnecting

Electric connector
3A×10/20 points (with cable)

Circular electric connector
5A×14 points

Circular electric connector
13A×10 points

Remote sensor
12 points (with cable)

Remote sensor
4 points (with cable)

A0

Page →27

SN NPN
SP PNP

Page →28

E0
E00

Page →29

E4

Page →30

E5

Page →31

RN Master plate side NPN
RP Master plate side PNP
R Tool plate side

Page →33

RN4 Master plate side NPN
RP4 Master plate side PNP
R4 Tool plate side

Page →35