



traveling clamp TRX

5,000kN press



traveling clamp model **TRX**

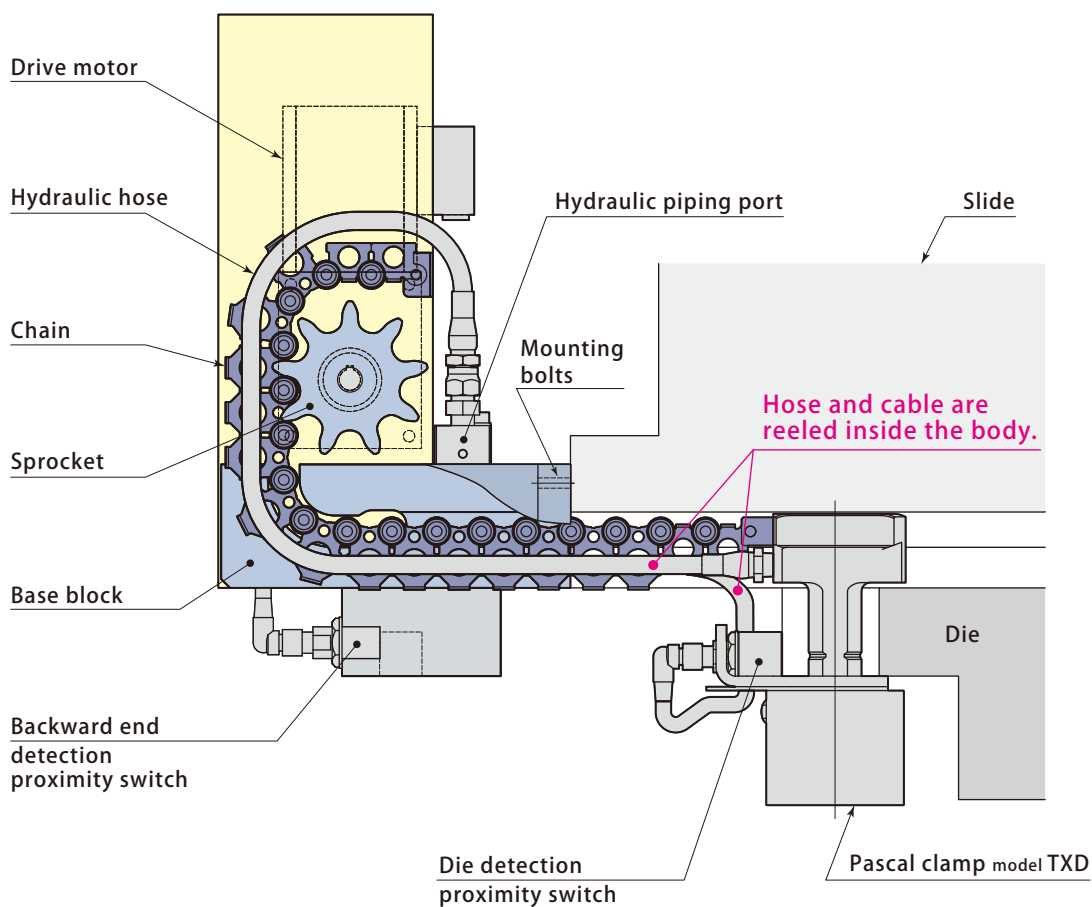
Compact, vibration-resistant automatic slidable clamp

Short stroke Motor driven



Vibration-resistant type
Applicable for high tensile stamping

Compact and neatly outlined body



Specifications

Model		TRX040-0200	TRX040-0300	TRX063-0200	TRX063-0300
Traveling stroke	mm	200	300	200	300
Traveling speed (50/60Hz)	mm/sec.	85/104		85/104	
Clamping force (at 24.5 MPa)	kN	39.2		61.7	
Full stroke	mm	8		8	
Clamping stroke	mm	4		4	
Safety stroke	mm	4		4	
Cylinder capacity (at full stroke)	cm ³	13		21	
Approximate weight	kg	16		17	

- Working hydraulic pressure : 24.5MPa
- Fluid used : General mineral based hydraulic oil (ISO-VG32 equivalent)
- Operating temperature : -10 ~ 50°C (No frozen)
- Weight varies according to the die thickness and dimension of clamp rod.

Model designation

TRX 040 – 0200 L

- 1 Clamp Model * Indicated in 3 digits
- 2 Traveling stroke * Indicated in 4 digits
- 3 Mounting position of drive motor, terminal box and proximity switch

1 Clamp Model * Indicated in 3 digits

- 040 : model TXD040 (Clamping force 39.2kN)
- 063 : model TXD063 (Clamping force 61.7kN)

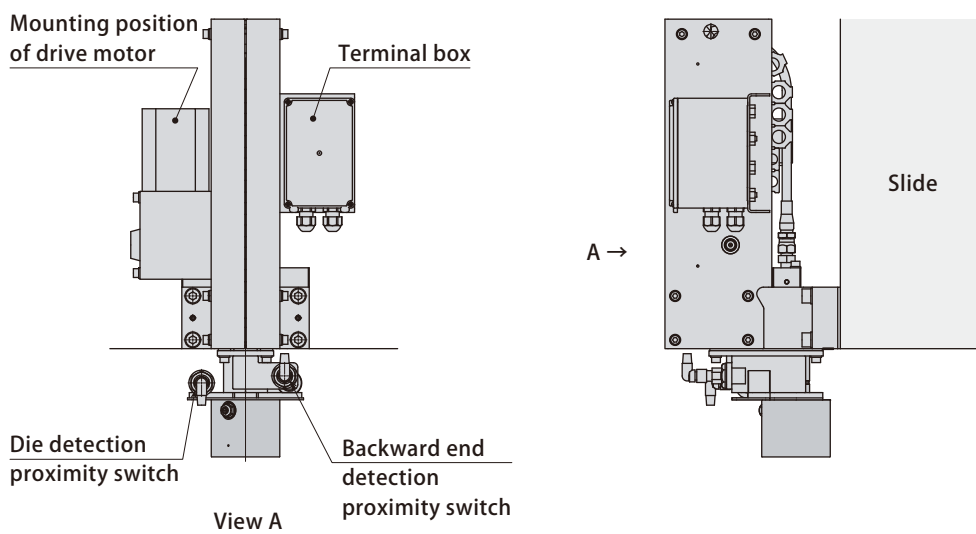
2 Traveling stroke * Indicated in 4 digits

- 0200 : 200 mm 0300 : 300 mm

3 Mounting position of drive motor, terminal box and proximity switch

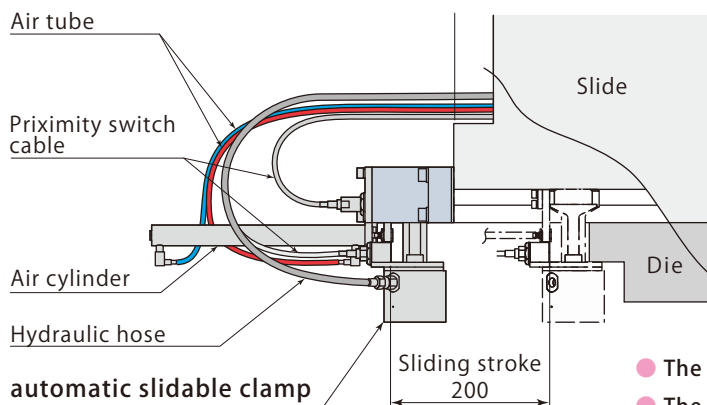
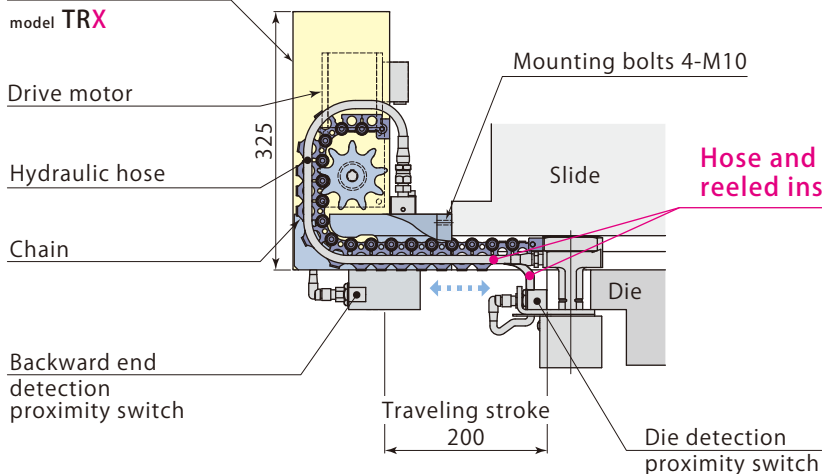
- L : As shown in the below diagram R : Mirror image of L

TRX – L



Piping/wiring looks nicer than that of model TXE or TXC

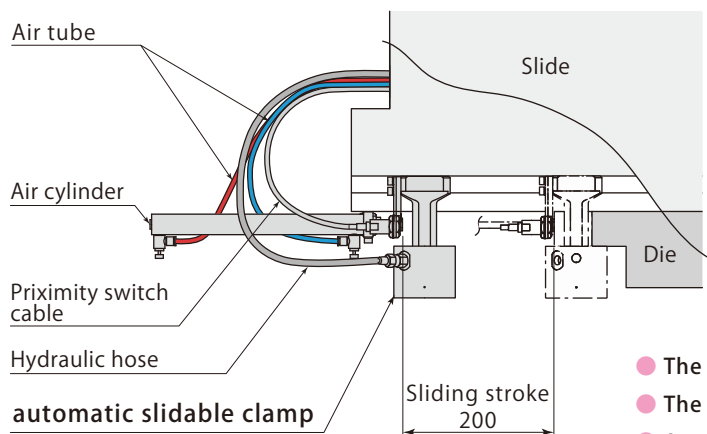
traveling clamp



automatic slidable clamp

model TXE

Clamping force 61.7 kN
Stroke 200 mm

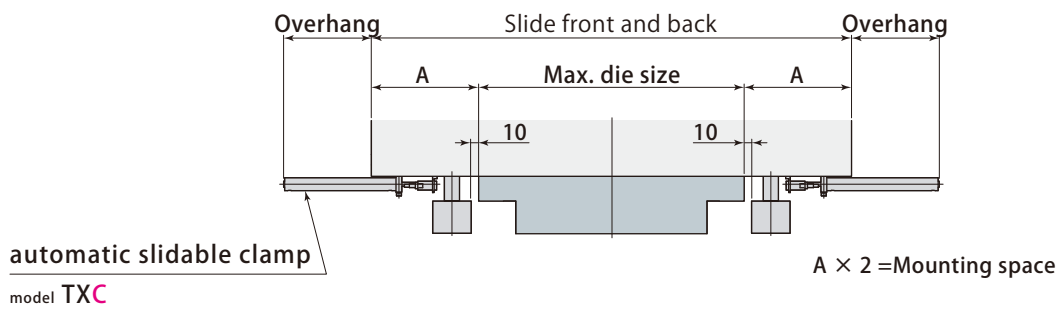
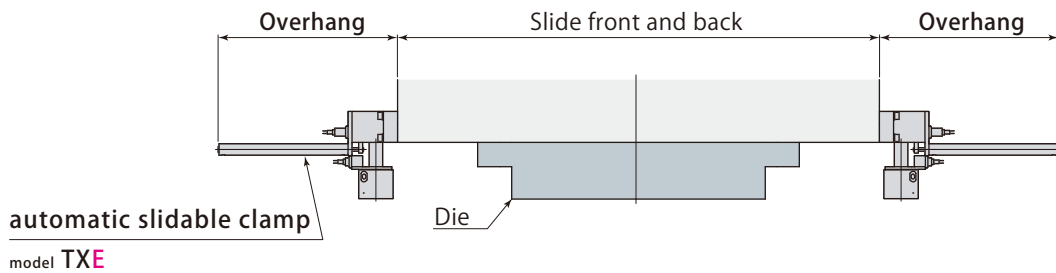
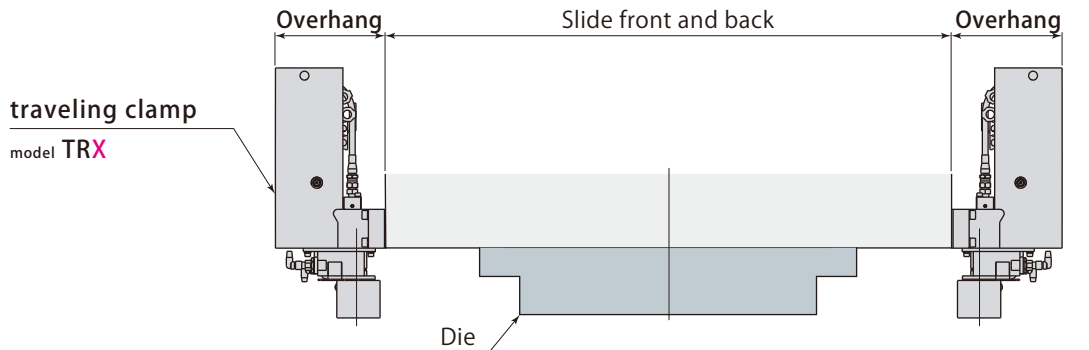


automatic slidable clamp

model TXC

Clamping force 61.7 kN
Stroke 200 mm

Distance from the mount face is shorter than that of model TXE or TXC



Overhang(for stroke 200mm)

Clamp size (Clamping force (at 24.5 MPa))	kN	040 (39.2)	063 (61.7)
TRX	mm	200	
TXE	mm	372	383
TXC	mm	222	233

TXC mounting space (Above figure A x2)

Clamp size (Clamping force (at 24.5 MPa))	kN	040 (39.2)	063 (61.7)
Mounting space (for 2 pcs of clamps)	mm	210	232

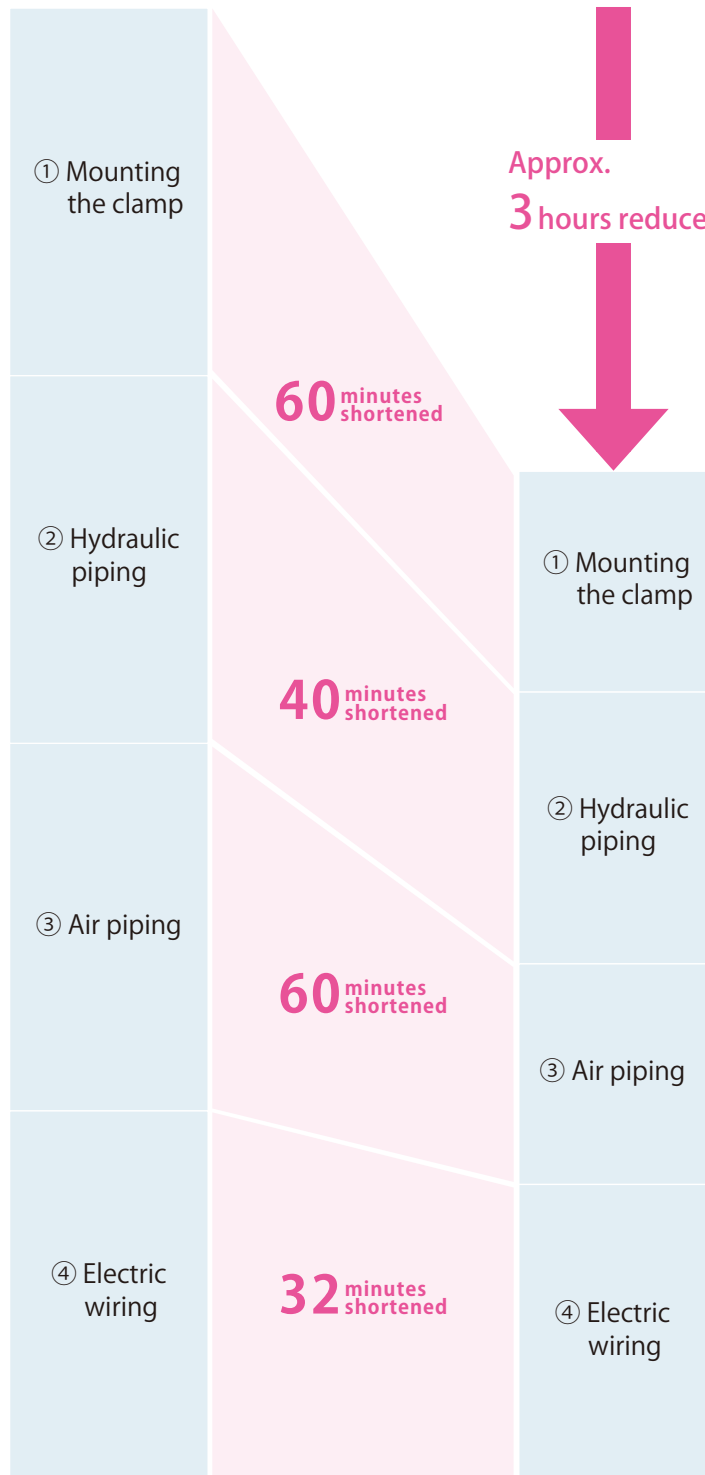
Installation period can be shortened compared to the model TXE

Automatic slidable type

model TXE 8 pcs

Traveling stroke

model TRX 8 pcs



Dimensions

TRX **063** **0200** **L**

● Mounting position of drive motor, terminal box and proximity switch

L : As shown in the below diagram

R : Mirror image of L

2 Traveling stroke

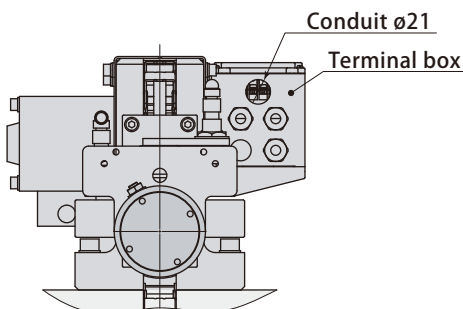
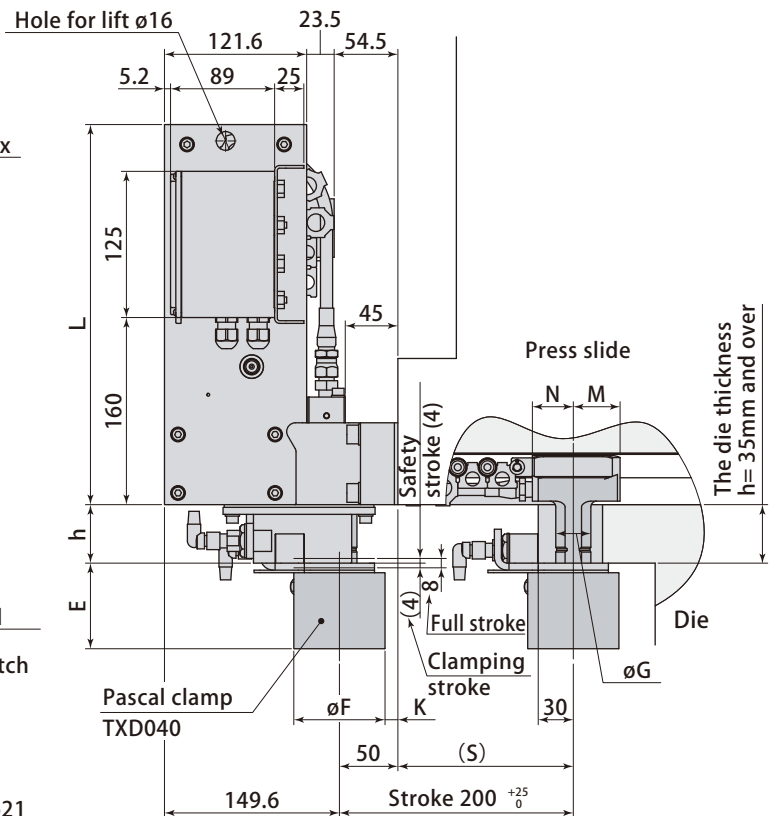
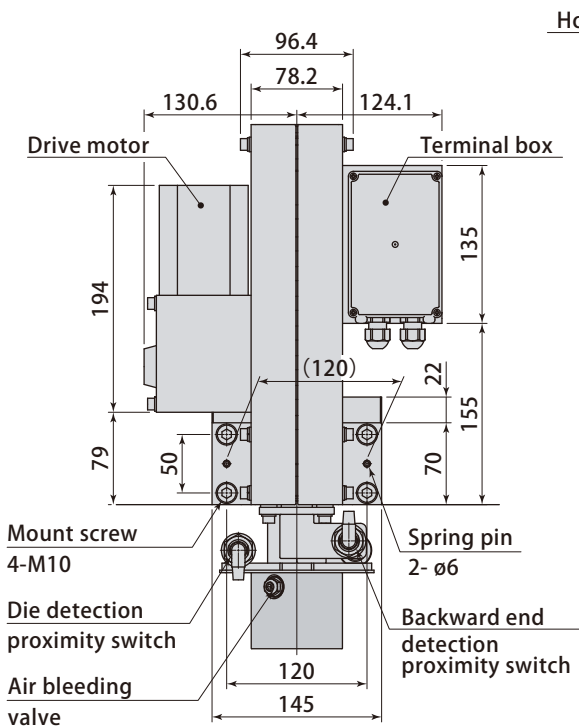
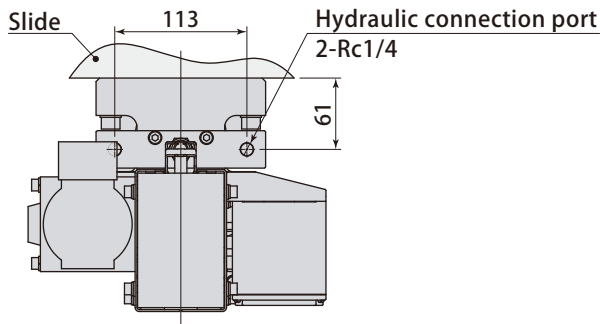
0200 : 200 mm

0300 : 300 mm

1 Clamp Model

040 : model TXD040 (Clamping force 39.2 kN)

063 : model TXD063 (Clamping force 61.7 kN)



● This diagram indicates the motor, terminal box and prox. Sensor position at **L** position.

Outline dimensions

	mm			
Model	TRX040-0200	TRX040-0300	TRX063-0200	TRX063-0300
E	67.2		73.2	
øF	62		78	
øG	25		30	
K	19		11	
L	325	375	325	375
M	35		40	
N	30		35	
S	150	250	150	250
SS	200	300	200	300
a	28			
Min. b	46			
Min. d	22			
Min. h	35			
Max. h+d	90		100	
Min. j	18			
Max. n	45		55	
Clamp Model	TXD040 (39.2kN)		TXD063 (61.7kN)	

- Specify dimension b, d, j and h.

Drive motor

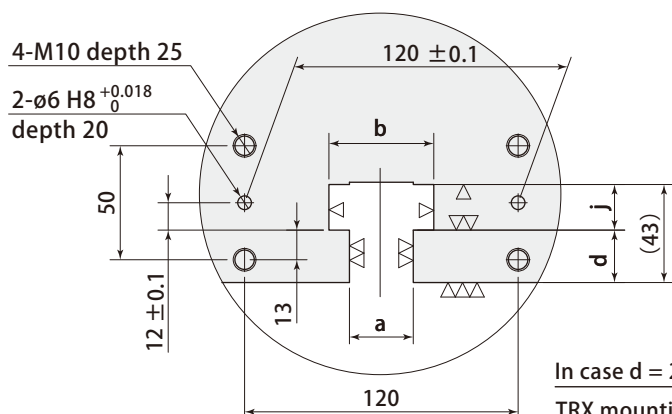
Manufacturer	Nissei Corporation		
Model	F2SMR-12-60-S15TXH3		
Output	W	15	
Reduction ratio	1:60		
Power supply frequency	VAC	100	
Power supply frequency	Hz	50/60	
Phase	Single phase		
Rated current value	A	0.39/0.35	

- Non-UL or CE approved motor. Consult Pascal for the details.

Proximity switch

Manufacturer	OMRON		
Voltage	V	DC12 ~ 24 (2wire N.O.)	
Model	E2E-X7D1G-M1G		
Cable	XS2F-G422-G80-F		

T-slot dimension and Mounting hole dimension



In case d = 23mm
TRX mounting position
moves up or down
according to the d dimension.

U-cut dimension

