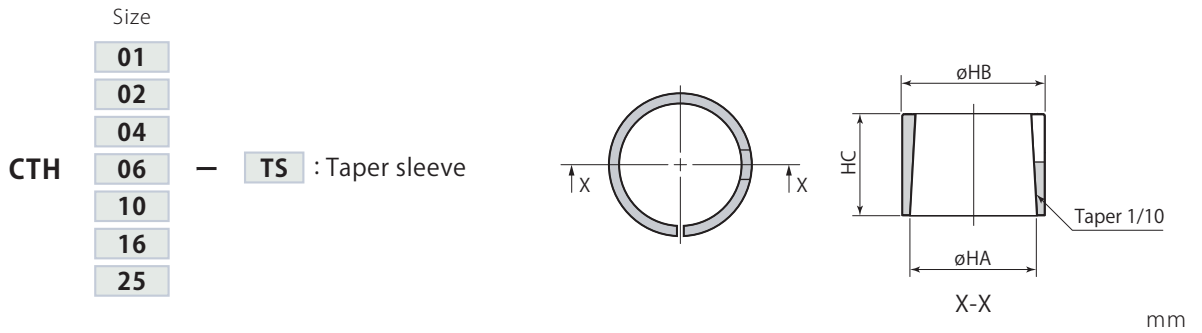


Taper sleeve

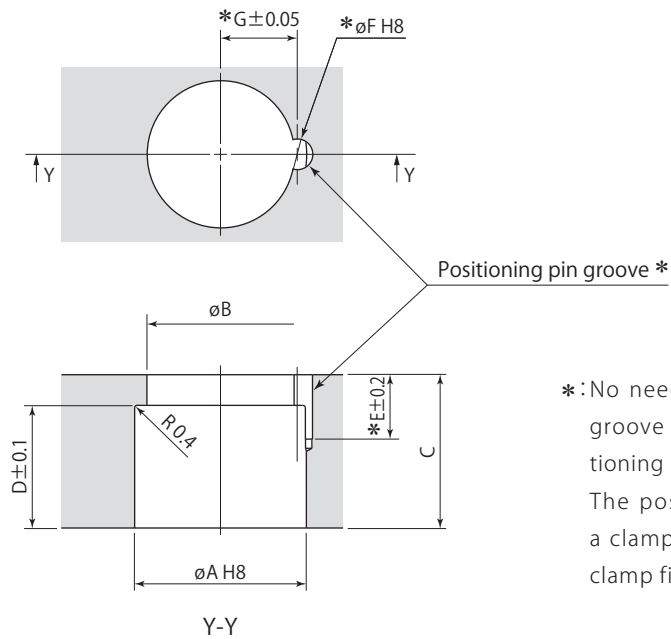


Taper sleeve	CTH01-TS	CTH02-TS	CTH04-TS	CTH06-TS	CTH10-TS	CTH16-TS	CTH25-TS
Applicable swing clamp	CTU01	CTU02	CTU04	CTU06	CTU10	CTU16	CTU25
øHA	14	18	22.4	25	30	35.5	45
øHB	16	20	25	28	34	40	49
HC	13	16	21	20	22	29	38

Clamp arm mounting details

(Using taper sleeve)

Clamp arm is not included. Manufacture a clamp arm with the dimensions shown in the table below.



*: No need to machine the pin groove (E, øF, G) unless positioning pin is used for the arm. The positioning pin enables a clamp arm to locate on the clamp firmly and easily.

Taper sleeve	CTH01-TS	CTH02-TS	CTH04-TS	CTH06-TS	CTH10-TS	CTH16-TS	CTH25-TS
Applicable swing clamp	CTU01	CTU02	CTU04	CTU06	CTU10	CTU16	CTU25
øA	16 ^{+0.027} ₀	20 ^{+0.033} ₀	25 ^{+0.033} ₀	28 ^{+0.033} ₀	34 ^{+0.039} ₀	40 ^{+0.039} ₀	49 ^{+0.039} ₀
øB	13	17	21	24	28.5	34	42
C	16	20	25	25	27	35	45
D	13	16	21	20	22	29	38
E	9	10.5	10.5	10.5	12.5	12.5	14.5
øF (pin groove diameter)	3 ^{+0.014} ₀	4 ^{+0.018} ₀	4 ^{+0.018} ₀	5 ^{+0.018} ₀	6 ^{+0.018} ₀	6 ^{+0.018} ₀	6 ^{+0.018} ₀
G	7.55	9.1	11.1	12.6	15.1	18.1	22.6