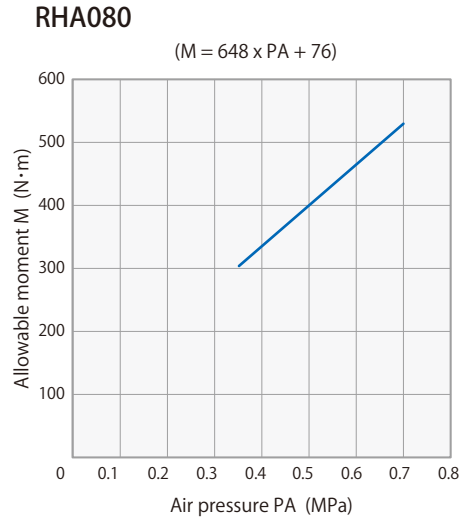




Performance diagram



Specifications

Model		RHA080	
Payload*1	kg	80	
Allowable moment (Air pressure at 0.5 MPa)*2	N·m	400	
Allowable torque*2	N·m	320	
Tightening force	Air pressure at 0 MPa	kN	1.53
	Air pressure at 0.5 MPa	kN	8.08
Lift force	Air pressure at 0.5 MPa	kN	1.55
Repeatability	mm	0.01	
Dimensions (Outer diameter × Height when connected)	mm	ø118 × 68.5	
Mass	Master plate	g	1840
	Tool plate	g	890
Air pressure for connecting/disconnecting operation	MPa	0.4~0.7	
Connector for air	Number of ports (Size)	12 (Rc1/8)	
	Working pressure	MPa	-0.05~1
Operating temperature	°C	0~70	

Option		Option symbol
Connector for air	Check valve model	C
	Add Rc1/8 × 2 ports	A0
Sensor for connecting / disconnecting		SN SP
Electric connector	10 points 3A / 1pc (with cable)	E0
	20 points 3A / 1pc (with cable)	E00
Circular electric connector	14 points 5A / 1pc	E4
	10 points 13A / 1pc	E5
Remote sensor*1	12 points (with cable)	RN RP R
	4 points (with cable)	RN4 RP4 R4

*1: Select a model that does not exceed the allowable torque and movement, even if it was less than the payload.
*2: This value indicates the maximum. Select the right model so as not to exceed these values even for a split-second.

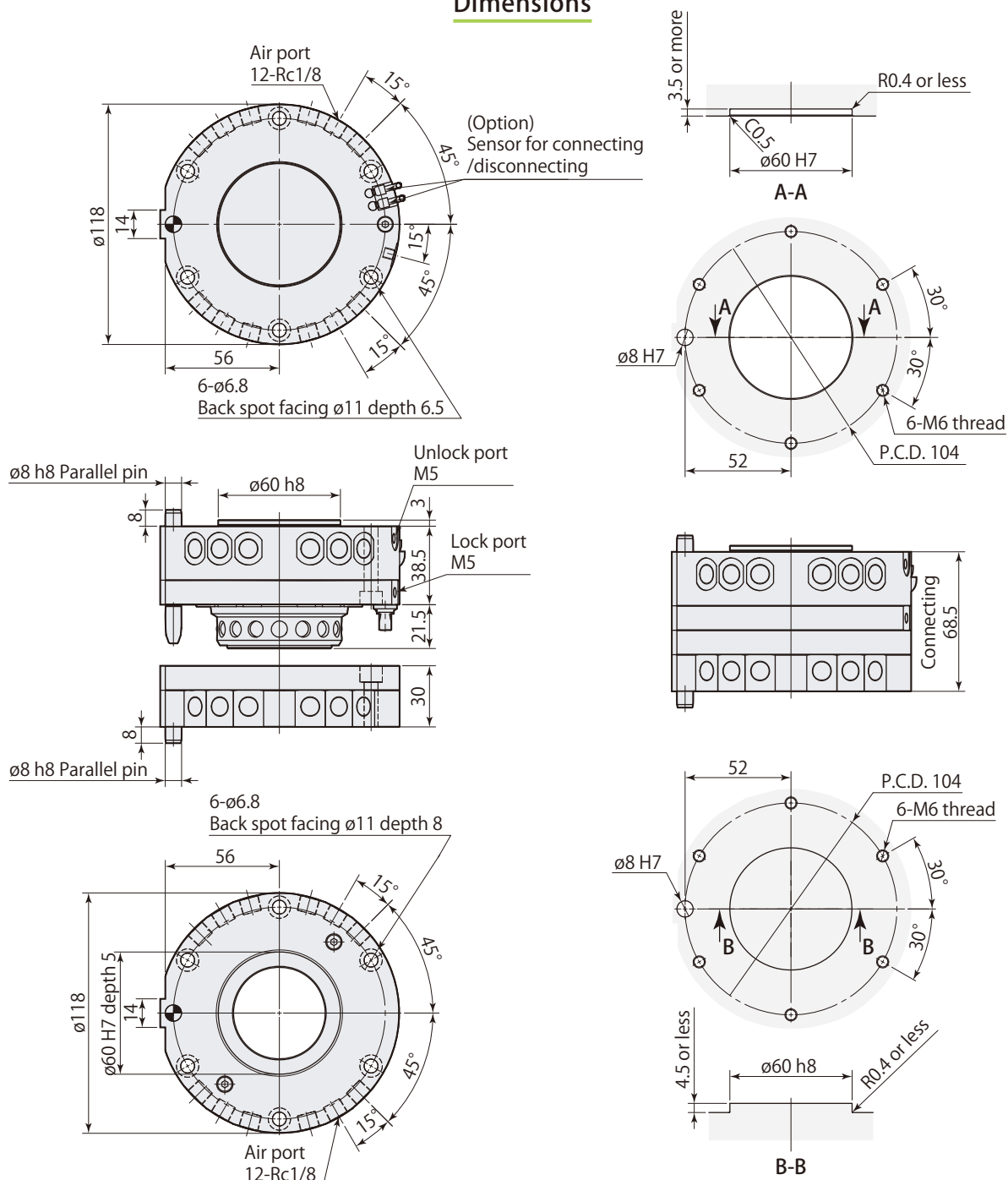
*1: Refer to the web site of the company named B & Plus for details about the remote sensor.

Model designation

Master plate	RHA 080 - M	Connector for air(option)	Sensor for connecting / disconnecting (option)	Electric connector(option)
Tool plate	RHA 080 - T			
		No symbol Non check valve	No symbol Sensor none	No symbol Connector None
		C* Check valve model	SN* NPN output	E0* 3A × 10 points
		A0 Add Rc1/8 × 2	SP* PNP output	E00 3A × 20 points
		*: Master plate only	*: Master plate only	E4 5A × 14 points
				E5 13A × 10 points
				RN Master plate side Remote sensor (NPN output) × 12 points
				RP Master plate side Remote sensor (PNP output) × 12 points
				R Remote sensor of tool plate side × 12 points
				RN4 Master plate side Remote sensor (NPN output) × 4 points
				RP4 Master plate side Remote sensor (PNP output) × 4 points
				R4 Remote sensor of tool plate side × 4 points

*: Air connector A0 accepts only E0

Dimensions



Options



Connector for air
Check valve model

Connector for air
Add Rc1/8×2

Sensor for connecting/
disconnecting

Electric connector
3A×10/20 points (with cable)

Circular electric connector
5A×14 points

Circular electric connector
13A×10 points

Remote sensor
12 points (with cable)

Remote sensor
4 points (with cable)

C

A0

Page →27

SN

NPN

SP

PNP

Page →28

E0
E00

Page →29

E4

Page →30

E5

Page →31

RN

Master plate side NPN

RP

Master plate side PNP

R

Tool plate side

Page →33

RN4

Master plate side NPN

RP4

Master plate side PNP

R4

Tool plate side

Page →35