

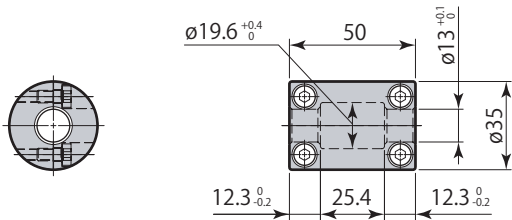
# Coupling

Model designation **KCA-C-080**

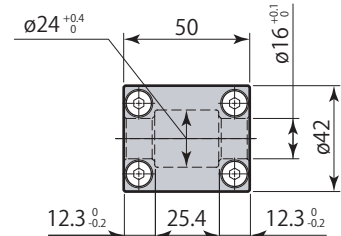
Cylinder inner diameter

Cylinder inner diameter (mm)	ø40	ø50	ø63	ø80	ø100	ø125
Symbol	<b>040</b>	<b>050</b>	<b>063</b>	<b>080</b>	<b>100</b>	<b>125</b>

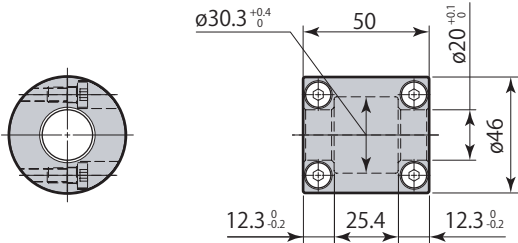
KCA-C-040



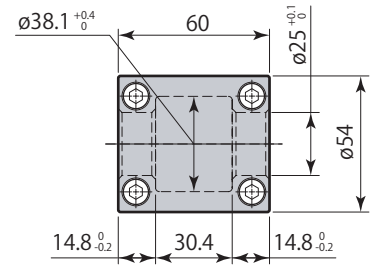
KCA-C-050



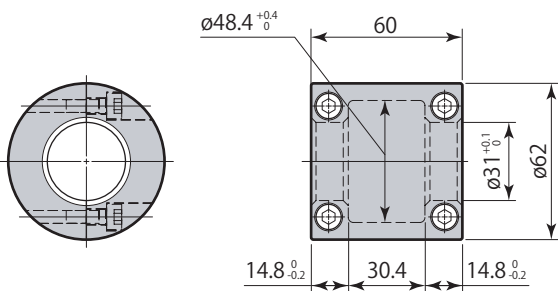
KCA-C-063



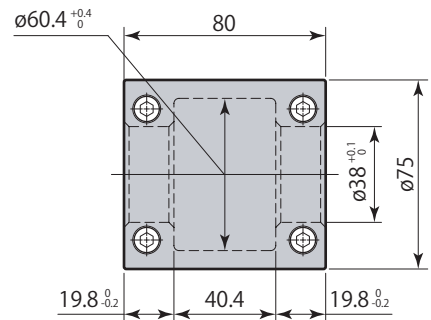
KCA-C-080



KCA-C-100



KCA-C-125

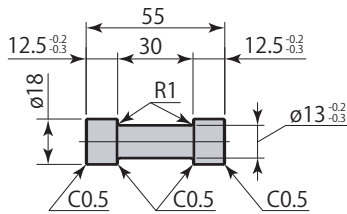


# Joint P

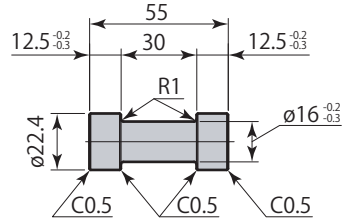
Model designation **KCA-J-080**P  
 Cylinder inner diameter

Cylinder inner diameter (mm)	ø40	ø50	ø63	ø80	ø100	ø125
Symbol	<b>040</b>	<b>050</b>	<b>063</b>	<b>080</b>	<b>100</b>	<b>125</b>

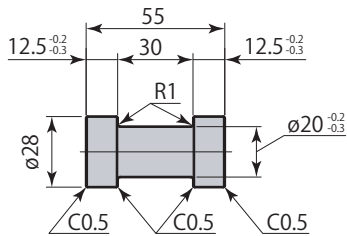
KCA-J-040P



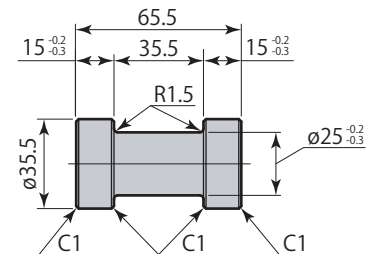
KCA-J-050P



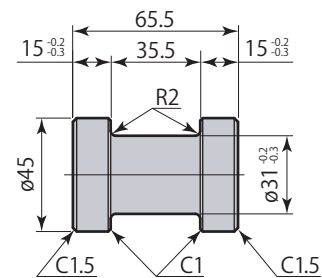
KCA-J-063P



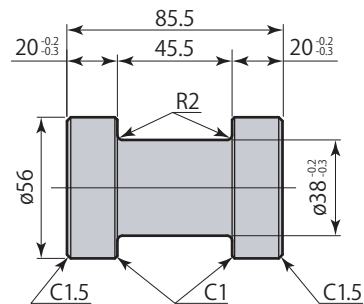
KCA-J-080P



KCA-J-100P



KCA-J-125P



Option

# Coupling (Plate welded B type)

Model designation **KCA-C-080 W-B-A**

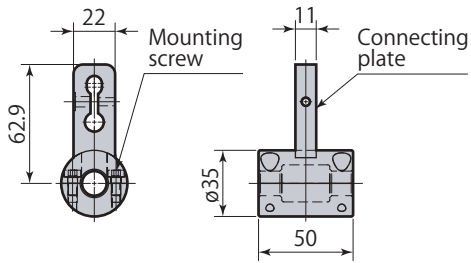
Cylinder inner diameter

Mounting screw direction From top (standard) : A  
From bottom : B

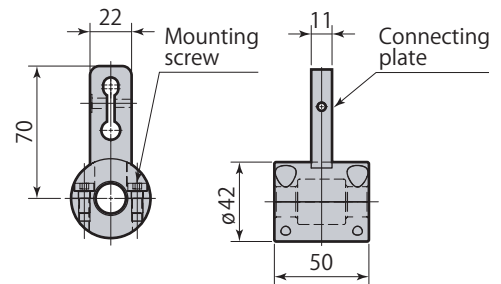
See the diagram shown below for standard direction of the screw. Consult Pascal for other location of connecting plate.

Cylinder inner diameter (mm)	ø40	ø50	ø63	ø80	ø100	ø125
Symbol	<b>040</b>	<b>050</b>	<b>063</b>	<b>080</b>	<b>100</b>	<b>125</b>

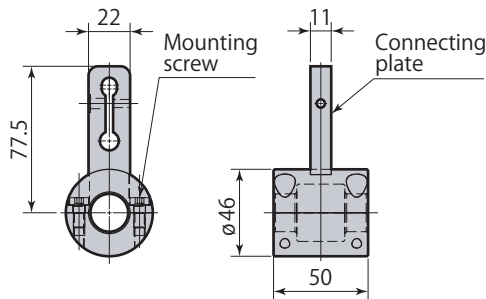
KCA-C-040W-B



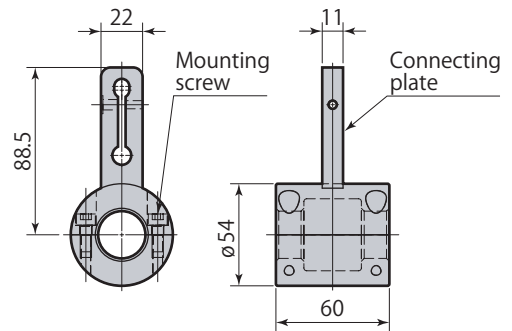
KCA-C-050W-B



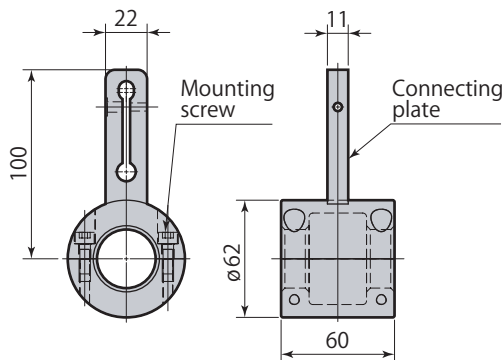
KCA-C-063W-B



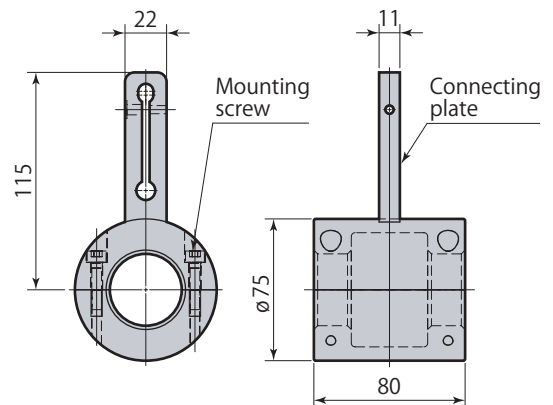
KCA-C-080W-B



KCA-C-100W-B



KCA-C-125W-B



## Coupling (Plate welded SC type)

Model designation **KCA-C-080 W-SC-A**

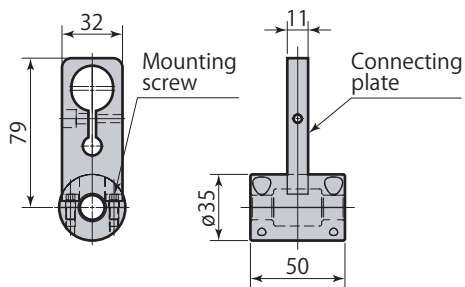
Cylinder inner diameter

Mounting screw direction From top (standard) : A  
From bottom : B

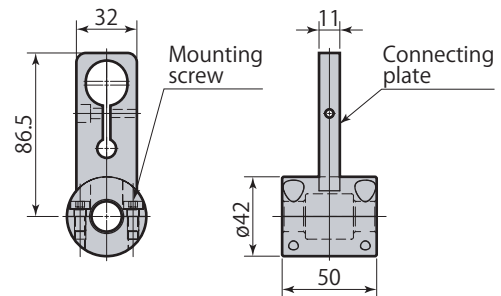
See the diagram shown below for standard direction of the screw. Consult Pascal for other location of connecting plate.

Cylinder inner diameter (mm)	ø40	ø50	ø63	ø80	ø100	ø125
Symbol	<b>040</b>	<b>050</b>	<b>063</b>	<b>080</b>	<b>100</b>	<b>125</b>

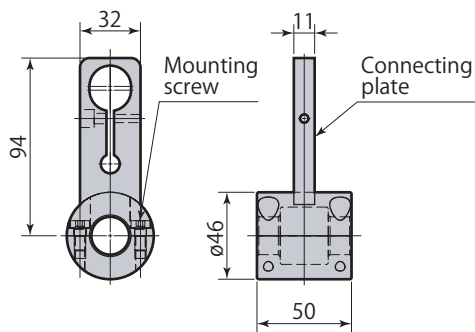
KCA-C-040W-SC



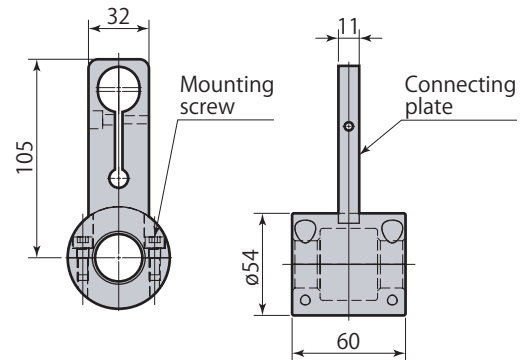
KCA-C-050W-SC



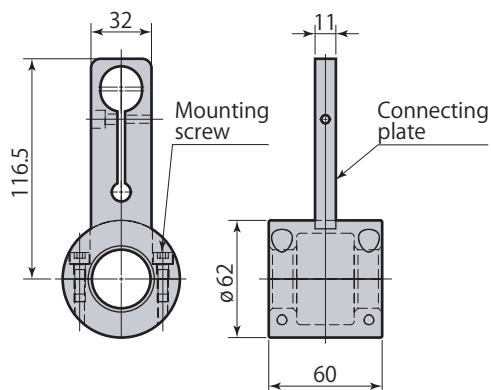
KCA-C-063W-SC



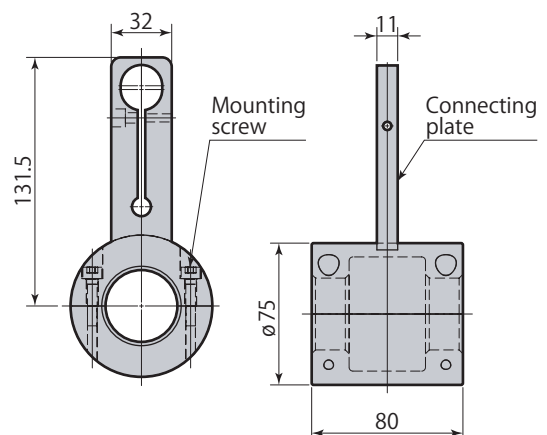
KCA-C-080W-SC



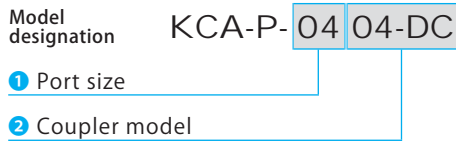
KCA-C-100W-SC



KCA-C-125W-SC



## Joint (with coupler plug)



### ① Port size

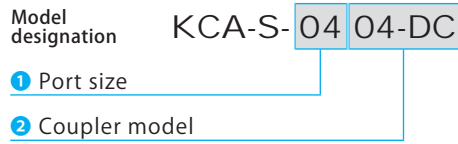
Port size	Rc3/8	Rc1/2
Symbol	<b>03</b>	<b>04</b>

### ② Coupler model

Coupler model	3HP	3HP-DC	4HP	4HP-DC
Symbol	<b>03</b>	<b>03-DC</b>	<b>04</b>	<b>04-DC</b>

Model	Port size	Coupler model(Nitto Kohki)	Dimensions
KCA-P-0303	Rc3/8	3HP	Hex. width across flats 19
KCA-P-0303-DC		3HP-DC	
KCA-P-0304	Rc3/8	4HP	Hex. width across flats 24
KCA-P-0304-DC		4HP-DC	
KCA-P-0404	Rc1/2	4HP	Hex. width across flats 30
KCA-P-0404-DC		4HP-DC	

## Joint (with coupler socket)



### ① Port size

Port size	Rc3/8	Rc1/2
Symbol	<b>03</b>	<b>04</b>

### ② Coupler model

Coupler model	3HS	3HS-DC	4HS	4HS-DC
Symbol	<b>03</b>	<b>03-DC</b>	<b>04</b>	<b>04-DC</b>

Model	Port size	Coupler model(Nitto Kohki)	Dimensions
KCA-S-0303	Rc3/8	3HS	
KCA-S-0303-DC		3HS-DC	
KCA-S-0304	Rc3/8	4HS	
KCA-S-0304-DC		4HS-DC	
KCA-S-0404	Rc1/2	4HS	
KCA-S-0404-DC		4HS-DC	