

Specifications

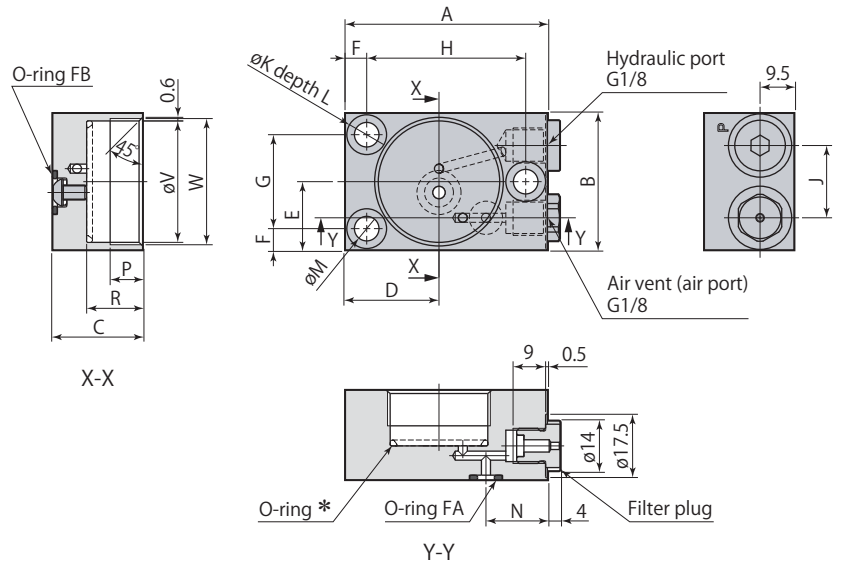
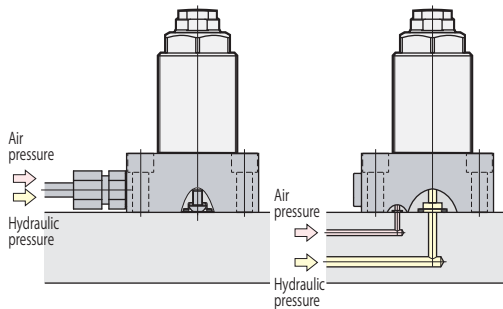
Size		Option code	
CSP	06	M -	<b>N</b> : Flange <b>page →134</b>
	10		<b>Q</b> : Piping cap <b>page →136</b>
	16		<b>L</b> : Locknut <b>page →136</b>
	25		<b>J</b> : Chip cover <b>page →136</b>

Flange



G port piping

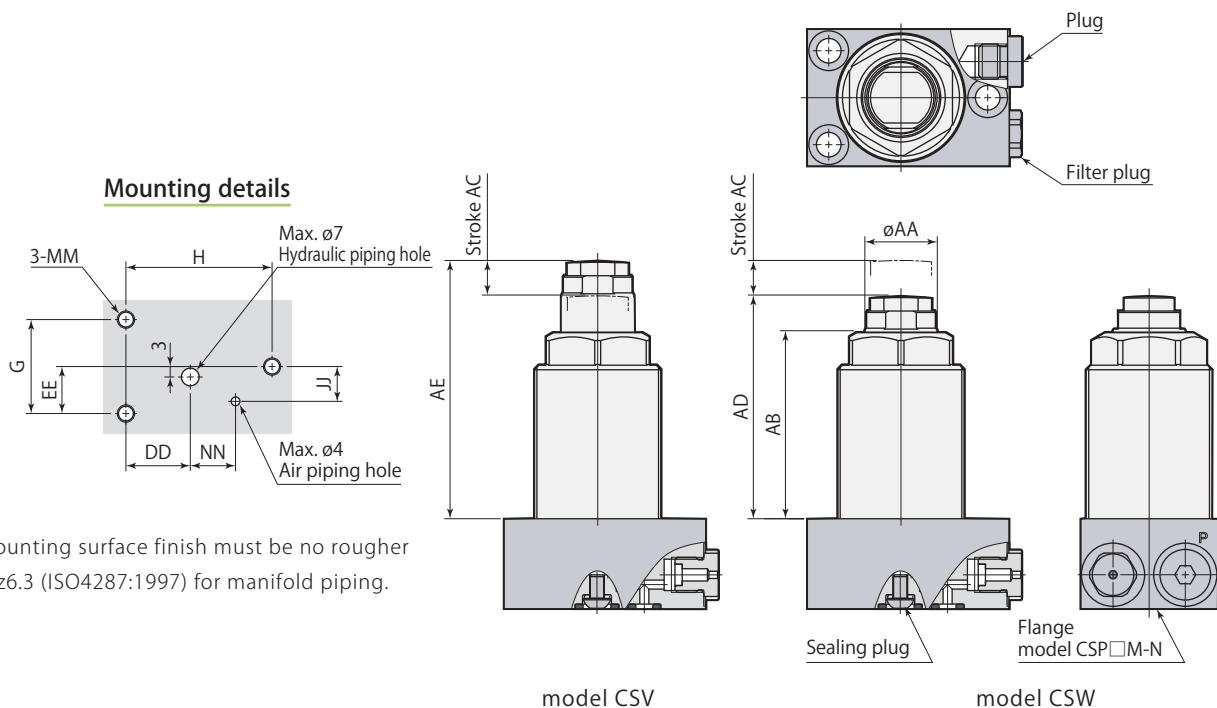
Manifold piping



\*: Install O-ring in the same way even when a flange is used for mounting. The O-ring is included in the package of the work support.

Flange is available for G port piping and manifold piping.

Work support mounting dimensions



The mounting surface finish must be no rougher than Rz6.3 (ISO4287:1997) for manifold piping.

model CSV

model CSW

<b>CSP□M-□</b>	<b>Work support</b>	<b>Option</b>
----------------	---------------------	---------------

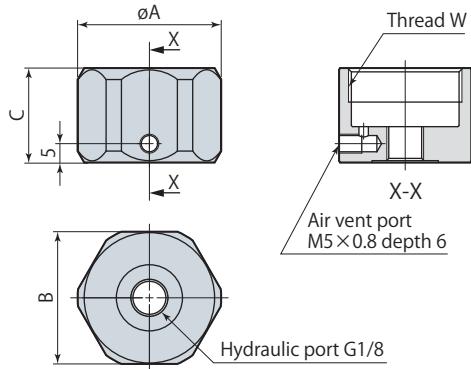
Flange	CSP06M-N		CSP10M-N	CSP16M-N	CSP25M-N
	CSW06M-L CSV06M-L	CSW06M-D	CSW10M-L CSV10M-L	CSW16M-L CSV16M-L	CSW25M-L CSV25M-L
A	49	49	56	66.5	83.5
B	38	38	38	60	75
C	25	25	25	25	30
D	21	21	26	29	36
E	19	19	19	30	37.5
F	5	5	6	6	8
G	28	28	26	48	59
H	37.5	37.5	44	54.5	68
J	20	20	20	24	30
K	9.5	9.5	11	11	14
L	6.5	6.5	8	8	11
M	5.5	5.5	6.8	6.8	8.5
N	16	16	17	22	25
P	9	9	9	9	12
R	15.5	15.5	15.5	15.5	20
øV	28.5	28.5	33.5	48.5	63.5
W	M30×1.5	M30×1.5	M35×1.5	M50×1.5	M65×1.5
O-ring FA (fluorocarbon hardness Hs70)	P6	P6	P6	P6	P6
O-ring FB (fluorocarbon hardness Hs90)	P9	P9	P9	P9	P9
øAA	16	16	20	30	40
AB	42.5	49.5	51.5	56.3	62
AC	8	15	10	10	13
AD	51.5	58.5	61.5	68.5	76
AE	59.5	–	71.5	78.5	89
DD	16	16	20	23	28
EE	14	14	13	24	29.5
JJ	10	10	10	12	15
MM	M5	M5	M6	M6	M8
NN	12	12	13	15.5	22.5

- Remove the plug of fitting port to be used when mounting.
- Mounting screws are not included.
- If the air vent is directly subjected to the coolant, extend the piping to a location that is not subjected to the coolant and make the air vent open to atmosphere.

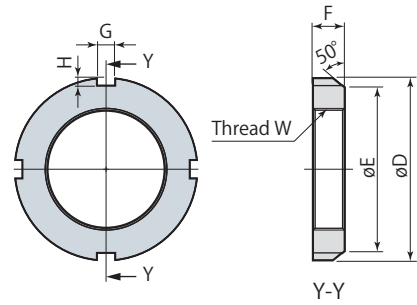
Piping cap, locknut



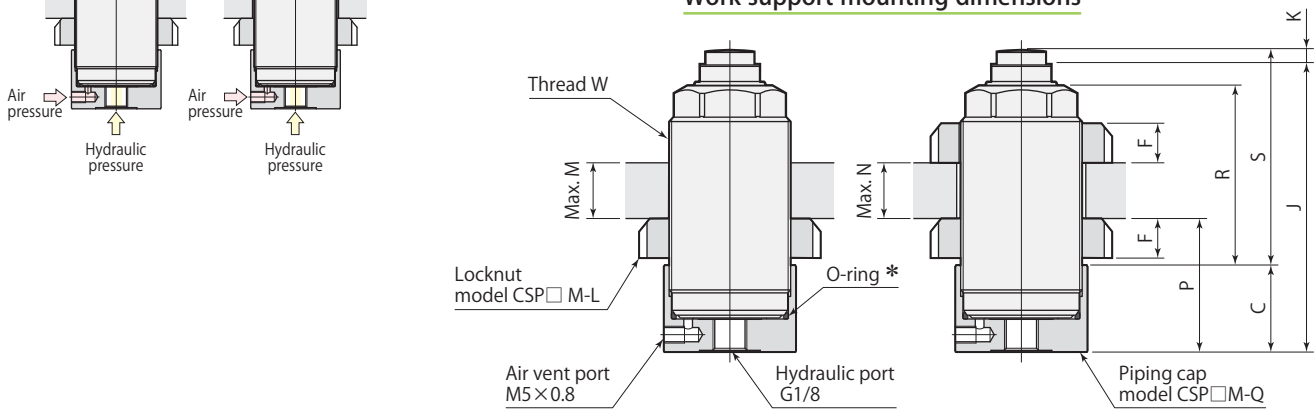
Piping cap



Locknut



Work support mounting dimensions

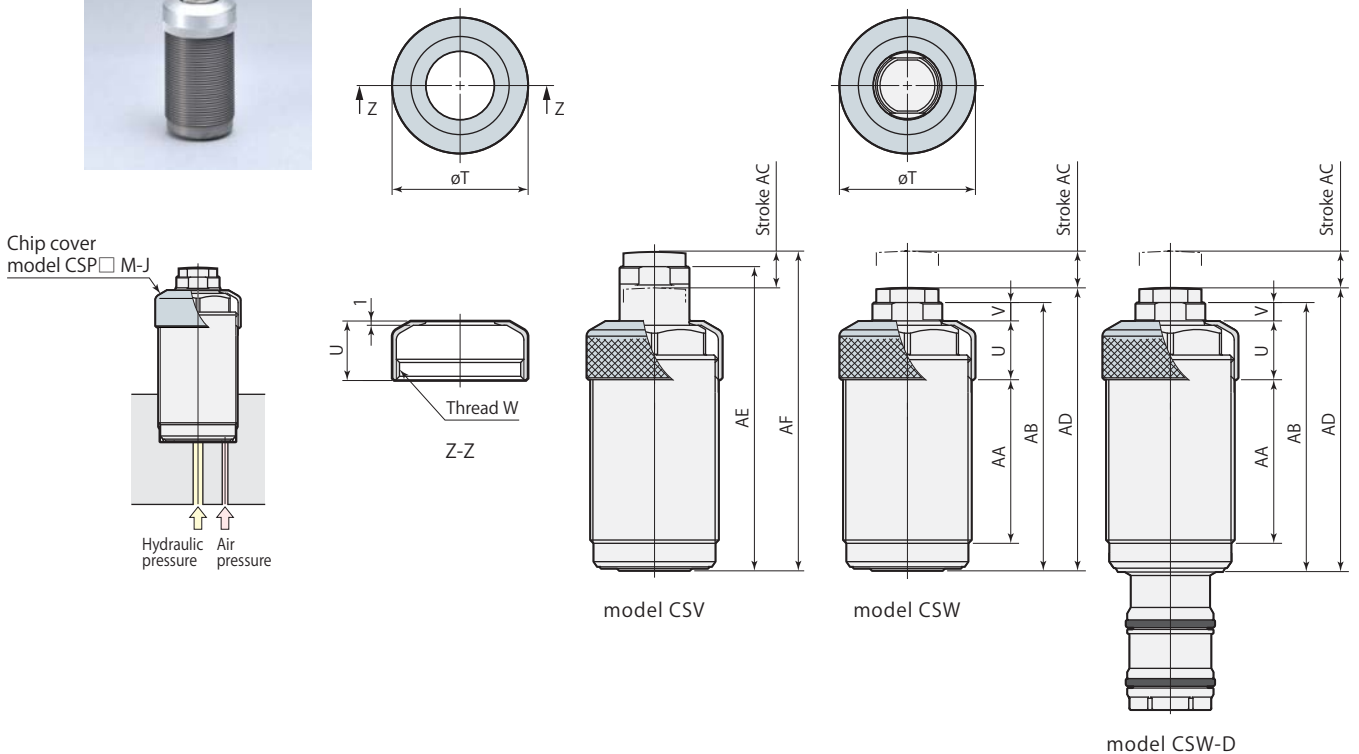


\*: Install O-ring in the same way even when a piping cap is used for mounting. The O-ring is included in the package of the work support.

Chip cover



Work support mounting dimensions



Work support

CSP

<b>CSP□M-□</b>	<b>Work support</b>	<b>Option</b>
----------------	---------------------	---------------

mm

Piping cap	CSP06M-Q		CSP10M-Q	CSP16M-Q	CSP25M-Q
Locknut	CSP06M-L		CSP10M-L	CSP16M-L	CSP25M-L
Work support	CSW06M-L CSV06M-L	CSW06M-D	CSW10M-L CSV10M-L	CSW16M-L CSV16M-L	CSW25M-L CSV25M-L
øA	38	38	41	60	76
B	35	35	38	55	70
C	25	25	25	25	28.5
øD	45	45	52	70	85
øE	38	38	44	61	79
F	7	7	8	11	12
G	5	5	5	6	7
H	2	2	2	2.5	3
J*	72.5	79.5	82.5	87.5	98.5
K	4	4	4	6	7
M	26.5	33.5	32.5	30.9	35
N	19.5	26.5	24.5	19.9	23
P	33	33	34	37	41.5
R	42.5	49.5	51.5	56.3	63
S*	51.5	58.5	61.5	68.5	77
W	M30×1.5	M30×1.5	M35×1.5	M50×1.5	M65×1.5

\*: Stroke length to be added on J and S dimension when mounting on model CSV.

mm

Chip cover	CSP06M-J		CSP10M-J	CSP16M-J	CSP25M-J
Work support	CSW06M-L CSW-D06M-L CSV06M-L	CSW06M-D CSW-D06M-D	CSW10M-L CSW-D10M-L CSV10M-L	CSW16M-L CSW-D16M-L CSV16M-L	CSW25M-L CSW-D25M-L CSV25M-L
øT	32	32	37	52	68
U	14	14	16	20	21
V	4	4	5	5.2	6
W	M30×1.5	M30×1.5	M35×1.5	M50×1.5	M65×1.5
AA	37.5	44.5	44.5	45.3	54
AB	63	70	73	78	89
AC	8	15	10	10	13
AD	67	74	77	84	96
AE	71	-	83	88	102
AF	75	-	87	94	109