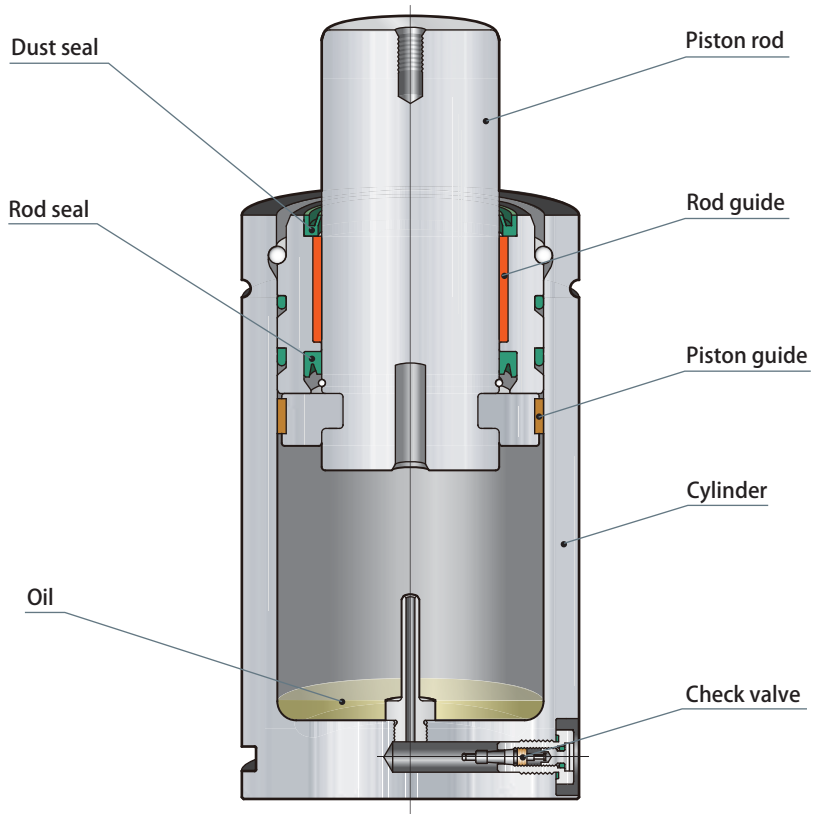
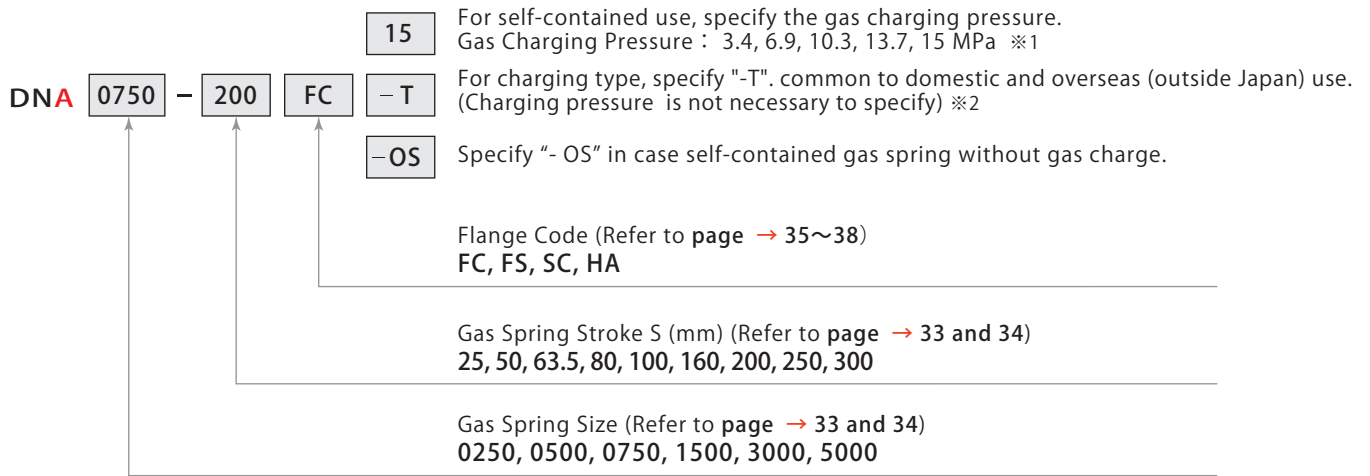


model DNA



Gas spring and Mounting flange

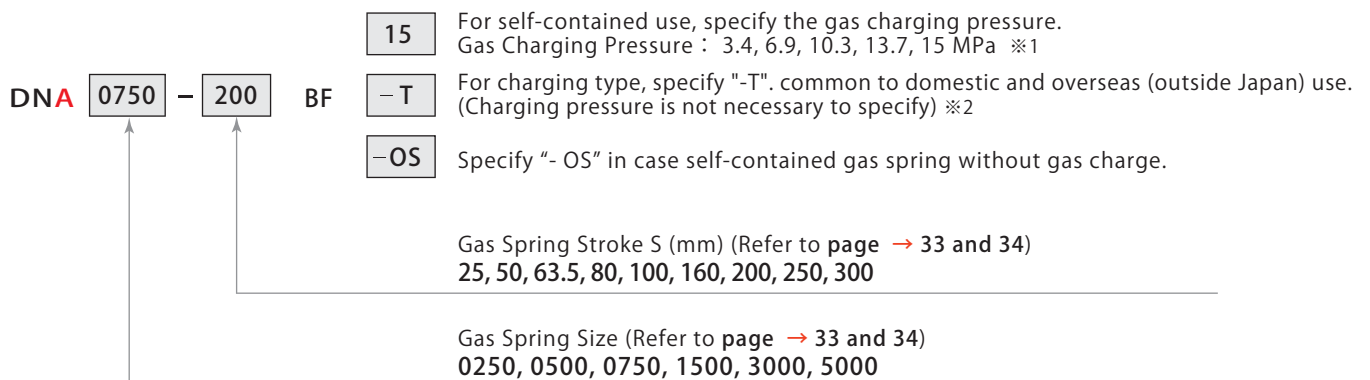
Example : **DNA**0750-200FC-T



- ※1. Choose one of the recommended gas pressure levels shown above. For the charging pressure other than above, specify the pressure to one digit after the decimal point. The gas charging range is 3.4 MPa to 15 MPa at 20°C.
- ※2. Check valve is not mounted at shipment.

Gas spring

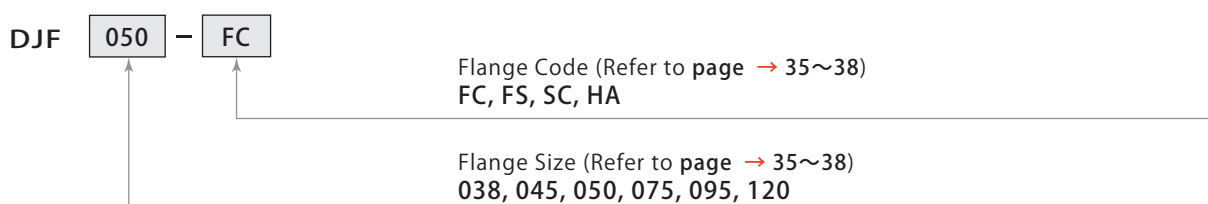
Example : **DNA**0750-200BF15



- ※1. Choose one of the recommended gas pressure levels shown above. For the charging pressure other than above, specify the pressure to one digit after the decimal point. The gas charging range is 3.4 MPa to 15 MPa at 20°C.
- ※2. Check valve is not mounted at shipment.

Mounting flange

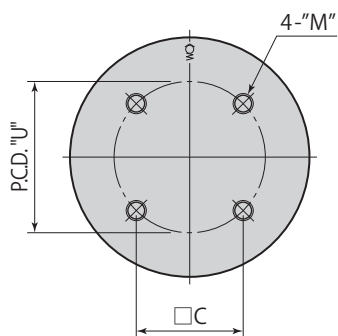
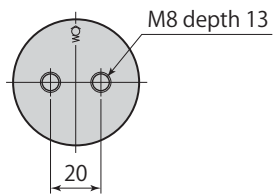
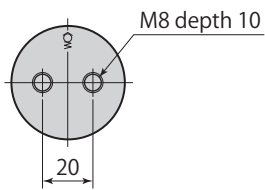
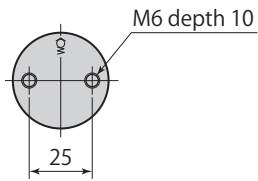
Example : **DJF**050-FC



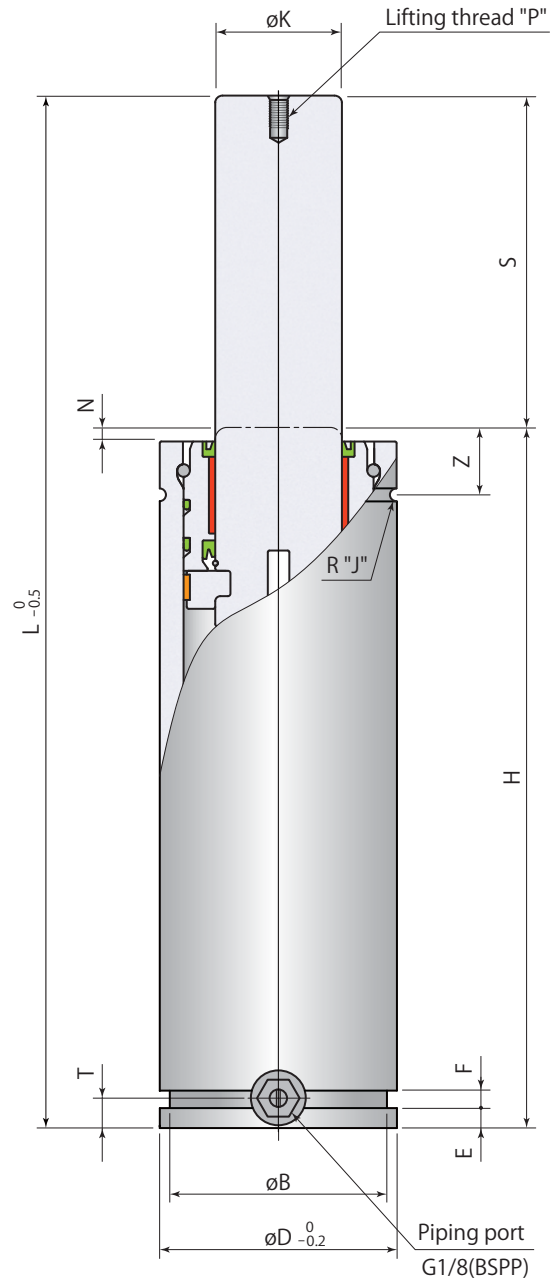
Model	Stroke S mm	Initial force kN	Full stroke load kN	Compression	Mass kg	L mm	H mm	mm		
DNA0250-	25	25	2.65	3.52	1.33	0.5	100	75	K = 15	P = M6 depth 11
	50	50	2.65	3.53	1.33	0.6	150	100	D = 38	T = 10.5
	63.5	63.5	2.65	3.53	1.33	0.7	177	113.5	B = 33	J = 1
	80	80	2.65	3.53	1.33	0.7	210	130	N = 2	Z = 12.5
	100	100	2.65	3.53	1.33	0.8	250	150	E = 4	F = 4
DNA0500-	25	25	4.71	6.23	1.32	1.1	135	110	K = 20	P = M8 depth 8
	50	50	4.71	6.54	1.39	1.2	185	135	D = 45	T = 15.5
	63.5	63.5	4.71	6.62	1.41	1.4	212	148.5	B = 40	J = 1
	80	80	4.71	6.69	1.42	1.5	245	165	N = 2	Z = 16.5
	160	160	4.71	6.82	1.45	2.0	405	245	E = 4	F = 4
DNA0750-	160	160	7.36	11.7	1.59	2.7	415	255	K = 25	P = M8 depth 13
	200	200	7.36	11.8	1.60	3.1	495	295	D = 50	T = 12.5
	250	250	7.36	11.8	1.61	3.5	595	345	B = 43	J = 2
	300	300	7.36	11.9	1.61	4.0	695	395	N = 3	Z = 17.5
DNA1500-	160	160	15.3	23.1	1.51	6.4	430	270	E = 8	F = 7
	200	200	15.3	23.2	1.52	7.2	510	310	K = 36	P = M8 depth 13
									D = 75	T = 12
									B = 67	J = 2.5
DNA3000-	160	160	29.5	48.2	1.64	11.1	440	280	N = 3	Z = 21
	200	200	29.5	49.0	1.66	12.6	520	320	E = 8	C = 28.3
									F = 7	U = 40
										M = M8 depth 15
DNA5000-	160	160	49.8	79.4	1.60	18.9	460	300	K = 50	P = M8 depth 13
	200	200	49.8	81.4	1.64	21.3	540	340	D = 95	T = 12
									B = 87	J = 2.5
									N = 3	Z = 24
								E = 8	C = 42.4	
								F = 7	U = 60	
									M = M8 depth 13	
									K = 65	P = M8 depth 13
									D = 120	T = 12
									B = 112	J = 2.5
									N = 3	Z = 25.5
									E = 8	C = 56.6
									F = 7	U = 80
										M = M10 depth 15

Showing the figures at initial charging pressure 15MPa at 20°C

Cylinder base  
mm

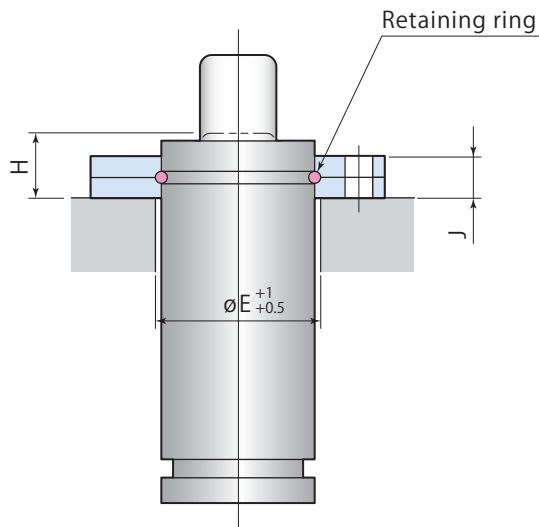
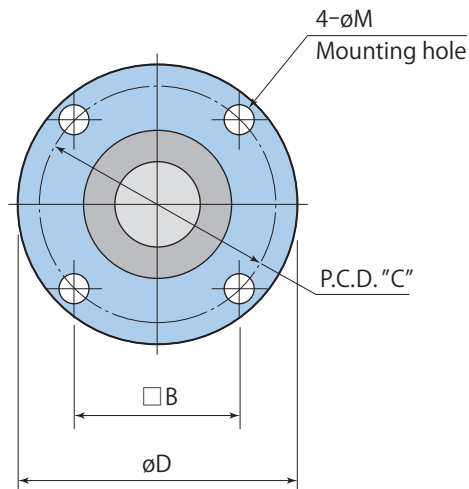


Dimensions



**⚠** Tips for stroke selection

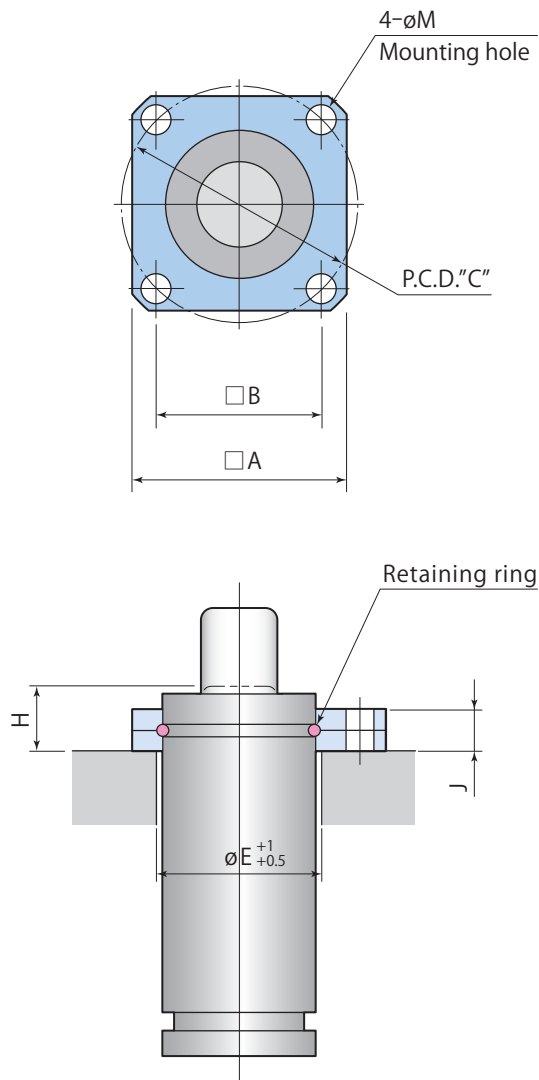
Use gas spring stroke as long as possible to ensure optimal performance of lubrication inside the cylinder.



Note: Fc flanges are designed with sufficient strength to accommodate the loading.  
 (The flange should support the load by its full mounting face, and should be mounted by 4 screws.)

Gas spring model	Flange model	B mm	C mm	D mm	E mm	H mm	J mm	M mm	Mass kg
<b>DNA0250</b>	DJF038-FC	40	56.5	68	38	17	9	6.8	0.17
<b>DNA0500</b>	DJF045-FC	50	70.7	86	45	23	13	9	0.40
<b>DNA0750</b>	DJF050-FC	56.5	80	95	50	24	13	9	0.50
<b>DNA1500</b>	DJF075-FC	73.5	104	122	75	29	16	11	0.88
<b>DNA3000</b>	DJF095-FC	92	130	150	95	33	18	14	1.44
<b>DNA5000</b>	DJF120-FC	109.5	155	175	120	36	21	14	2.03

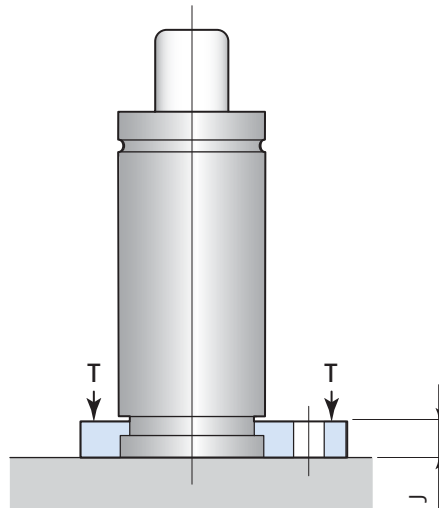
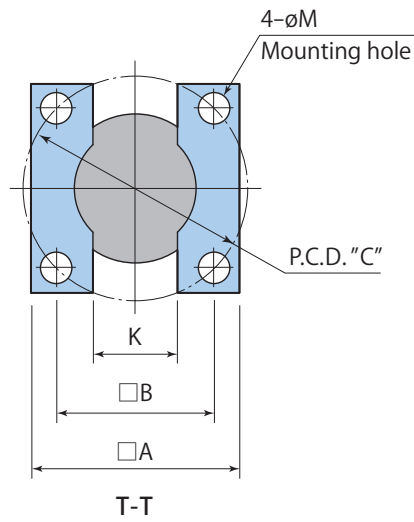
Flange mounting screws are not included.



Note: Fs flanges are designed with sufficient strength to accommodate the loading.  
 (The flange should support the load by its full mounting face, and should be mounted by 4 screws.)

Gas spring model	Flange model	A mm	B mm	C mm	E mm	H mm	J mm	M mm	Mass kg
<b>DNA0250</b>	DJF038-FS	52	40	56.5	38	17	9	6.8	0.12
<b>DNA0500</b>	DJF045-FS	64	50	70.7	45	23	13	9	0.25
<b>DNA0750</b>	DJF050-FS	70	56.5	80	50	24	13	9	0.30
<b>DNA1500</b>	DJF075-FS	90	73.5	104	75	29	16	11	0.44
<b>DNA3000</b>	DJF095-FS	110	92	130	95	33	18	14	0.65
<b>DNA5000</b>	DJF120-FS	130	109.5	155	120	36	21	14	0.85

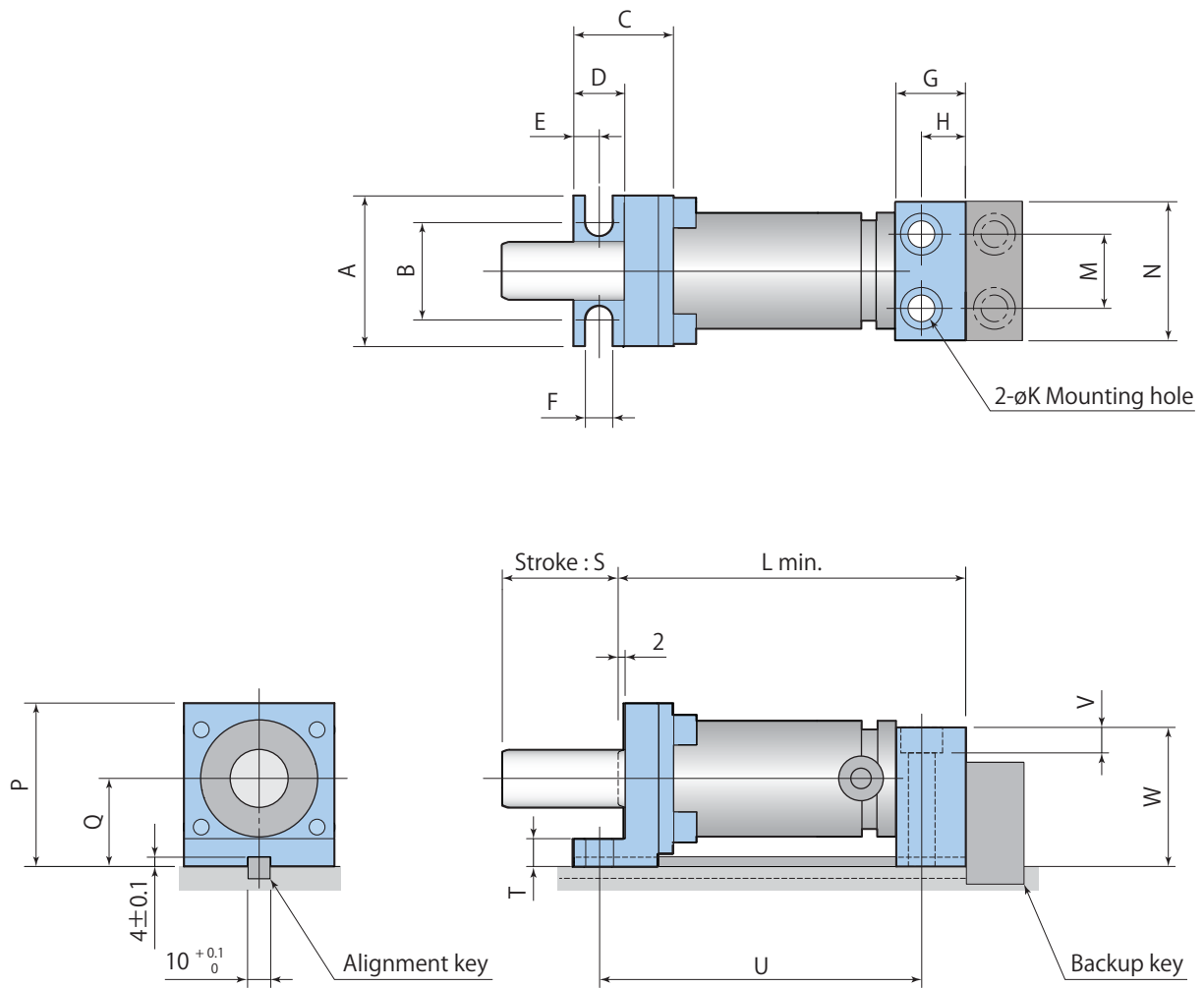
Flange mounting screws are not included



Note: The cylinder should be backed up fully at the bottom face.

Gas spring model	Flange model	A mm	B mm	C mm	J mm	K mm	M mm	Mass kg
<b>DNA0250</b>	DJF038-SC	55	40	56.5	6	17	6.8	0.07
<b>DNA0500</b>	DJF045-SC	70	50	70.7	6	20	9	0.12
<b>DNA0750</b>	DJF050-SC	75	56.5	80	12	31	9	0.22
<b>DNA1500</b>	DJF075-SC	100	73.5	104	12	36	11	0.39
<b>DNA3000</b>	DJF095-SC	120	92	130	12	32	14	0.54
<b>DNA5000</b>	DJF120-SC	140	109.5	155	12	40	14	0.64

Flange mounting screws are not included.



Note1 : Use a key groove of the flange when installation to avoid the side-load to the gas spring.  
 Note2 : Install a back up key at the back of flange to prevent the flange mounting screws from damage.

Gas spring mode	Flange model	L min. mm	U mm	A mm	B mm	C mm	D mm	E mm	F mm	G mm	H mm	K mm	M mm	N mm	P mm	Q mm	T mm	V mm	W mm	Mass kg
DNA0250	—																			
DNA0500	DJF045-HA	110+S	105+S	60	37	43	22	11	12	25	14	11	32	55	66	36	11	11	60	1.00
DNA0750	—																			
DNA1500	—																			
DNA3000	—																			
DNA5000	—																			

Flange mounting screws are not included.