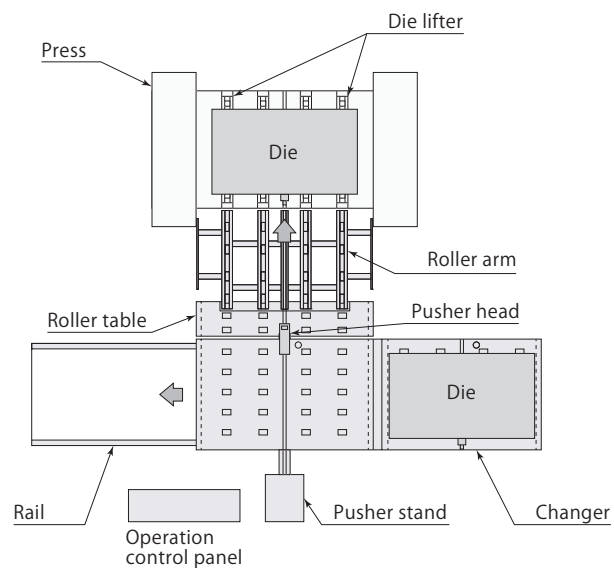


## 12,000kN press Die 12 ton × 2 dies



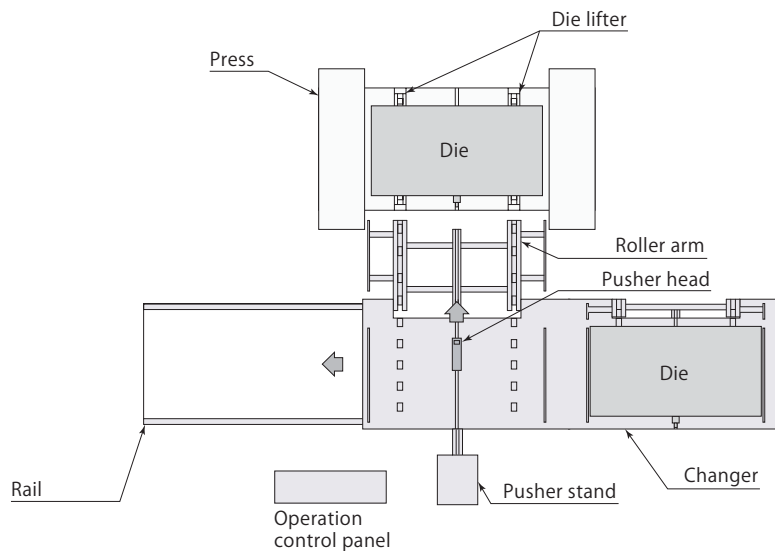
Bridging		Roller table with swing roller arm
Die loading		Separate pusher type
Capacity of press machine		12000 kN (1200 tonf)
Max. die weight		12 ton × 2 dies
Max. die size	mm	depth : 1400 × width : 3000
Changer traveling distance	m	3.3



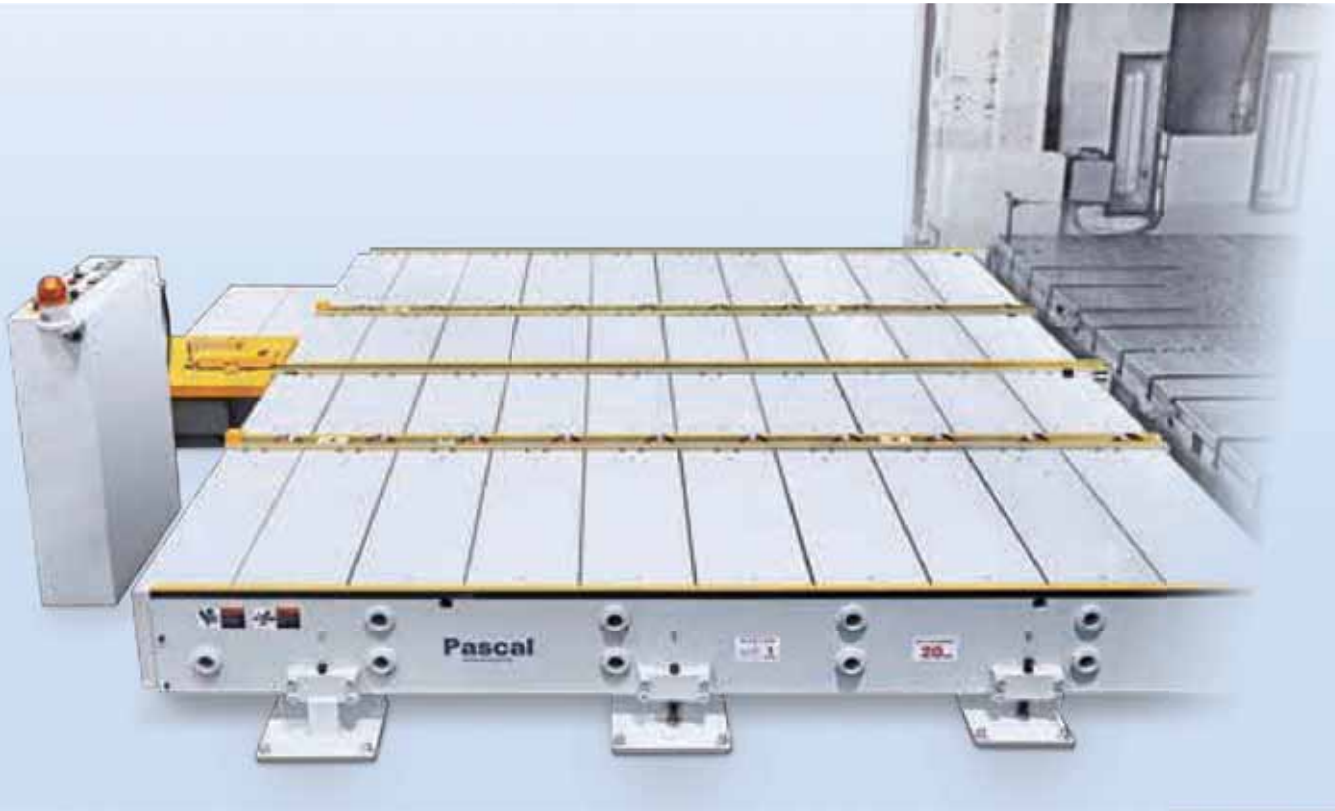
8,000kN press Die 2.8 ton × 2 dies



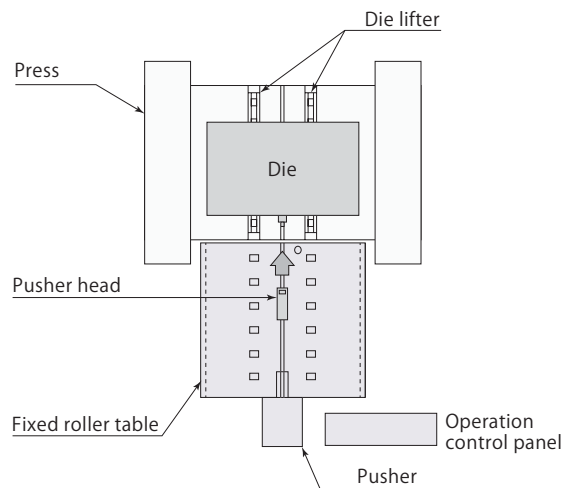
Bridging	Changer with swing roller arm (no roller table)
Die loading	Separate pusher type
Capacity of press machine	8000 kN (800 tonf)
Max. die weight	2.8 ton × 2 dies
Max. die size	mm depth : 1100 × width : 1700
Changer traveling distance	m Overall length 4.6 (Pitch 2.3)



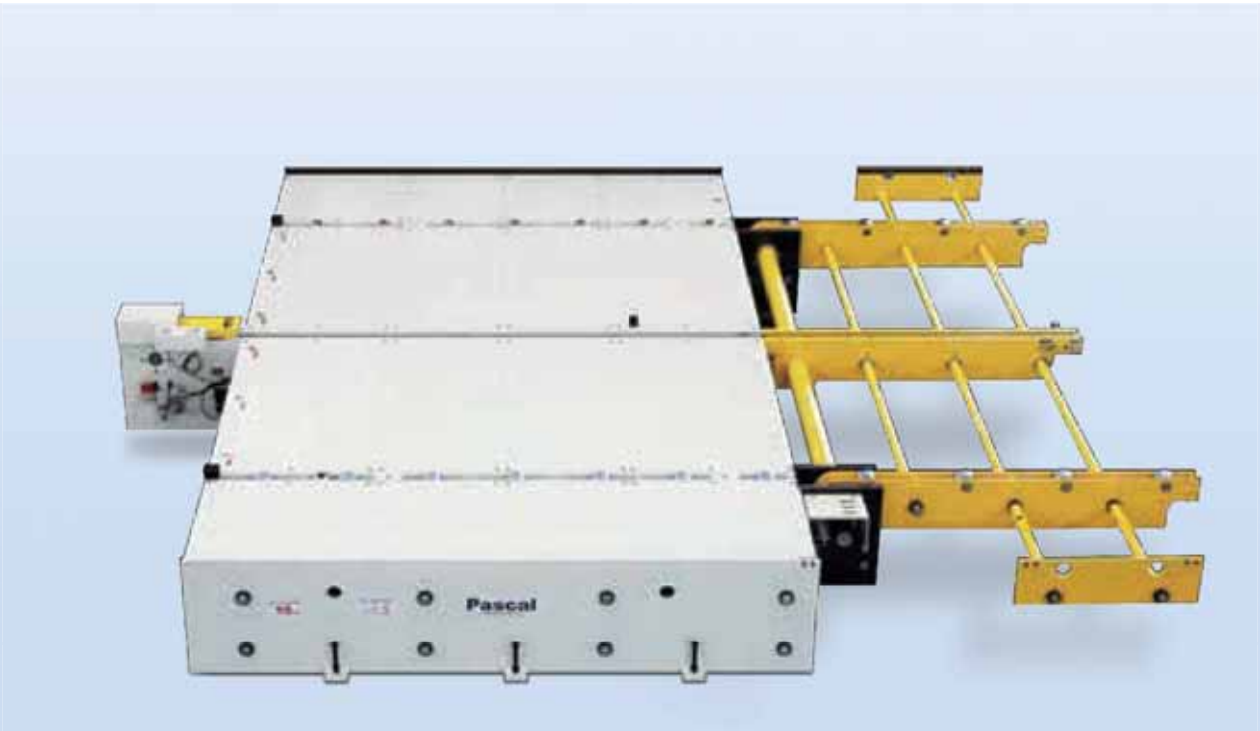
8,000kN press Die 20 ton × 1 die



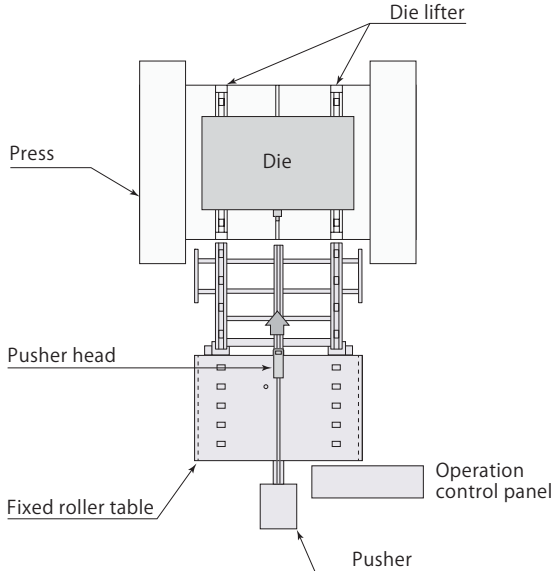
Fixed roller table	
Die loading	Pusher (mounted) type
Capacity of press machine	8000 kN (800 tonf)
Max. die weight	20 ton × 1 die
Max. die size	mm depth : 2200 × width : 3700



6,300kN press Die 10 ton × 1 die



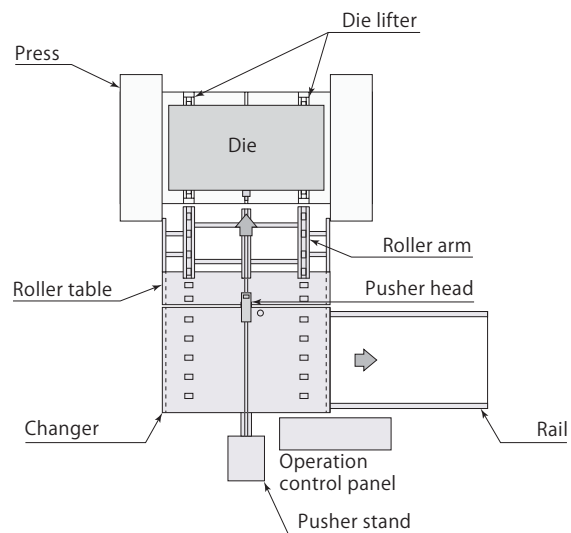
Die stage	
Die loading	Pusher (mounted) type
Capacity of press machine	6300 kN (630 tonf)
Max. die weight	10 ton × 1 die
Max. die size	mm depth : 1500 × width : 3650



5,000kN press Die 6 ton × 1 die



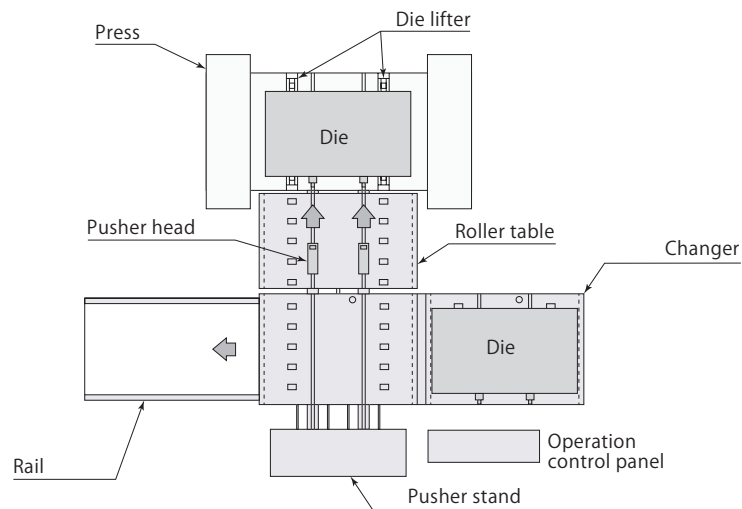
Bridging		Roller table with swing roller arm
Die loading		Separate pusher type
Capacity of press machine		5000 kN (500 tonf)
Max. die weight		6 ton × 1 die
Max. die size	mm	depth : 900 × width : 2800
Changer traveling distance	m	Overall length 4.5



3,000kN press Die 4 ton × 2 dies



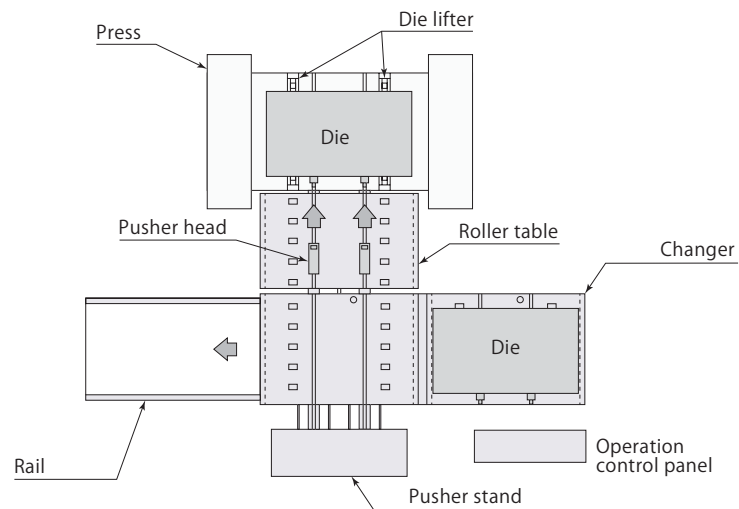
Bridging		Roller table type
Die loading		Separate pusher (2 pusher head) type
Capacity of press machine		3000 kN (300 tonf)
Max. die weight		4 ton × 2 dies
Max. die size	mm	depth : 800 × width : 2100
Changer traveling distance	m	2.3



## 3,000kN press Die 4 ton × 2 dies



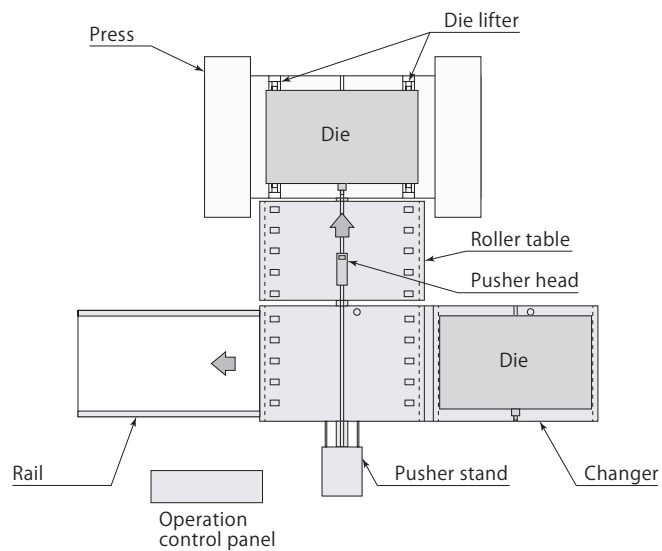
Bridging		Roller table type
Die loading		Separate pusher (2 pusher head) type
Capacity of press machine		3000 kN (300 tonf)
Max. die weight		4 ton × 2 dies
Max. die size	mm	depth : 800 × width : 2100
Changer traveling distance	m	2.3



3,000kN press Die 2.5 ton × 2 dies



Bridging		Roller table type
Die loading		Separate pusher type
Capacity of press machine		3000 kN (300 tonf)
Max. die weight		2.5 ton × 2 dies
Max. die size	mm	depth : 700 × width : 1700
Changer traveling distance	m	1.9

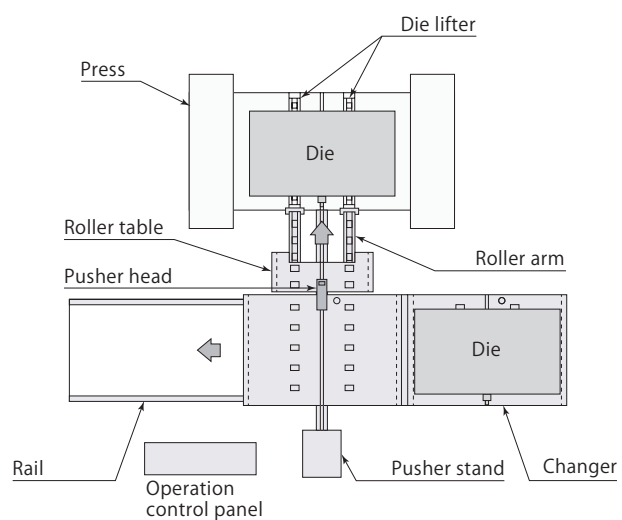




## 3,000kN press Die 5 ton × 2 dies



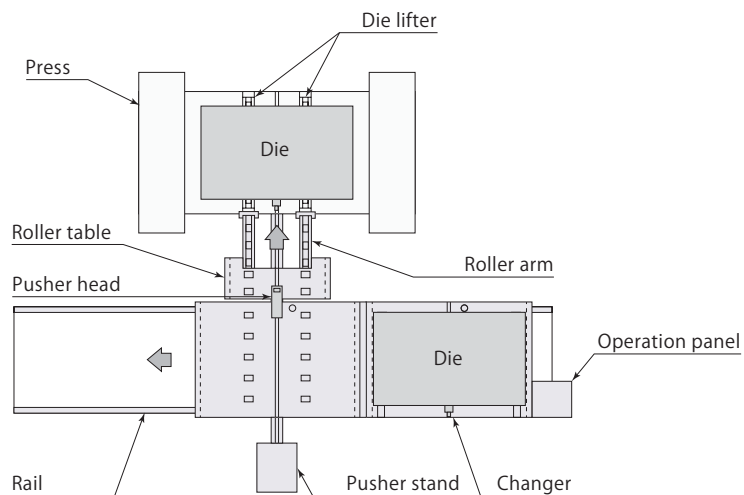
Bridging		Roller table with swing roller arm
Die loading		Separate pusher type
Capacity of press machine		3000 kN (300 tonf)
Max. die weight		5 ton × 2 dies
Max. die size	mm	depth : 1200 × width : 2450
Changer traveling distance	m	2.65



2,500kN press Die 2.5 ton × 2 dies



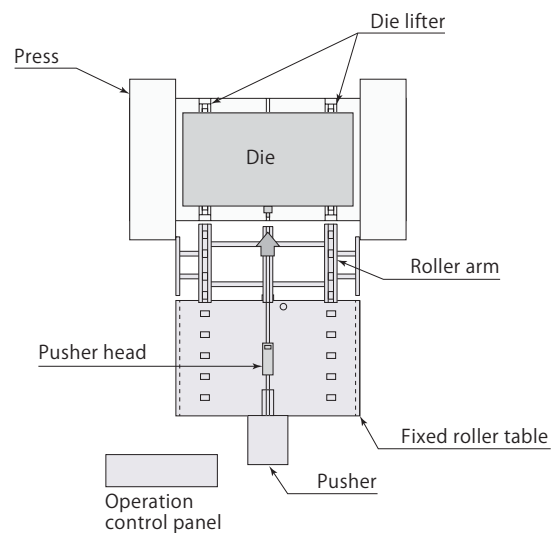
Bridging		Roller table with swing roller arm
Die loading		Separate pusher type
Capacity of press machine		2500 kN (250 tonf)
Max. die weight		2.5 ton × 2 dies
Max. die size	mm	depth : 800 × width : 2400
Changer traveling distance	m	2.6



## 2,000kN press Die 3 ton × 1 die



Fixed roller table with swing roller arm	
Die loading	Pusher (mounted) type
Capacity of press machine	2000 kN (200 tonf)
Max. die weight	3 ton × 1 die
Max. die size	mm depth : 650 × width : 1540



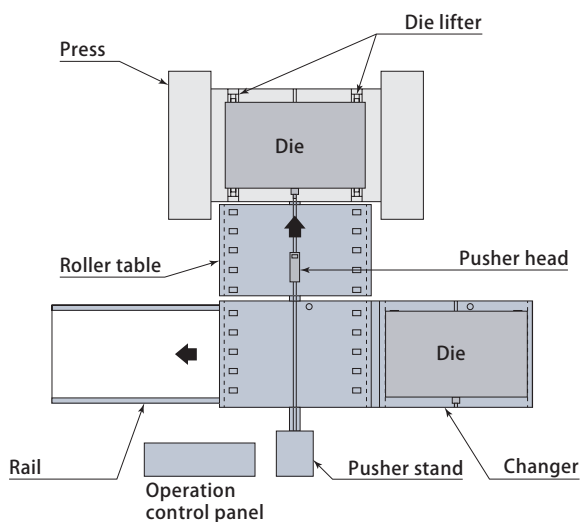
● Fill out the following table for a quotation.

Press machine	
Model of press machine	
Capacity of press machine	
New	Existing

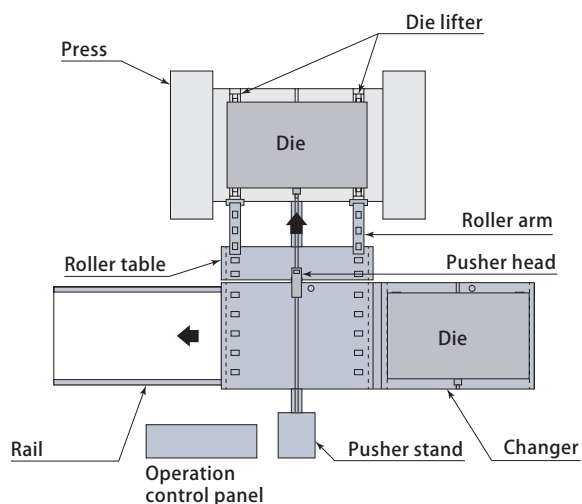
Die	
Max. die weight	
Max. die size	

● Select among layout 1 to 3 when 2-station shuttle type of changer is required.

1 Bridge roller table type



2 Roller table with swing roller arm



3 Changer with swing roller arm (no roller table)

